

Lighting Controls

DATE: _____ LOCATION: _____

TYPE: _____ PROJECT: _____

CATALOG #: _____

UL924 AUTOMATIC LOAD RELAY

EMERGENCY LIGHTING CONTROL

FEATURES

- Meets NEC Article 700 requirements for emergency lighting
- Dual voltage, 120 or 277V operation
- Normally closed contacts for emergency lighting
- Normally open contacts for 0–10V dimming override
- Provision for remote test button or fire alarm interface
- Multi-color function LED
- Suitable for use in return air plenums
- 5 year warranty



SPECIFICATIONS

CONSTRUCTION

- Flame retardant UL 94-5VA
- Thermoplastic
- Black Finish
- 15oz (425.24g)
- 4.0" L x 3.4" W x 1.73" H (101.6mm L x 86.36mm W X 43.94mm H)

INSTALLATION

- UL2043 Plenum rated for external junction box mounting via 1/2" nipple

INSTALLATION (CONTINUED)

- Relative humidity (non-condensing): 0 to 90%
- Operating Temperature: -40°F to 149°F (-40°C to 65°C)

ELECTRICAL

- 100–277VAC; 50/60Hz
- General Purpose: 15A, 120/277V
- Ballast: 20A, 120/277V
- HP Rating: ½ HP, 250V, ¼ HP, 120V
- Motor Controller Rating: ½ HP, 120V

CERTIFICATIONS

- UL/cUL, UL924 Listed for emergency lighting control

WARRANTY

- 5 year warranty

ORDERING GUIDE

Example: ALCR1227

CATALOG #

ALCR1277

Model

ALCR1277 UL924, Emergency load control relay, with 0–10V dimming override, 120 – 277VAC

Accessories

- LVS-ERTB-NP-WH Low Voltage Emergency Remote Test Button



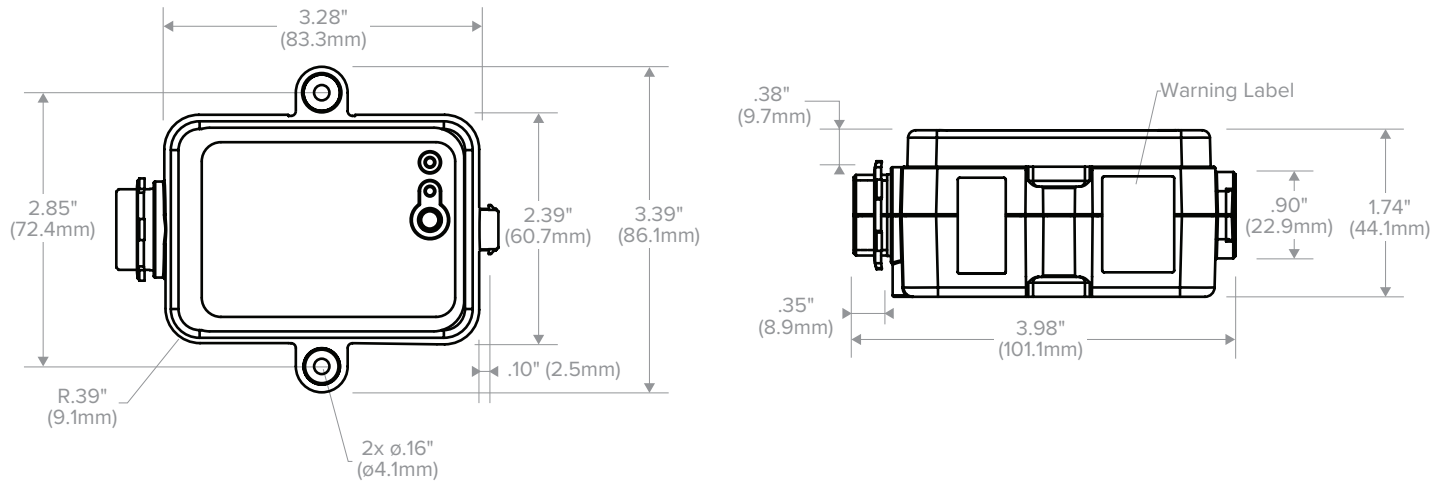
LVS-ERTB-NP-WH

Lighting Controls

UL924 AUTOMATIC LOAD RELAY

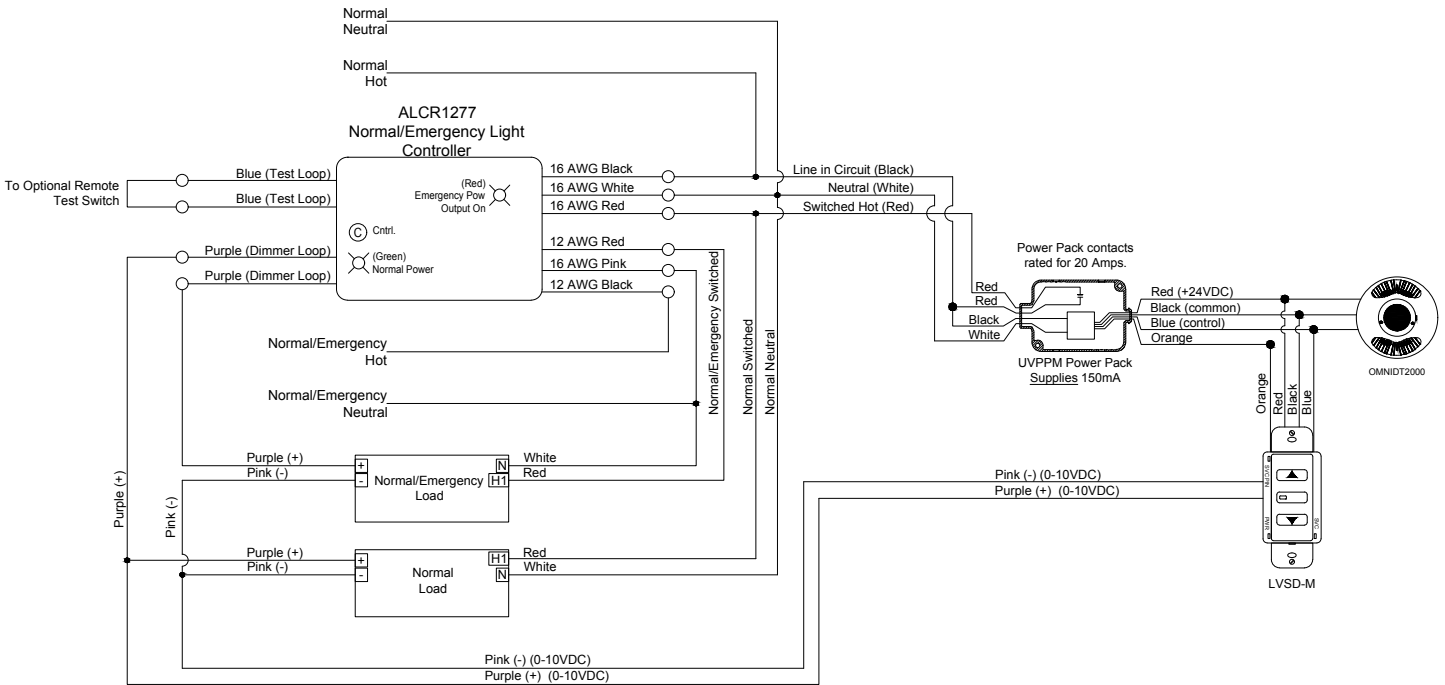
EMERGENCY LIGHTING CONTROL

DIMENSIONS



ADDITIONAL INFORMATION

Wiring Diagrams



Pink wire replaces previous gray wire. Units with a gray instead of pink wire should be wired as the pink wire shown in the diagram.

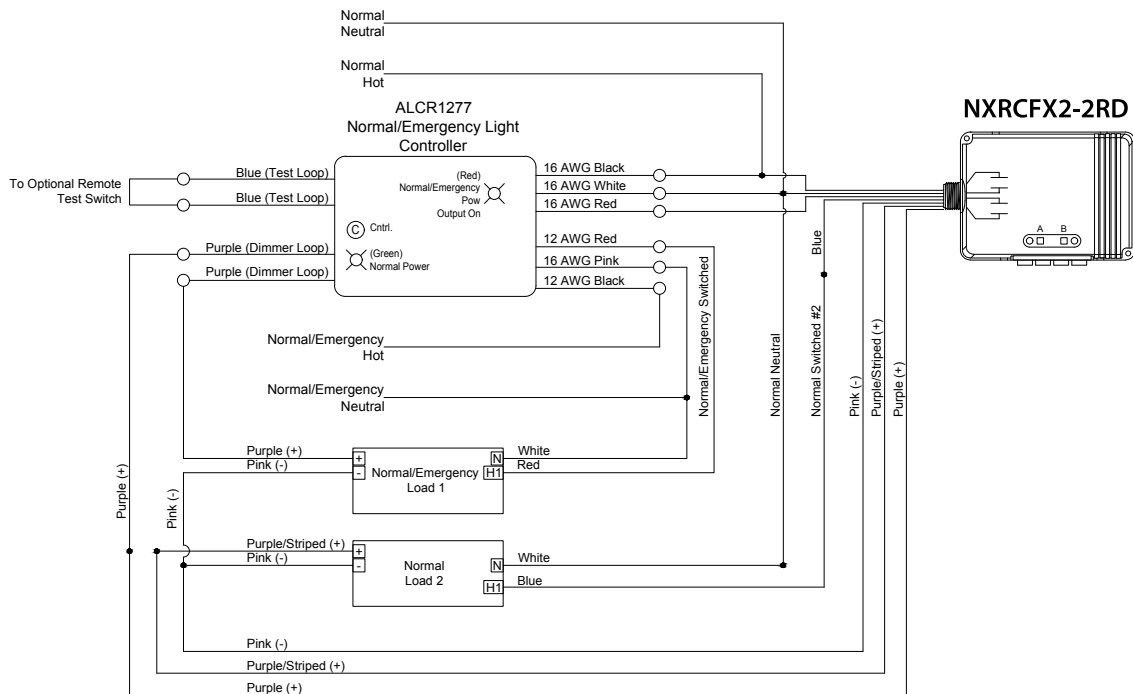
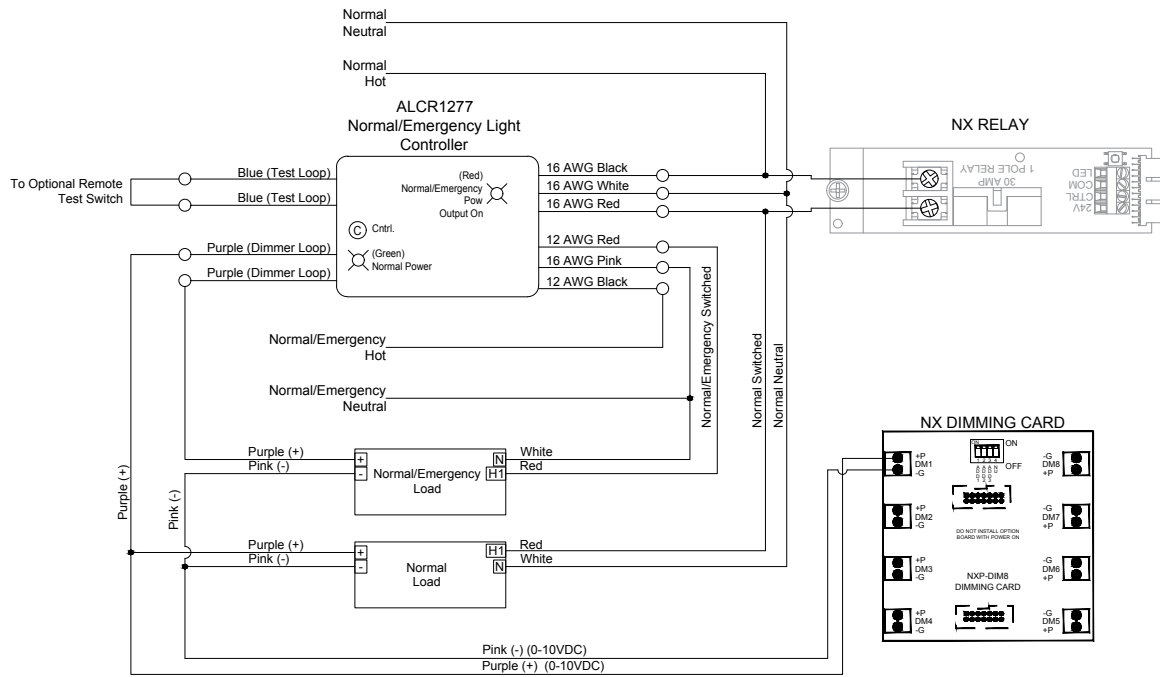
Lighting Controls

UL924 AUTOMATIC LOAD RELAY

EMERGENCY LIGHTING CONTROL

ADDITIONAL INFORMATION CONTINUED

Wiring Diagrams



Pink wire replaces previous gray wire. Units with a gray instead of pink wire should be wired as the pink wire shown in the diagram.

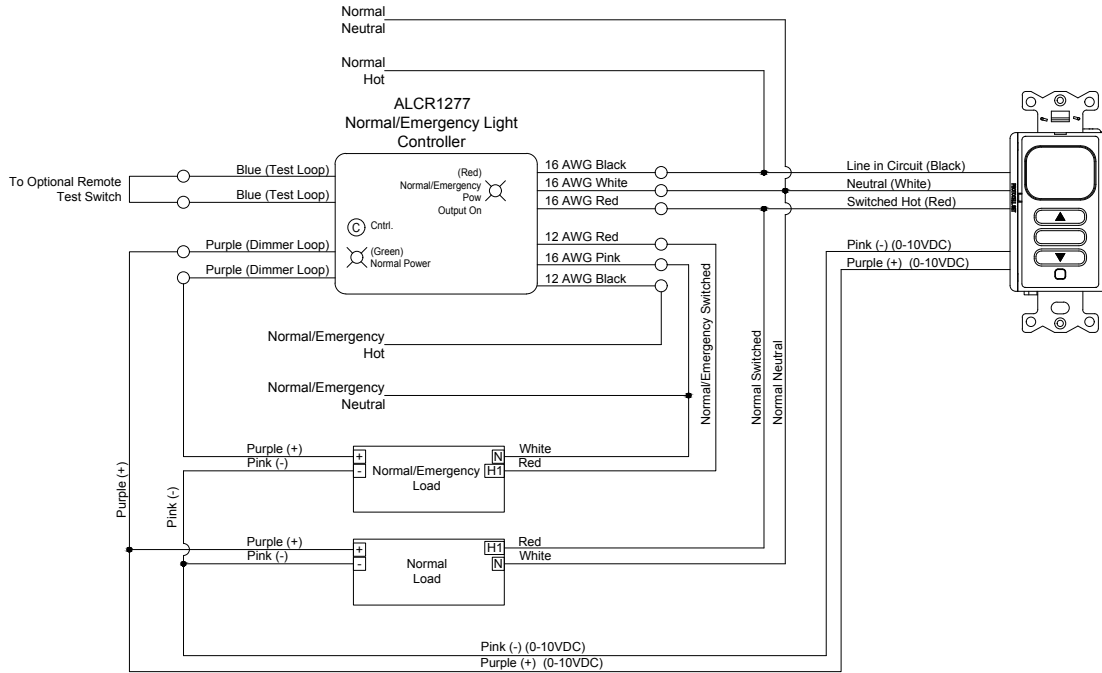
Lighting Controls

UL924 AUTOMATIC LOAD RELAY

EMERGENCY LIGHTING CONTROL

ADDITIONAL INFORMATION CONTINUED

Wiring Diagrams



Pink wire replaces previous gray wire. Units with a gray instead of pink wire should be wired as the pink wire shown in the diagram.