

# 4.75W Anti-Clipping Stereo Class D Audio Amplifier with Boost Converter

## FEATURE

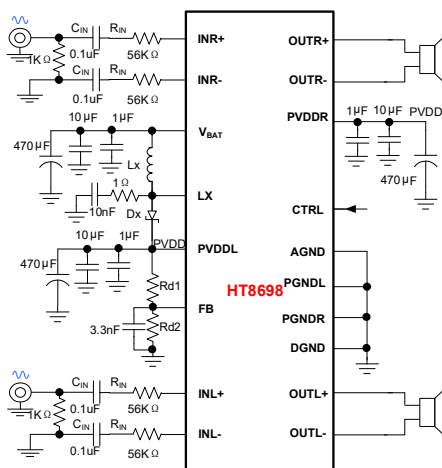
- Anti-Clipping Function (ACF)
- Filter-less Modulation, Eliminating Output Filter
- Output Power  
 $2 \times 4.75W (V_{BAT}=3.6V, PVDD = 6V, R_L=4\Omega, THD+N=10\%)$
- -BOOST Input  $V_{BAT}$ : 2.5V to 5.5V  
-BOOST Output PVDD:  $V_{BAT}$  to 7.0V
- Adjustable BOOST Output Voltage
- Class D and Class AB audio amplifier available
- Thermal Protection, Over current protection, Low voltage malfunction prevention function included
- Pb-Free Packages, TSSOP20L-PP

## APPLICATIONS

- Bluetooth Speakers
- Portable Speakers
- 2.1 Channel Speakers
- Megaphone
- iPhone/iPod/iPod docking
- MP4/GPS
- Tablet PC/Note Book
- Smart Phones
- LCD TV/Monitor
- Portable Gamers

Part No.	Available Working Mode
HT8698B6xxxx	Class D
HT8698P5xxxx	Class D and Class AB

## 典型应用图



## GENERAL DESCRIPTION

HT8698 integrates a boost converter with a filter-less stereo class D audio power amplifier to provide  $2 \times 4.75W$  continuous power into a  $4\Omega$  speaker when operating from a Li-battery voltage boosted to 6V. Meanwhile, the boost output voltage is adjustable.

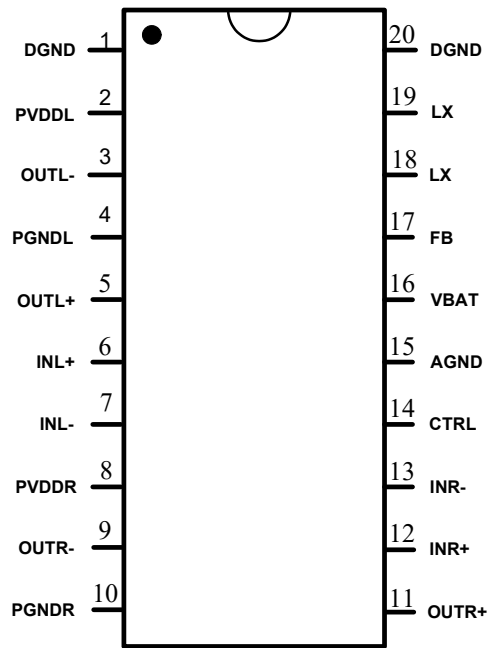
HT8698 features Anti-Clipping Function (ACF) which detects output signal clip due to the over input signal and suppresses the output signal clip automatically. Also, the ACF function can adapt the output clip caused by power supply voltage down with battery. It can significantly improve the sound quality, creating a very comfortable musical enjoyment, and to protect the speakers from overload damage. It also supplies ACF OFF mode.

Class AB amplifier mode is also available for HT8698. Once the EMI Interference from class D and Boost Converter becomes an annoying problem, HT8698 can be changed into Class AB mode.

HT8698 has a filter-less modulation circuit which directly drives speakers while realizes low distortion and low noise characteristics. Thanks to filter-less, circuit design with fewer external parts can be made in portable applications.

HT8698 has the independent Shutdown function which can minimize the power consumption at standby and MUTE function. As for protection function, over current protection, over temperature protection function, and low supply voltage malfunction preventing function are also prepared.

**■ TERMINAL CONFIGURATION**



TSSOP20L-PP Top View

**■ TERMINAL FUNCTION<sup>1</sup>**

TSSOP Terminal No.	Name	I/O	ESD Protection	Function
1,20	DGND	GND	-	Power Ground for Boost converter
2	PVDDL	Power	-	Boost Converter Output Voltage, Power Supply for Class D Left Channel
3	OUTL-	O	-	Left channel negative output terminal (BTL-)
4	PGNDL	GND	-	Power Ground for Class D Left Channel
5	OUTL+	O	-	Left channel positive output (BTL+)
6	INL+	I	PN	Left channel positive input terminal (differential +)
7	INL-	I	PN	Left channel negative input terminal (differential -)
8	PVDDR	Power	-	Boost Converter Output Voltage, Power Supply for Class D Right Channel
9	OUTR-	O	-	Right channel negative output terminal (BTL-)
10	PGNDR	GND	-	Power Ground for Class D Right Channel
11	OUTR+	O	-	Right channel positive output terminal (BTL+)
12	INR+	I	PN	Right channel positive input terminal (differential +)
13	INR-	I	PN	Right channel negative input terminal (differential -)
14	CTRL	I	PN	Shutdown, Class AB and ACF control terminal
15	AGND	GND	PN	Analog Ground
16	VBAT	Power	PN	Power Supply
17	FB	I	PN	Regulator Feedback Input
18,19	LX	I	-	Internal Switch Input

<sup>1</sup> I: Input O: Output

**ORDERING INFORMATION**

Part Number	Available Working Mode	Package Type	Marking	Operating Temperature Range	MOQ/Shipping Package
HT8698B6MTET	Class D	TSSOP20L-PP	HT8698 <sub>MTE</sub>	-40°C~85°C	Tube / 46 PCS
HT8698B6MTER	Class D	TSSOP20L-PP	HT8698 <sub>MTE</sub>	-40°C~85°C	Tape and Reel 3000PCS
HT8698P5MTET	Class D and Class AB	TSSOP20L-PP	HT8698 <sub>MTE</sub>	-40°C~85°C	Tube / 46 PCS
HT8698P5MTER	Class D and Class AB	TSSOP20L-PP	HT8698 <sub>MTE</sub>	-40°C~85°C	Tape and Reel 3000PCS

## IMPORTANT NOTICE

### 注意

Jiaxing Heroic Electronic Technology Co., Ltd (HT) reserves the right to make corrections, modifications, enhancements, improvements, and other changes to its products and services at any time and to discontinue any products or services. Customers should obtain the latest relevant information before placing orders and should verify that such information is current and complete.

嘉兴禾润电子科技有限公司（以下简称HT）保留对产品、服务、文档的任何修改、更正、提高、改善和其他改变，或停止提供任何产品和服务的权利。客户在下单和生产前应确保所得到的信息是最新、最完整的。

HT assumes no liability for applications assistance or customer product design. Customers are responsible for their products and applications using HT components.

HT对相关应用的说明和协助以及客户产品的板级设计不承担任何责任。

HT products are not authorized for use in safety-critical applications (such as life support devices or systems) where a failure of the HT product would reasonably be expected to affect the safety or effectiveness of that devices or systems.

HT的产品并未授权用于诸如生命维持设备等安全性极高的应用中。

The information included herein is believed to be accurate and reliable. However, HT assumes no responsibility for its use; nor for any infringement of patents or other rights of third parties which may result from its use.

本文中的相关信息是精确和可靠的，但HT并不对其负责，也不对任何可能的专利和第三方权利的伤害负责。

Following are URLs and contacts where you can obtain information or supports on any HT products and application solutions:

下面是可以联系到我公司的相关链接和联系方式：

### 嘉兴禾润电子科技有限公司 Jiaxing Heroic Electronic Technology Co., Ltd.

地址：浙江省嘉兴市凌公塘路3339号JRC大厦A座三层

Add: A 3rd floor, JRC Building, No. 3339, LingGongTang Road, Jiaxing, Zhejiang Province

Sales: 0573-82585539, sales@heroic.com.cn

Support: 0573-82586151, support@heroic.com.cn

Fax: 0573-82585078

Website: www.heroic.com.cn; wap.heroic.com.cn

Wechat MP: HEROIC\_JX

请及时关注禾润官方微信公众号，随时获取最新产品信息和技术资料！

