



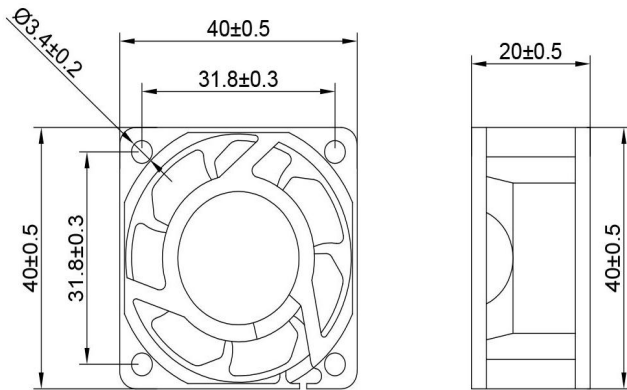
DC BRUSHLESS FAN

AF7D4020 40*40*20mm

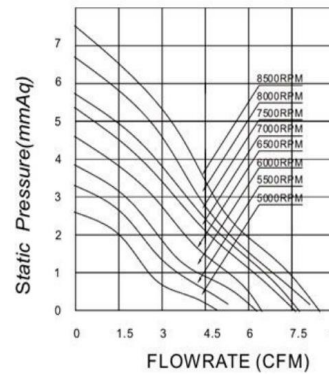
Motor:DC Brushless
 Bearing:Ball ,Sleeve, Hydraulic
 外壳框Shell frame: PBT UL94V-0
 扇叶Fan blade: PBT UL94V-0
 Insulation:Class B
 Wire:AWG#26UL 1007 (optional)
 PIN1:BLACK WIRE----(-)
 PIN2:RED WIRE----(+)



DIMENSIONS DRAWING(unit:mm)



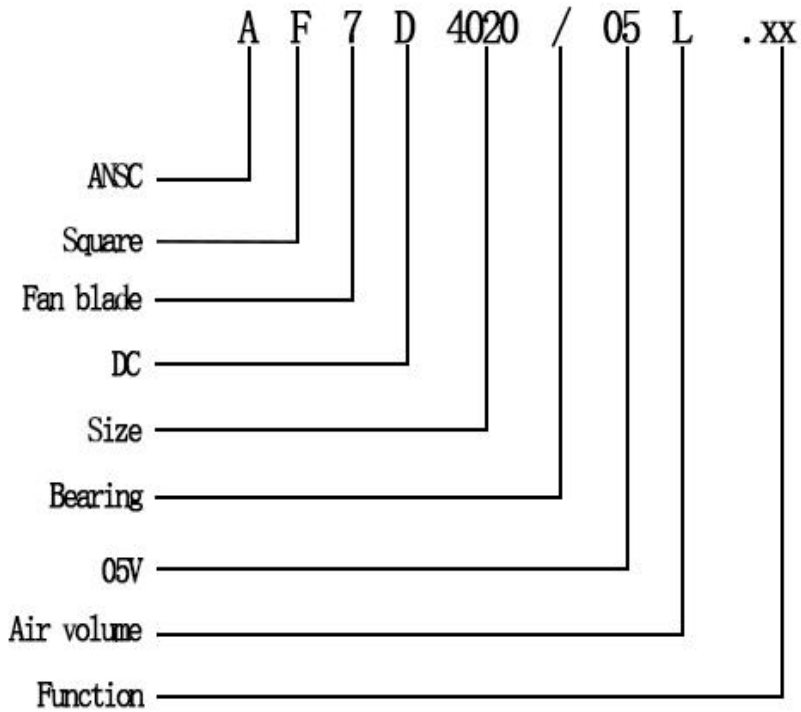
P@Q CURVE(AT RATEDVOLTAGE)



Model	/	Rated Voltage	Operating voltage range	Rated current	Rated input power	Speed	Maximum air Flow		Maximum Air pressure		Noise
		VDC	VDC	Amp	Watt	R. P. M	M3/min	CFM	mmH2O	InH2O	dB-A
PART. NO.											
AF7D4020/05L. xx	Bearing Mode①	5	1.8~3~6.8	0.15	0.72	5000	0.147	5.19	2.62	0.103	20.9
AF7D4020/05LM. xx		5	1.8~3~6.8	0.17	0.84	6000	0.182	6.41	3.87	0.152	26.7
AF7D4020/05M. xx		5	1.8~3~6.8	0.19	0.96	6500	0.195	6.87	4.6	0.181	29.1
AF7D4020/05H. xx		5	1.8~3~6.8	0.22	1.08	7500	0.224	7.9	5.78	0.228	32.7
AF7D4020/05HH. xx		5	1.8~3~6.8	0.24	1.2	8500	0.248	8.77	7.52	0.296	37.2
AF7D4020/12L. xx		12	7~13.5	0.06	0.72	5000	0.147	5.19	2.62	0.103	20.9
AF7D4020/12LM. xx		12	7~13.5	0.07	0.84	6000	0.182	6.41	3.87	0.152	26.7
AF7D4020/12M. xx		12	7~13.5	0.08	0.96	6500	0.195	6.87	4.6	0.181	29.1
AF7D4020/12H. xx		12	7~13.5	0.09	1.08	7500	0.224	7.9	5.78	0.228	32.7
AF7D4020/12HH. xx		12	7~13.5	0.1	1.2	8500	0.248	8.77	7.52	0.296	37.2
AF7D4020/24M. xx		24	18~26.5	0.04	0.96	6500	0.195	6.87	4.6	0.181	29.1
AF7D4020/24H. xx		24	18~26.5	0.045	1.08	7500	0.224	7.9	5.78	0.228	32.7
AF7D4020/24HH. xx		24	18~26.5	0.05	1.2	8500	0.248	8.77	7.52	0.296	37.2

- ① Bearing Mode: Ball / Sleeve / Hydraulic / Ball (UL) / Sleeve (UL) Hydraulic (UL)
- ② x=Function: FG RD RDL LD PWM TP VC RC CS RP SS AS CL IPX5
- ③ x=Plug
- ④ C=Customized by customers: Air volume, Air duct, Movement, Service life, Temperature, Noise, Material, Mold. etc.

导引：编码规则 Code Rule



*PROPRIETARY AND CONFIDENTIAL , THE INFORMATION CONTAINED IN THIS DRAWING IS THE SOLE PROPERTY OF <ALL NEW SEMI CO >. ANY REPRODUCTION IN PART OR AS A WHOLE WITHOUT THE WRITTEN PERMISSION OF <ALL NEW SEMI CO> IS PROHIBITED.

<https://allnewsemi.com/>