

UNIK 5800/5900

Flameproof/Explosion-Proof Pressure Sensing Platform



The 5800 and 5900 are compact and rugged versions of the high performing UNIK 5000 pressure sensing platform. Both the 5800 and 5900 offer flameproof/explosion-proof or dust ignition protection by enclosure capability. They provide a lightweight and cost effective alternative to pressure gauges and switches in process, as well as, in oil and gas operations.

High Quality

With 35 years of pressure measurement experience, our field-proven Druck technology is at the heart of the new platform, resulting in a range of high quality, high stability pressure sensors.

Bespoke as Standard

Custom-built from standard components, manufacturing sensors to your requirement is fast and simple; each UNIK 5000 is a “bespoke” pressure sensing solution, but with the short lead times and competitive pricing you would expect from standard products.

Expertise

We have the people and the knowledge to support your needs for accurate and reliable product performance; our team of experts can help you make the right sensor selection, guiding you and providing the help and tools you need. It is important that you ensure that the sensor materials and performance selected are suitable for your application.



Features

- Ranges from 2 to 700 bar (30 to 10000 psi)
- Accuracy to $\pm 0.04\%$ Full Scale (FS)
Best Straight Line (BSL)
- Stainless Steel construction
- Integrated terminal compartment with long or short body (5900)
- Frequency response to 3.5 kHz
- High over pressure capability
- Hazardous Area certifications
- mV, mA and voltage outputs
- Oil and drilling fluid (mud) resistant cable option (5800)
- SIL certified version available (see separate datasheet)

UNIK 5800/5900 Specifications

Measurement

Operating Pressure Ranges

Gauge Ranges

Any zero based range from 2 to 50 bar
(30 to 725 psi)

Sealed Gauge Ranges

Any zero based range from 10 to 700 bar
(145 to 10000 psi)

Absolute Ranges

Any zero based range from 2 to 700 bar
(30 to 10000 psi)

Non Zero Based Ranges

Non zero based ranges are available. Please contact
Druck to discuss your requirements

Over Pressure

4 × FS (up to 200 bar for ranges ≤ 50 bar and up to
1200 bar for ranges > 50 bar)

Containment Pressure

Ranges up to 50 bar (725 psi) gauge
6 × FS (200 bar (2900 psi) max)

Ranges up to 50 bar (725 psi) absolute/sealed gauge
200 bar (2900 psi)

Ranges above 50 bar (725 psi) absolute/sealed gauge
1200 bar (17400 psi)

Supply and Outputs

Electronics Option	Description	Supply voltage (V)	Output	Current Consumption (mA)
0	mV Passive	2.5 to 12	10 mV/V [^]	<2 at 10 V
1	mV Linearised	7 to 12	10 mV/V [^]	<3
2	mA	7 to 28**	4-20 mA	<30
3	0 to 5 V 4-wire	7 to 16**	0 to 5 V	<3
4	0 to 5 V 3-wire	7 to 16**	0 to 5 V*	<3
5	Basic Configurable (3-wire)	See below~	See below	<3
6	0 to 10 V 4-wire	12 to 16**	0 to 10 V	<3

[^] with a 10 volt supply mV output sensors give 100 mV over the full scale pressure. Output is ratiometric to the supply voltage.

*0 to 5 V 3-wire output is non true zero. At pressures below 1% of span the output will be fixed at approximately 50 mV

**32 V maximum for non-hazardous area operation

~Supply voltage is between [Maximum Output + 1V] (7 V minimum) to 16 V (32 V in non-hazardous area operation)

Basic Configurable (Option 5)

Any pressure signal output configurations will be available, subject to the following limitations:

Output Specification	Basic Configurable (Option 5)
Minimum span:	4 V
Maximum span:	10 V
Maximum output limit:	11 V
Maximum zero offset:	Span / 2

Output voltage range can be specified to a resolution of 0.1 V
Not true zero, the output will saturate at < 50 mV
The output will continue to respond to 110% FS. i.e. if a 0 to 10 V output is specified, the output will continue to increase proportionally to applied pressure until at least 11 V.

Examples

Allowed	Not Allowed
0 to 5 V	1 to 4 V (span too small)
0.5 to 4.5 V	4 to 11 V (offset too big)
1 to 6 V	-----
1 to 11 V	-----

Supply Sensitivity

±0.005% FS/Volt (voltage and current version only)

Power-Up Time

- mV, voltage and current versions: 10 ms

Insulation Resistance/Isolation

- 500 Vdc: ≥ 100 MΩ
- 500 Vac: ≤ 5 mA leakage current (mV and mA versions only).

Shunt Calibration (5800 only)

Shunt calibration provides a customer accessible connection which, when applied, causes a shift in output of 80% FS in order to simulate applied pressure. It is fitted to the mV version as standard. Shunt calibration is activated by connecting Shunt Cal to -ve Supply.

Performance Specifications

There are three grades of performance specification: Industrial, Improved and Premium

Accuracy

Voltage, Current and mV Linearised

Combined effects of non-linearity, hysteresis and repeatability:

Industrial: $\pm 0.2\%$ FS BSL

Improved: $\pm 0.1\%$ FS BSL

Premium: $\pm 0.04\%$ FS BSL

mV Passive

≤ 50 bar

Industrial/Improved: $\pm 0.25\%$ FS BSL

Premium: not available

> 50 bar

Industrial/Improved: $\pm 0.5\%$ FS BSL

Premium: not available

Zero Offset and Span Setting

5900 electrical connector allows access to potentiometers that give at least $\pm 5\%$ FS adjustment

Factory Set To:

Product Description	Industrial	Improved and Premium
Current and Voltage Versions (5900)	$\pm 0.5\%$ FS	$\pm 0.2\%$ FS
Current and Voltage Versions (5800)	$\pm 1.0\%$ FS	$\pm 1.0\%$ FS
mV Versions	± 3.0 mV	± 3.0 mV

Long Term Stability

$\pm 0.05\%$ FS typical ($\pm 0.1\%$ FS maximum) per year

Temperature Effects

Four compensated temperature ranges can be chosen. Industrial Accuracy performance:

- 10 °C to +50 °C (14 °F to +122 °F): $\pm 0.75\%$ FS Temperature Error Band (TEB)
- 20 °C to +80 °C (-4 °F to +176 °F): $\pm 1.5\%$ FS TEB.)
- 40 °C to +80 °C (-40 °F to +176 °F): $\pm 2.25\%$ FS TEB
- 40 °C to +125 °C (-40 °F to +257 °F): $\pm 2.25\%$ FS TEB (5900 only)

Improved and Premium Accuracy performance:

- 10 °C to +50 °C (14 °F to +122 °F): $\pm 0.5\%$ FS TEB
- 20 °C to +80 °C (-4 °F to +176 °F): $\pm 1.0\%$ FS TEB
- 40 °C to +80 °C (-40 °F to +176 °F): $\pm 1.5\%$ FS TEB
- 40 °C to +125 °C (-40 °F to +257 °F): $\pm 1.5\%$ FS TEB (5900 only)

Physical Specifications

Environmental Protection

See the Electrical Connector section

Operating Temperature Range

See the Electrical Connector section

Pressure Media

Fluids compatible with Stainless Steel 316L and Hastelloy C276

Enclosure Materials

Stainless steel (body), Viton (O-ring)*, PTFE (vent filter), polyurethane resin (potting)**, and polyolefin (heatshrink)**. Cable sheaths as specified (see the Electrical Connector section)

*Note: 5900 only

**Note: 5800 only

Pressure Connector

For available options, see Ordering Information

Electrical Connector

Various electrical connector options offering different features are available.

Model	Code No.	Description	Max Operating Temp Range		IP Rating	Zero/Span Adjust
			°C	°F		
5800	5	M20 Male Conduit with Polyurethane Cable	-40 to +80	-40 to +176	66/67	N
	8	½" NPT Male Conduit with Polyurethane Cable	-40 to +80	-40 to +176	66/67	N
	M	M20 Male Conduit with RADOX® Mud Resistant Cable	-40 to +80	-40 to +176	66/67	N
	S	M20 Male Conduit with Mud Resistant Cable	-40 to +80	-40 to +176	66/67	N
5900	T	½" NPT Male Conduit with Mud Resistant Cable	-40 to +80	-40 to +176	66/67	N
	B	M20 Female Conduit with Terminal	-40 to +100	-40 to +212	66/67*	Y
	J**	½" NPT Female Conduit with Terminal	-40 to +100	-40 to +212	66/67*	Y

*Note: Designed to be enclosure Type 4X, IP66 and IP67 when properly installed with conduit fitting.

**Note: Option J is supplied with an M20 male to 1/2" NPT female conduit thread adaptor.

Note: Hazardous area approved versions may be restricted to a reduced maximum operating temperature range – see Hazardous Area Approvals.

UNIK 5800/5900 Specifications

Electrical Connections

Model	Code	Code/Color	Output Option (Codes)			
			mA (2)	Volt 3-wire (4 and 5)	Volt 4-wire (3 and 6)	mV (0 and 1)
5800	58	Red	+ve Supply	+ve Supply	+ve Supply	+ve Supply
		Yellow or White	-	+ve Output	+ve Output	+ve Output
		Brown	-	-	-ve Output	-ve Output
		Black	-ve Supply	0V Common	-ve Supply	-ve Supply
		Orange	-	-	-	Shunt Cal
		Green	Case	Case	Case	Case
		Screen	-	-	-	-
	M	Brown	+ve Supply	-	-	-
		Blue	-ve Supply	-	-	-
		Black	Case	-	-	-
		Screen	-	-	-	-
	S T	1	+ve Supply	-	-	-
		2	-ve Supply	-	-	-
		Green and yellow	Case	-	-	-
		Screen	-	-	-	-
	5900	B J	I/P+	+ve Supply	+ve Supply	+ve Supply
O/P+			-	+ve Output	+ve Output	+ve Output
O/P-			-	-	-ve Output	-ve Output
I/P-			-ve Supply	0V Common	-ve Supply	-ve Supply

Regulatory Compliance

Australia/New Zealand

- EMC (RCM) - Compliant
- IECEx - Hazardous area (optional, refer to approvals)

Brazil

- Hazardous area (optional, refer to approvals)

Canada

- Pressure equipment CRN registered

Canada & USA

- Hazardous locations (optional, refer to approvals)

EAEU Eurasian Economic Union (Russia, Kazakhstan, Belarus)

- EMC CU TR 020/2011
- Hazardous area CU TR 012/2011 (optional, refer to approvals)
- Kazakhstan metrology approved
- Russia metrology approved

European Union: CE Marked

- PED 2014/68/EU - Sound Engineering Practice
- ATEX Directive 2014/34/EU - (optional, refer to approvals)
- EMC Directive 2014/30/EU - Compliant
- RoHS Directive 2011/65/EU - Compliant

Refer to EU Declaration of Conformity for details on CE compliance standards

India

- Hazardous area (optional, refer to approvals)

South Korea

- EMC approved
- Hazardous area (optional, refer to approvals)

A SIL certified version of the PTX5900 is available. Please consult the separate datasheet available from Druck.com.

Hazardous Area Approvals (Optional)

Product	Protection concept	Approval Type	Ex Marking
UNIK5800 & UNIK5900	Intrinsic Safety	ATEX - EU	Ex ia IIC T5 Ga, Ex ia I Ma (-40 °C ≤ Ta ≤ +80 °C)
		IECEX - Global	
		FM - USA	IS CL I DIV I GP ABCD T5 Ex ia, Class I, Zone 0, AEx/Ex ia IIC T5 (-40 °C ≤ Ta ≤ +80 °C)
		FM - Canada	IP64 Type 4X SINGLE SEAL (-40 °C to +125 °C)
		INMETRO - Brazil	Ex ia IIC T5 Ga, Ex ia I Ma (-40 °C ≤ Ta ≤ +80 °C)
		NANIO - EAEU	0Ex ia IIC T5 Ga X, PO Ex ia I Ma X (-40 °C ≤ Ta ≤ +80 °C)
		CCoE - India	Ex ia IIC T5 Ga (-40 °C ≤ Ta ≤ +80 °C)
UNIK5800	Explosionproof/ Flameproof and/or Dust ignition proof by Enclosure	ATEX - EU	Ex db IIC T6 Gb, Ex tb IIIC T85°C Db (-40 °C ≤ Ta ≤ +Tmax °C)
		IECEX - Global	Tmax = 63 for models 585#, 588# & 58M2, Tmax = 53 for models 58S2 & 58T2
		FM - USA	XP CL I DIV I GP ABCD T6, CL I ZN I AEx/Ex d IIC T6, CL II, III DIV I GP EFG T6/T85 °C, ZN 21 AEx tb IIIC T85 °C (-40 °C ≤ Ta ≤ +Tmax °C), SINGLE SEAL
		FM - Canada	Tmax = 63 for models 585# & 588#, Tmax = 53 for models 58S2 & 58T2
		INMETRO - Brazil	Ex db IIC T6 Gb, Ex tb IIIC T85°C Db (-40 °C ≤ Ta ≤ +Tmax °C) Tmax = 63 for models 585#, 588# & 58M#, Tmax = 53 for models 58S# & 58T#
		NANIO - EAEU	1Ex db IIC T6 Gb X, Ex tb IIIC T85 °C Db X (-40 °C ≤ Ta ≤ +Tmax °C) Tmax = 63 for models 585#, 588# & 58M#, Tmax = 53 for models 58S# & 58T#
		UNIK5900	Explosionproof/ Flameproof and/or Dust ignition proof by Enclosure
IECEX - Global	T5/T100°C (-40 °C ≤ Ta ≤ +80 °C) T4/T135°C (-40 °C ≤ Ta ≤ +100 °C)		
FM - USA	XP CL I DIV I GP ABCD T*, CL I ZN I AEx/Ex d IIC T*, CL II, III DIV I GP EFG T*/T* °C ZN 21 AEx tb IIIC T* °C (Ta range same as IECEX)		
FM - Canada	SINGLE SEAL		
INMETRO - Brazil	Ex db IIC T6 ... T4 Gb, Ex tb IIIC T85°C ... T135 °C Db (Ta range same as IECEX)		
NANIO - EAEU	1Ex db IIC T6 ... T4 Gb X, Ex tb IIIC T85 °C ... T135 °C Db X (Ta range same as IECEX)		
CCoE - India	Ex d IIC T6 ... T4 Gb (Ta range same as IECEX)		
KTL - South Korea	Ex d IIC T6 ... T4, Ex tb IIIC T85 °C ... T135 °C (Ta range same as IECEX)		

Notes:

- For full certification details, refer to the type examination certificate (or approval listings) and supplied hazardous area installation instructions.
- Model 585# & 59B#, using a metric electrical conduit thread, are not permitted for installation in 'Divisions' classified installations in Canada.
- Model 59J#, using a metric electrical conduit thread and supplied with a metric to NPT thread adapter, must be installed with the adapter fitted.

Ordering Information (See the online configuration tool at Druck.com)

(1) Select model number

Main Product Variant

PMP Amplified Pressure Transducer
 PDCR mV Pressure Transducer
 PTX 4-20 mA Pressure Transmitter

Product Series

5 UNIK 5000

Diameter and Material

8 25mm Stainless Steel 316L Male Conduit
 9 60mm Stainless Steel 316L Female Conduit with Terminal Compartment

Electrical Connector

5 M20 Male Conduit with Polyurethane Cable (5800 only)
 8 1/2" NPT Male Conduit with Polyurethane Cable (5800 only)
 B M20 Female Conduit with Terminal Compartment (5900 only)
 J 1/2" NPT Female Conduit with Terminal Compartment (5900 only)
 M M20 Male Conduit with RADOX® Mud Resistant Cable (5800 only) Note 3
 S M20 Male Conduit with Mud Resistant Cable (5800 only) Note 3
 T 1/2" NPT Male Conduit with Mud Resistant Cable (5800 only) Note 3

Electronics Option

0 mV Passive 4-wire (PDCR) Note 1
 1 mV Linearised 4-wire (PDCR)
 2 4 to 20 mA 2-wire (PTX)
 3 0 to 5 V 4-wire (PMP)
 4 0 to 5 V 3-wire (PMP)
 5 Basic configurable 3-wire (PMP)
 6 0 to 10 V 4-wire (PMP)

Compensated Temperature Range

TA -10 to +50 °C (14 to +122 °F)
 TB -20 to +80 °C (-4 to +176 °F)
 TC -40 to +80 °C (-40 to +176 °F)
 TD -40 to +125 °C (-40 to +257 °F) (5900 only)

Accuracy

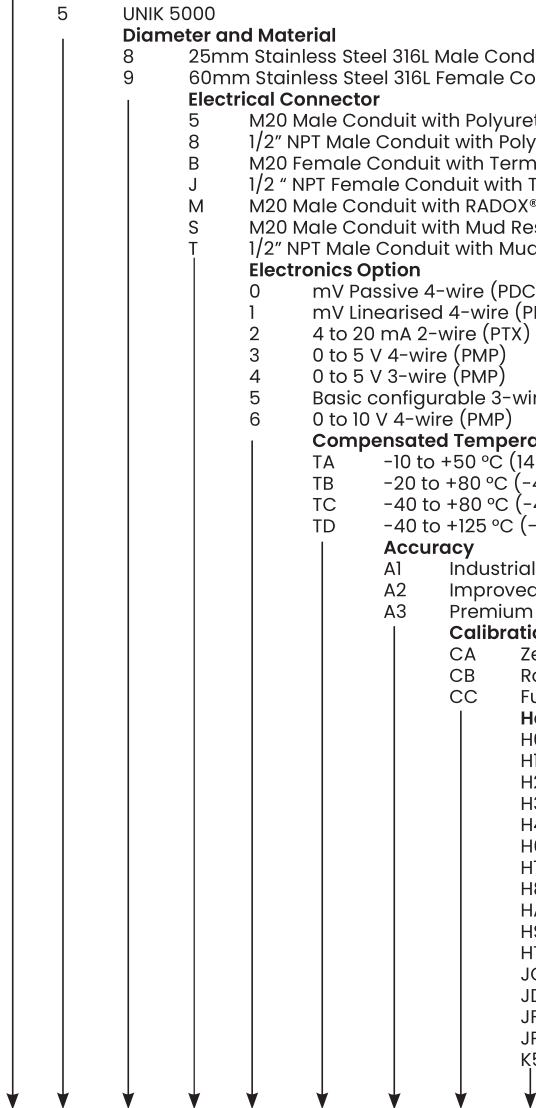
A1 Industrial
 A2 Improved
 A3 Premium

Calibration

CA Zero/Span Data
 CB Room Temperature
 CC Full Thermal

Hazardous Area Approval

H0 None
 H1 IECEx/ATEX Intrinsically Safe 'ia' Group IIC
 H2 IECEx/ATEX Intrinsically Safe 'ia' Group I
 H3 IECEx/ATEX Protected by Enclosure Group IIIC
 H4 IECEx/ATEX Flameproof Group IIC
 H6 FM (C&US) Intrinsically Safe 'ia' Group IIC/ABCD
 H7 C & US Dust Ignition Proof, Groups IIIC/EFB
 H8 C & US Flameproof/Explosion Proof, Groups IIC/ABCD
 HA IECEx/ATEX Intrinsically Safe 'ia' Groups I/IIC [H1 + H2]
 HS IECEx/ATEX/FM (C&US) Intrinsically Safe 'ia' Groups IIC/ABCD [H1 + H6]
 HT IECEx/ATEX/FM (C & US) Flameproof/Explosion Proof Groups IIC/ABCD [H4 + H8]
 JC INMETRO PROTECTED BY ENCLOSURE, GROUP IIIC
 JD INMETRO FLAMEPROOF, GROUP IIC
 JF INMETRO INTRINSICALLY SAFE, GROUP IIC/I
 JP EAEU INTRINSICALLY SAFE/PROTECTED BY ENCLOSURE/FLAMEPROOF
 K5 KOREAN PROTECTED BY ENCLOSURE/FLAMEPROOF (5900 ONLY)



Ordering Information (See the online configuration tool at Druck.com) Continued...

PTX	5	8	5	2	-	TA	-	A2	-	CB	-	H0	-	PA	Pressure Connector	5800	5900	
↓	↓	↓	↓	↓	↓	↓	↓	↓	↓	↓	↓	↓	↓	↓	PA	G1/4 Female Note 2	x	
															PB	G1/4 Male Flat End	x	
															PC	G1/4 Male 60 degree Int Cone	x	
															PD	G1/8 Male 60 degree Int Cone	x	
															PE	1/4 NPT Female Note 2	x	
															PF	1/4 NPT Male	x	
															PG	1/8 NPT Male	x	
															PH	M20x1.5	x	
															PJ	M14x1.5 60° Internal Cone		
															PK	M12x1 Internal Cone	x	
															PL	7/16-20 UNJF Male 74° External Cone		
															PM	G1/2 Female		x
															PN	G1/2 Male Note 2		x
															PP	1/2 NPT Female		x
															PQ	G1/4 Quick Connect	x	
															PR	1/2 NPT Male Note 2	x	
															PS	1/4 Swagelok Bulkhead	x	x
															PT	G1/4 Male Flat Long	x	
															PU	7/16-20 UNF Long 37 degree flare tip		
															PV	7/16-20 UNJF Female	x	
															PX	7/16-20 UNF Male Short Flat	x	
															PY	3/8-24 UNJF	x	
															PZ	M10 x 1 80° Int Cone	x	
															RA	VCR Female	x	
															RB	G1/4 Male Flat with Snubber	x	
															RC	G1/4 Male Flat with Cross Bore Protection	x	
															RD	M12 x 1.0 74 degree External Cone		
															RE	Quick Release Male	x	
															RF	VCR Male	x	
															RM	G1/2 Female Long Version		x
															RN	G1/2 Male Long Version		x
															RP	1/2 NPT Female Long Version		x
															RR	1/2 NPT Male Long Version		x

Typical Model Number

Ordering Notes

Note 1: Premium Accuracy is not available on this version

Note 2: Select one of these pressure connectors for pressure ranges over 50 bar (5800 only)

Note 3: Limited to hazardous area approval options H0, H1, H2, H3, H4 and HA only, and electronics option 2 only.

Note 4: Hazardous area certifications are restricted by electrical connector options in accordance with the following table :

Connector							
Allowed	5	8	B	J	M	S	T
H0	Y	Y	Y	Y	Y	Y	Y
H1	Y	Y	Y	Y	-	Y	Y
H2	Y	Y	Y	Y	-	Y	Y
H3	Y	Y	Y	Y	Y	Y	Y
H4	Y	Y	Y	Y	Y	Y	Y
H6	Y	Y	Y	Y	-	Y	Y
H7	Y	Y	Y	Y	-	Y	Y
H8	Y	Y	Y	Y	-	Y	Y
HA	Y	Y	Y	Y	-	Y	Y
HS	Y	Y	Y	Y	-	Y	Y
HT	Y	Y	Y	Y	-	Y	Y
JC	Y	Y	Y	Y	Y	Y	Y
JD	Y	Y	Y	Y	Y	Y	Y
JF	Y	Y	Y	Y	-	Y	Y
FP	Y	Y	Y	Y	-	Y	Y
K5	-	-	Y	Y	-	-	-

2) State pressure range and units: e.g., 0 to 10 bar, -5 to + 100 psi

Unit options are:

Symbol Description

bar	bar
mbar	millibar
psi	pounds/sq. inch
Pa	Pascal
hPa	hectoPascal
kPa	kiloPascal
MPa	MegaPascal
mmH ₂ O	mm water
cmH ₂ O	cm water
mH ₂ O	metres water
inH ₂ O	inches water
ftH ₂ O	feet water
mmHg	mm mercury
inHg	inches mercury
kgf/cm ²	kg force/sq. cm
atm	atmosphere
Torr	torr

3) State Pressure reference: e.g., gauge

Reference options are:

- gauge
- absolute
- sealed gauge

4) State cable length and units (5800 only): Minimum length 1 m (3 ft), maximum length 100 m (300 ft), integer values only, e.g., 1 m cable.

5) State voltage output at minimum and maximum pressure (output option 5 only): Up to 1 decimal place, e.g., output 0.5 to 4.5 V

Typical order examples:

PTX5882-TB-A2-CA-H3-PA, 0 to 10 bar gauge, 3 m cable

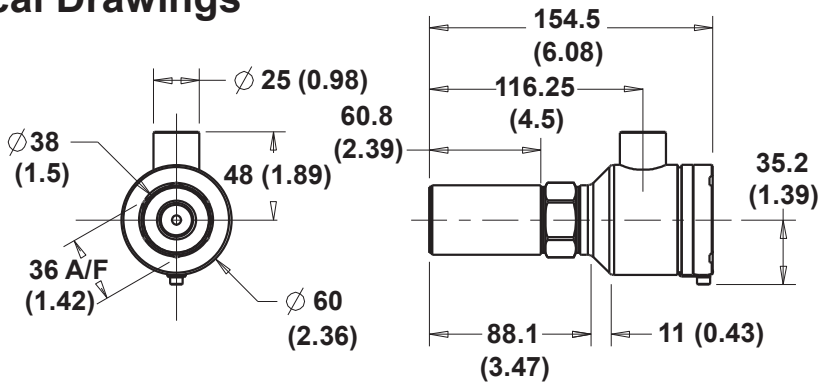
PMP59B5-TC-A3-CC-H4-PM, -15 to 75 psi gauge, output 1 to 6 Volts

PDCR5881-TB-A1-CB-H0-PN, 0 to 100 bar sealed gauge, 6 ft. cable

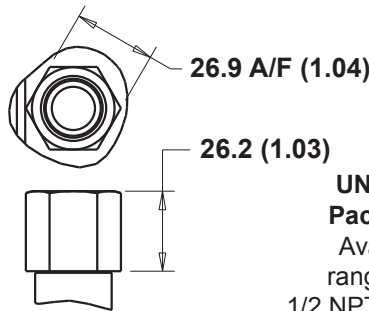
Mechanical Drawings

UNIK 5900 Mechanical Drawings

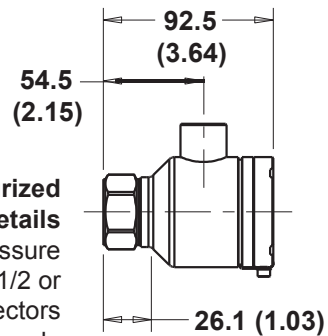
**UNIK 5900 Bracket
Compatible Outline Details**
Available for all pressure ranges and either G1/2 or 1/2 NPT pressure connectors in Male or Female.



**1/2 NPT Conduit
Adapter**
Use to adapt the standard M20 x 1/5 conduit connection.

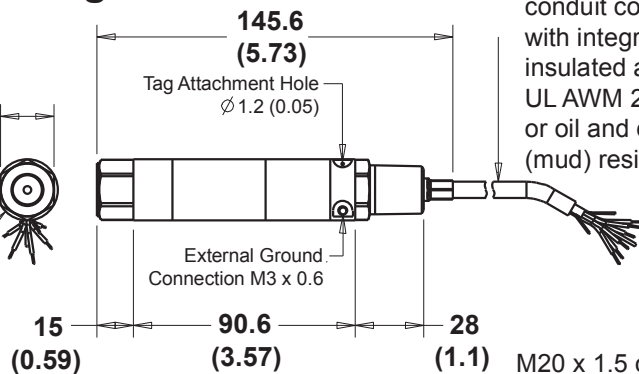
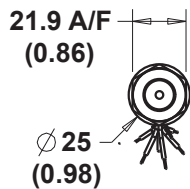


**UNIK 5900 Miniaturized
Package Outline Details**
Available for all pressure ranges and either G1/2 or 1/2 NPT pressure connectors in Male or Female



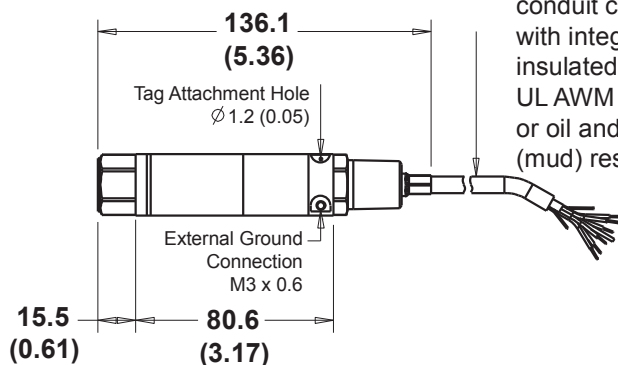
UNIK 5800 Mechanical Drawings

**UNIK 5800 High Pressure
Construction Outline Details**
Available for pressure ranges greater than 50 bar and G1/4 or 1/4 NPT female, or G1/2 or 1/2 NPT Male pressure connectors.



M20 x 1.5 or 1/2 NPT conduit connection with integrated TPE insulated and jacketed UL AWM 20237 or oil and drilling fluid (mud) resistant cable.

**UNIK 5800 Low Pressure
Construction Outline Details**
Available for pressure ranges less than or equal to 50 bar and can be configured for low and medium pressure UNIK 5000 Series pressure connectors.



M20 x 1.5 or 1/2 NPT conduit connection with integrated TPE insulated and jacketed UL AWM 20237 or oil and drilling fluid (mud) resistant cable.

Note: Dimensions shown for G1/4 and 1/4 NPT Female pressure connectors only. Refer to main document for list of pressure connector options - orientation not critical.

Druck.com

Copyright 2020. Baker Hughes Company. This material contains one or more registered trademark of Baker Hughes Company and its subsidiaries in one or more countries. All third-party product and company names are trademarks of their respective holders.

920-582F

Baker Hughes 