



868/915MHz OUTDOOR DIRECTIONAL ANTENNA

TECHNICAL DATA SHEET

TX900-BM-9

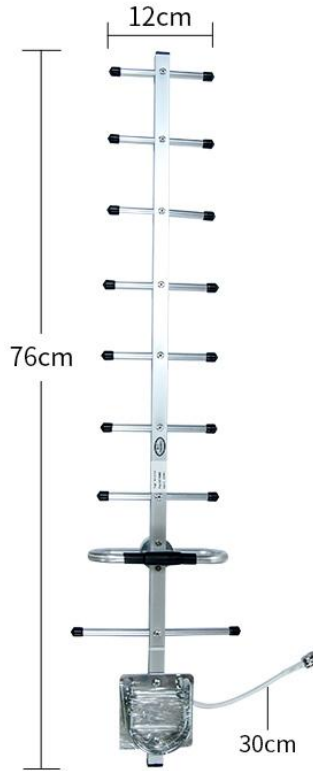




TX900-BM-9

NO.	MECHANICAL SPECIFICATIONS	VALUE	COMMENT
01	Part Number	TX900-BM-9	Directional Antenna
02	Material	Aluminum alloy	
03	Wind Resistance	60m/s	
04	Connector Type	N-Female	
05	Antenna Colour	Silver	
06	Overall Length	760mm	
07	Net Weight	390g	±5g
NO.	ELECTRICAL SPECIFICATIONS	VALUE	COMMENT
01	Frequency	868/915MHz	824~960MHz
02	Antenna Gain	12dBi	
03	Radiation type	Directional	
04	Polarization	Linear	Vertical
05	Horizontal Beamwidth	54 Deg	±3 Deg
06	Vertical Beamwidth	48 Deg	
07	Nominal Impedance	50Ω	
08	Max Input Power	100W	
09	S.W.R.	≤1.5	
NO.	ENVIRONMENTAL SPECIFICATIONS	VALUE	COMMENT
01	Operation Temperature	-40°C ~ +85°C	
02	Storage Temperature	-40°C ~ +85°C	
03	RoHS Compliant	YES	

MECHANICAL DRAWING

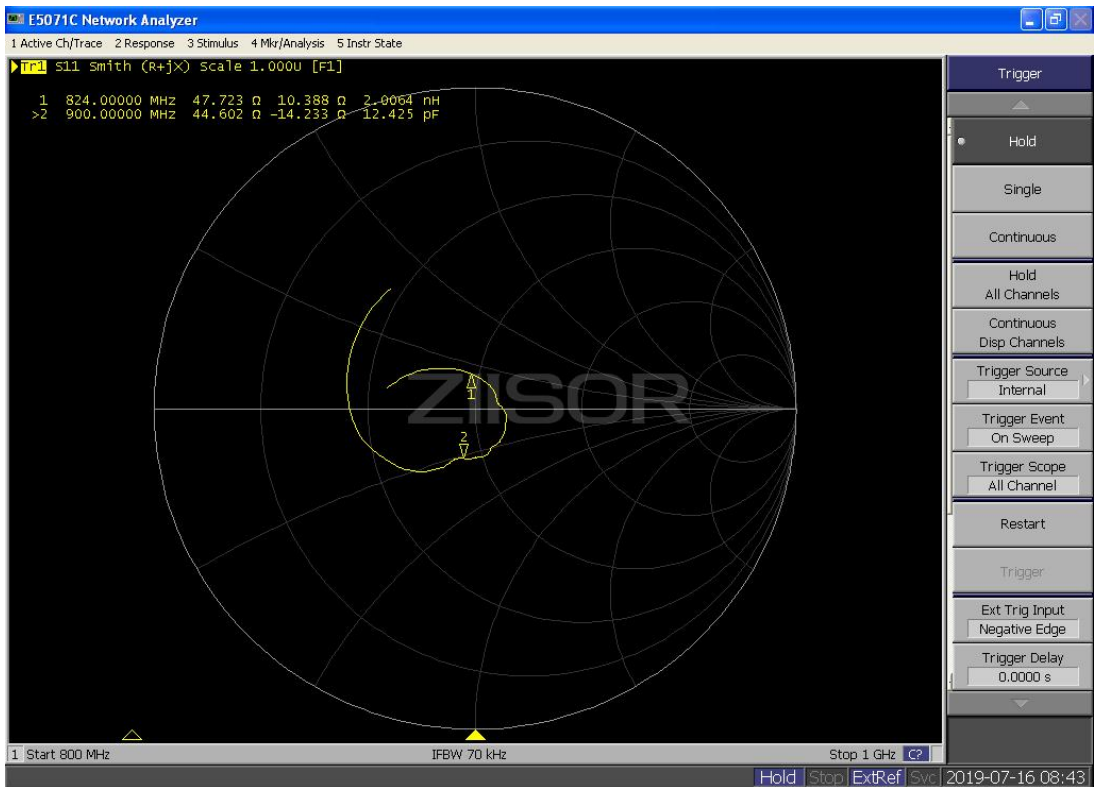


UNIT: mm

S.W.R.



SMITH



Disclaimer

EBYTE reserves all rights to this document and the information contained herein. Products, names, logos and designs described herein may in whole or in part be subject to intellectual property rights. Reproduction, use, modification or disclosure to third parties of this document or any part thereof without the express permission of EBYTE is strictly prohibited.

The information contained herein is provided "as is" and EBYTE assumes no liability for the use of the information. No warranty, either express or implied, is given, including but not limited, with respect to the accuracy, correctness, reliability and fitness for a particular purpose of the information. This document may be revised by EBYTE at any time. For most recent documents, visit www.cdebyte.com.

About us

Sales hotline.: 4000-330-990

Company Phone: 028-61399028

Technical Support: support@cdebyte.com

Official website: www.cdebyte.com

Company address: Building B5, No.199 West Avenue, Gaoxin West District, Chengdu, Sichuan Province

