



# 915MHz ROD ANTENNA

## TECHNICAL DATA SHEET

TX915-JZ-5

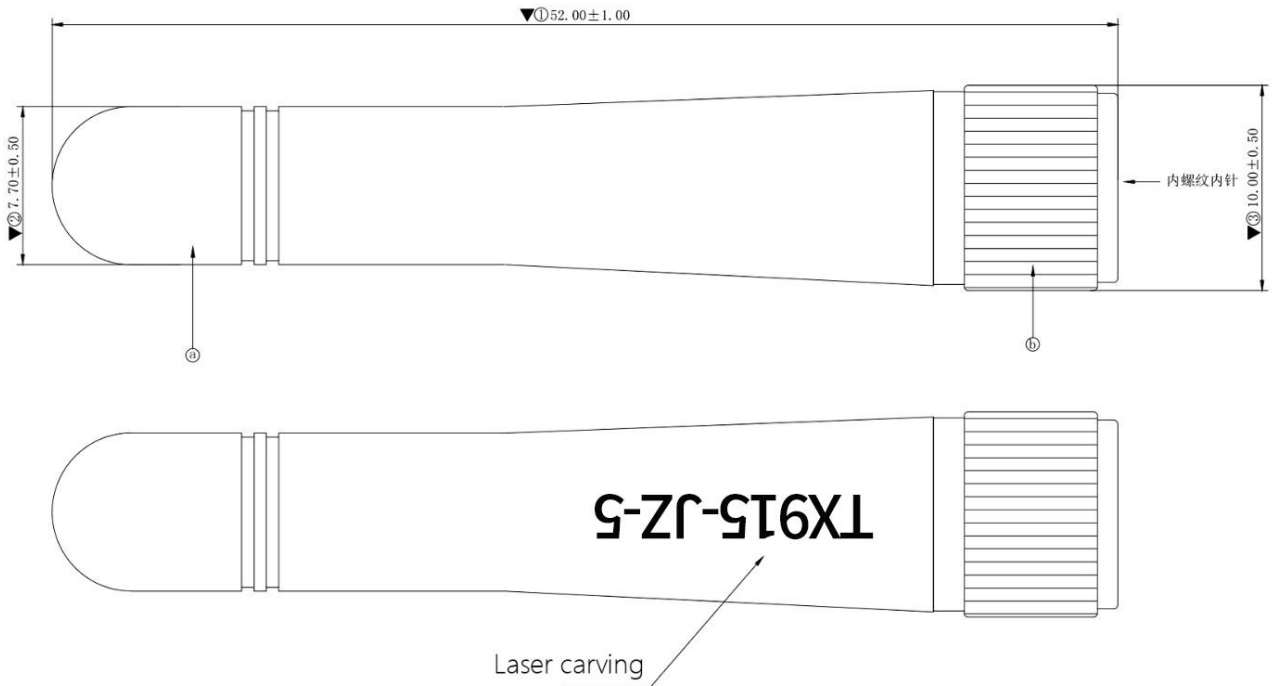




TX915-JZ-5

NO.	MECHANICAL SPECIFICATIONS	VALUE	COMMENT
01	Part Number	TX915-JZ-5	915MHz Rod Antenna
02	Material	TPEE	
03	Material of Radiator	Copper	
04	Connector Type	SMA Male	
05	Antenna Colour	Black	
06	Overall Length	52mm	OD10mm
07	Cable Type	N/A	
08	Cable Length	N/A	
09	Weight	6g	±1g
NO.	ELECTRICAL SPECIFICATIONS	VALUE	COMMENT
01	Frequency	915MHz	895~935MHz
02	Antenna Gain	2dBi	
03	Radiation type	Omnidirectional	
04	Polarization	Linear	Vertical
05	Nominal Impedance	50Ω	
06	Power Capacity	10W	
07	S.W.R.	≤2.0	
NO.	ENVIRONMENTAL SPECIFICATIONS	VALUE	COMMENT
01	Operation Temperature	-30°C ~ +75°C	
02	Storage Temperature	-30°C ~ +75°C	
03	RoHS Compliant	YES	

MECHANICAL DRAWING



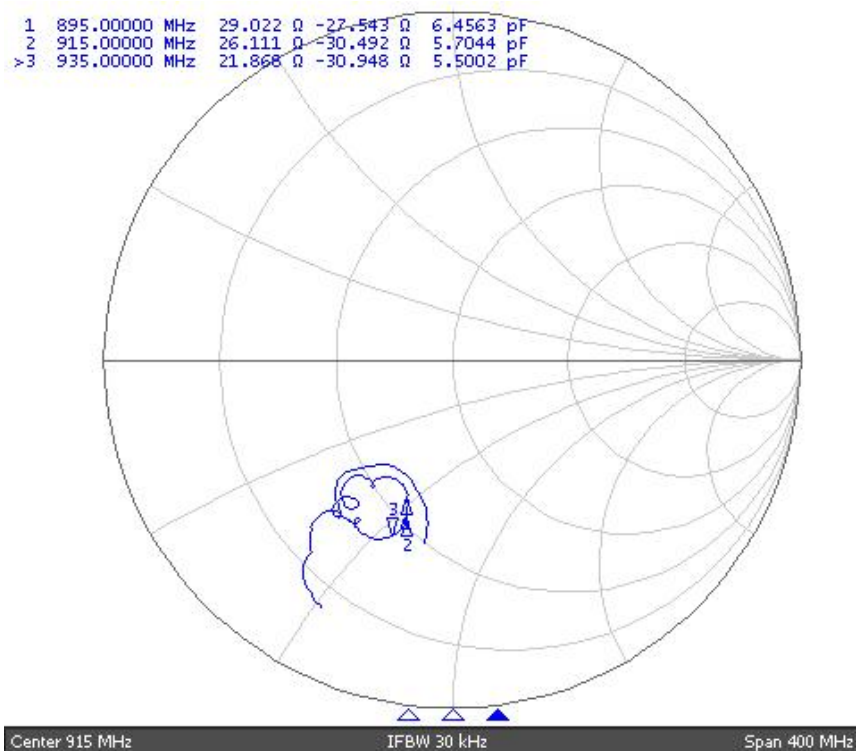
UNIT: mm

ITEM	PART NAME	QUANTITY	MATERIAL / FINISH
a	Radome	1	TPEE Black
b	Connector	1	SMA Male Nickel plated

### S.W.R.



### SMITH



## Disclaimer

EBYTE reserves all rights to this document and the information contained herein. Products, names, logos and designs described herein may in whole or in part be subject to intellectual property rights. Reproduction, use, modification or disclosure to third parties of this document or any part thereof without the express permission of EBYTE is strictly prohibited.

The information contained herein is provided "as is" and EBYTE assumes no liability for the use of the information. No warranty, either express or implied, is given, including but not limited, with respect to the accuracy, correctness, reliability and fitness for a particular purpose of the information. This document may be revised by EBYTE at any time. For most recent documents, visit [www.cdebyte.com](http://www.cdebyte.com).

## About us

Technical support: [support@cdebyte.com](mailto:support@cdebyte.com)

Documents and RF Setting download link: [www.cdebyte.com](http://www.cdebyte.com)

Thank you for using Ebyte products! Please contact us with any questions or suggestions: [lirong@cdebyte.com](mailto:lirong@cdebyte.com)

-----  
Phone: 028-61543675

Web: [www.cdebyte.com](http://www.cdebyte.com)

Address: Building B5, Mould Industrial Park, 199# Xi-Qu Ave, West High-tech Zone, Chengdu, 611731, Sichuan, China



**Chengdu Ebyte Electronic Technology Co.,Ltd.**