

IRB 6600FX / 7600FX

Fast and flexible transfer solution for large parts



IRB 6600FX and IRB 7600FX raise the bar in Press Automation thanks to their linear 7th axis, to provide customers with more flexibility at greater speeds while saving precious press-shop floor space.

Linear part transfer

By integrating a dual action unit into IRB 6600 and IRB 7600, ABB creates the IRB 6660FX and IRB 7600FX, 7-axis robots for the transfer of parts rapidly along a linear path. As a result, vibrations created when parts are rotated 180° by the conventional 6-axis robot are eliminated.

In the case of new press lines, Inter-press distance can be reduced as parts are transferred without having to be rotated.

Dynamic model control

The IRB 6660FX and IRB 7600FX are also equipped with integrated dynamic model control to ensure that all seven axis are coordinated and operating at optimum speed and lifetime.

User-friendly programming interface

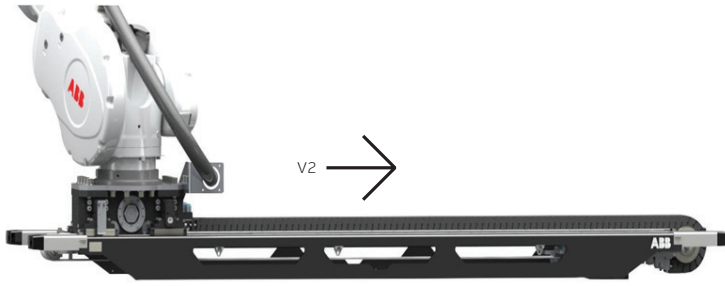
The IRB 6660FX / 7600FX are programmed the same way as its 6-axis counterpart is. Additionally, they can be programmed using ABB's StampWare.

StampWare

Currently running in more than 1,000 units worldwide, StampWare is a family of controller software designed to increase the productivity by minimizing the learning time and setup time of new production. The modularized program structure, the program wizard and the graphical production window decrease the time for training that the operator and robot programmer need. As a result, production is more efficient during installation, production set-up and optimizing of the robot cycle.

Optimized performance with carbon fiber tooling

The IRB 6660FX and IRB 7600FX's carbon fiber tooling increases output thanks to its specially designed shape which has been optimized for tool height. As a result it can be placed into the die at lower press openings.

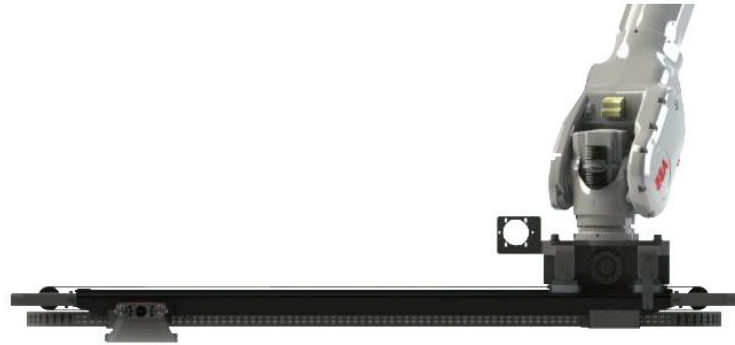


V1 = V1 + V2 →

01

V1 →

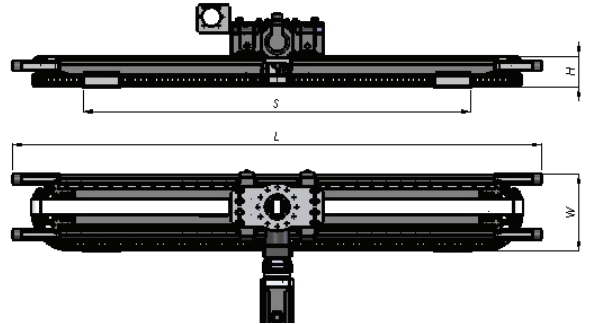
02



01 IRB 7600FX. Double action linear unit.
02 IRB 6660 FX. Double action linear unit.

Robot	IRB 6660FX	IRB 7600FX
Handling capacity (Kg)	40	100
Reach (m)	3.10 + 1.75	3.10 + 1.75

Linear 7th axis	IRB 6660FX	IRB 7600FX
S - stroke (mm)	1.400	1750
L - length (mm)	2190	2250
H - height (mm)	130	160
W - width (mm)	315	420



Asea Brown Boveri S.A.
DMRO Robotics
C/ de L'illa de Buda, 55
08192 Sant Quirze del Vallès,
Barcelona, Spain

We reserve the right to make technical changes or modify the contents of this document without prior notice. With regard to purchase orders, the agreed particulars shall prevail. ABB does not accept any responsibility whatsoever for potential errors or possible lack of information in this document.

We reserve all rights in this document and in the subject matter and illustrations contained therein. Any reproduction, disclosure to third parties or utilization of its contents – in whole or in parts – is forbidden without prior written consent of ABB.
Copyright © 2017 ABB
All rights reserved