



Chengdu Ebyte Electronic Technology Co.,Ltd

# Wireless Modem

## User Manual



【4DI + 4DO】

MA01-AXCX4040

All rights to interpret and modify this manual belong to  
Chengdu Ebyte Electronic Technology Co., Ltd.

## Content

Disclaimer.....	4
1 Overview.....	5
1.1 Brief Introduction.....	5
2 Quick Start.....	6
2.1 Preparation.....	6
2.2 Wiring.....	6
2.2.1 Power wiring.....	6
2.2.2 with RS485.....	7
2.2.3 Overall wiring diagram.....	7
2.3 Setting.....	8
2.3.1 get connected.....	8
2.3.2 testing.....	9
3 Parameters.....	10
3.1 Model details.....	10
3.2 Regular parameters.....	11
3.3 Port description.....	12
3.4 Size.....	12
3.5 installation.....	13
4 Detailed function.....	13
4.1 Switch input DI.....	13
4.1.1 Switch input DI collection.....	13
4.1.2 Switch input DI filter parameters.....	13
4.2 Switch output DO.....	14
4.2.1 Switch output DO description.....	14
4.2.2 Switch output DO mode setting.....	15
4.3 Device address.....	15
4.3.1 Device address.....	15
4.3.2 Hardware address (dip switch).....	16
4.3.3 Software address (offset address).....	17
5 Port wiring.....	18

5.1 Switch input DI port wiring.....	18
5.1.1 Two-wire switch wiring.....	18
5.1.2 Three-wire switch wiring.....	18
5.1.3 Three-wire sensor wiring.....	19
5.2 Switch output DO port wiring.....	19
5.2.1 The output terminal directly controls the load (small power equipment within 1kW)19	
5.2.2 Output terminal control contactor (contactor controls high-power 220V equipment)20	
5.2.3 Output terminal control contactor (contactor controls high-power 380V equipment)20	
6 Software use.....	21
6.1 Software Installation.....	21
6.2 Software function introduction.....	22
6.2.1 IO Demo interface.....	22
6.2.2 Basic setting interface.....	25
6.2.3 Advanced settings interface.....	26
6.3 Device status query.....	27
6.4 Equipment status control.....	29
7 Modbus.....	31
7.1 Register list.....	31
7.2 Instruction format (partial).....	33
7.2.1 Read DO output coil status.....	33
7.2.2 Read holding register.....	33
7.2.3 Write a single holding register.....	34
7.2.4 Write multiple holding registers.....	34
7.2.5 Write the status of a single DO coil.....	34
7.2.6 Write multiple DO coil states.....	35
Copyrights Notice.....	36
Revision history.....	36
About us.....	36

## Disclaimer

EBYTE reserves all rights to this document and the information contained herein. Products, names, logos and designs described herein may in whole or in part be subject to intellectual property rights. Reproduction, use, modification or disclosure to third parties of this document or any part thereof without the express permission of EBYTE is strictly prohibited.

The information contained herein is provided “as is” and EBYTE assumes no liability for the use of the information. No warranty, either express or implied, is given, including but not limited, with respect to the accuracy, correctness, reliability and fitness for a particular purpose of the information. This document may be revised by EBYTE at any time. For most recent documents, visit [www.ebyte.com](http://www.ebyte.com).

# 1 Overview

MA01-AXCX4040 supports the acquisition of 4-channel sensor switch input (DI), which is converted to serial port (RS485) and data is transmitted to configuration software or PLC. The serial port I/O networking module (also called "remote IO") that realizes the remote acquisition and control by issuing commands through the serial port to control 4 relay switch outputs (DO).

## 1.1 Brief Introduction

- Support ModBus RTU protocol;
- Support various configuration software/PLC/touch screen;
- RS485 acquisition and control IO;
- DC 8~28V power supply;
- 4-way switch input DI (dry node);
- 4-channel switch output DO (relay);
- Switch input (DI) supports counting function;
- The switch input (DI) supports rising edge, falling edge, and level trigger mode;
- Switch output (DO) supports level mode, pulse mode, follow mode;
- The output port is designed with arc extinguishing protection;
- Communication baud rate 1200~115200 (default 9600), support custom setting;
- Supports 1~247 slave stations, 5-digit DIP switch can set 1~31 address code, more than 31 can be set by software.



## 2 Quick Start

If there is any questions during use, click this link to get technical support: <https://www.ebyte.com/product-class.aspx>

### 2.1 Preparation

Before using the serial port I/O networking device (hereinafter referred to as "IO device"), you need to prepare a computer, converter, power supply, screwdriver and other related auxiliary materials. details as follows:

Order	Device	Number
1	IO device	1
2	USB to serial converter	1
3	Configuration tool software	1
4	computer	1
5	Power adapter (12V/1A)	1
6	Screwdriver (Slot SL 2)	1
7	Signal generator (or sensor)	1

### 2.2 Wiring

#### 2.2.1 Power wiring

(1) Power supply, using DC 8-28V power supply, can also use DC 12V or 24V power supply.



2-2-1 Wiring diagram of power

### 2.2.2 With RS485

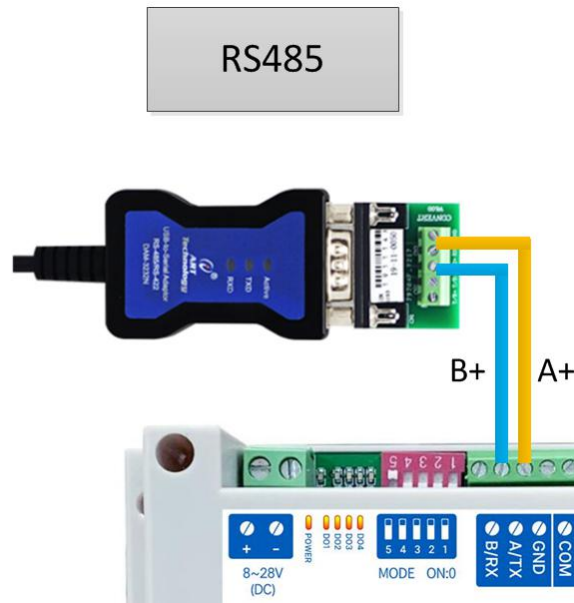
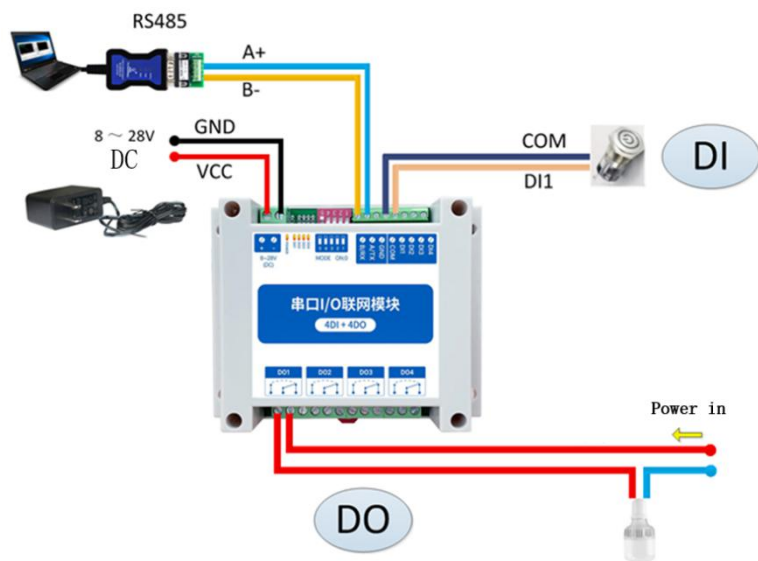


图 2-2-2 RS485 wiring diagram

### 2.2.3 Overall wiring diagram

- (1) After the equipment is powered on, the power indicator (POWER) is always on, and the equipment power supply is normal.
- (2) Switch input DI wiring, connect the control button to the switch input DI port as shown in the figure.
- (3) Switch output DO wiring, connect the load to the switch output DO port as shown in the figure.



2-2-3 Overall wiring diagram

## 2.3 Setting

### 2.3.1 Get connected

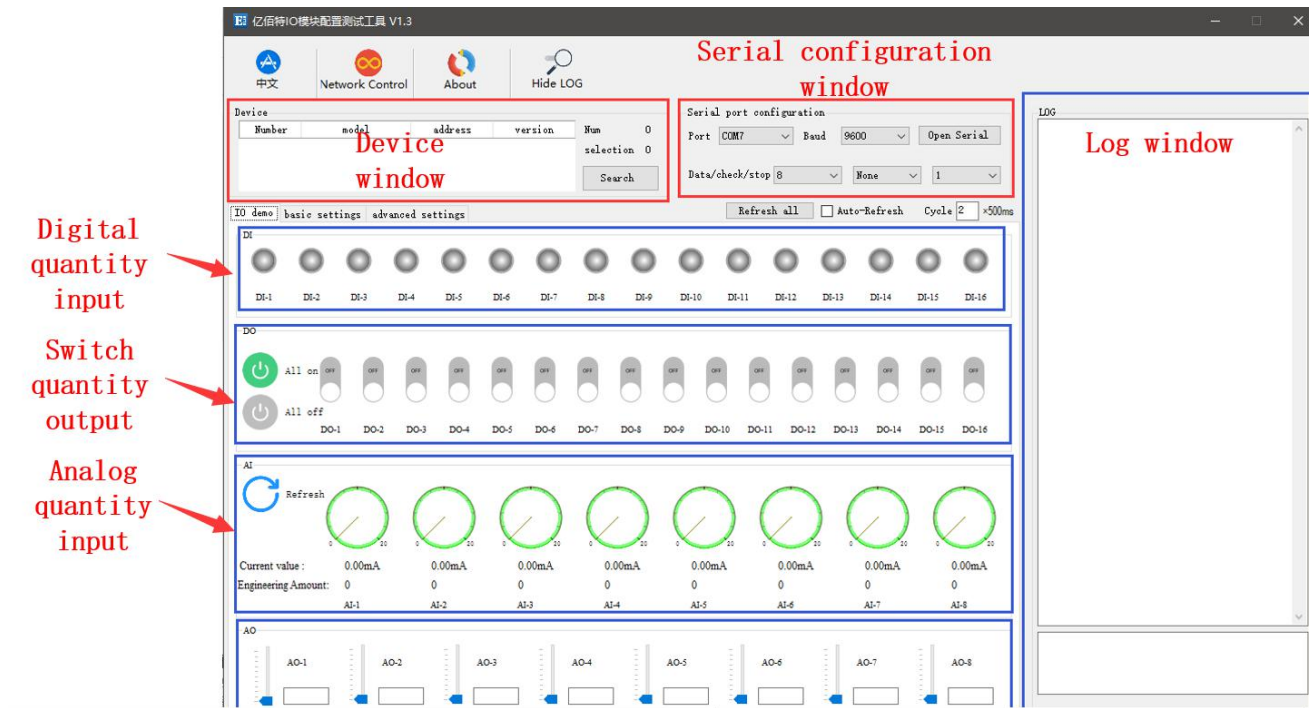
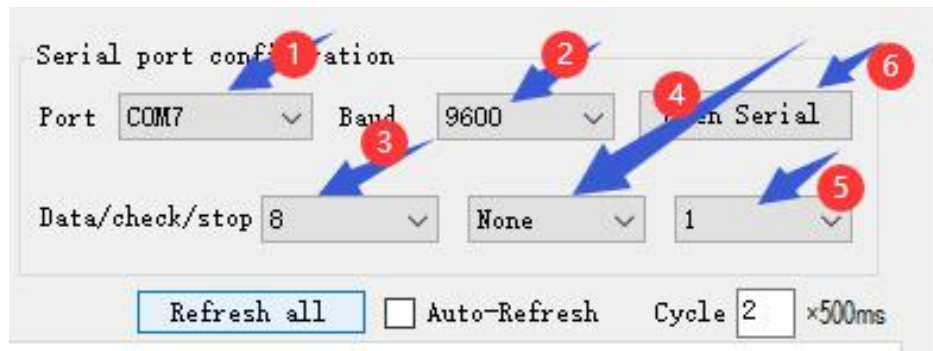


Figure 2-3-1 Software interface

Steps:

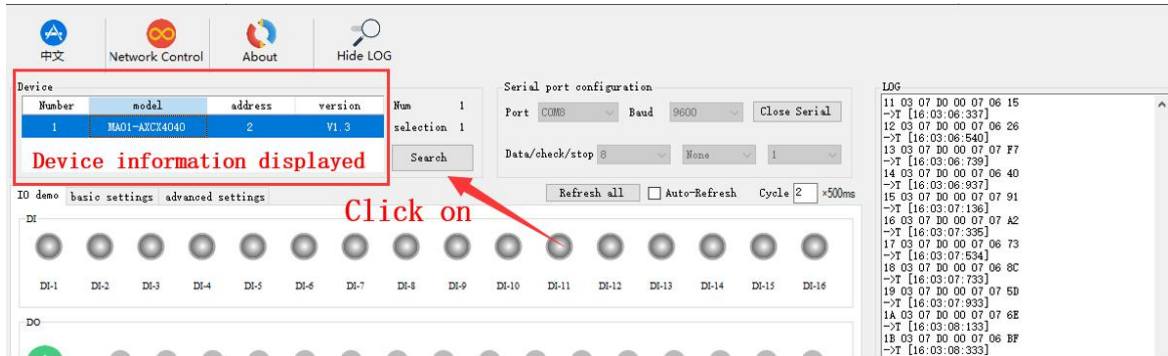
- (1) Open the serial port, find the corresponding device port number, the baud rate defaults to 9600, and click "open serial port".



2-3-2 open the serial port

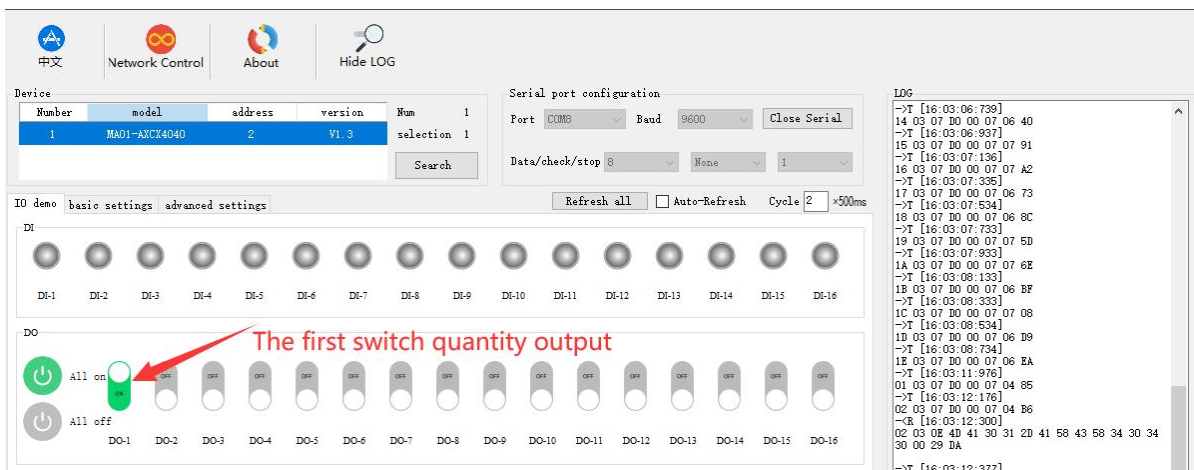


(2) In the device window, click "Search Device", and the log window on the right will start refreshing the search information. After the connected device is displayed in the device column of the device window, click the "Stop Searching" menu. Then select the device and click, the connection is successful.

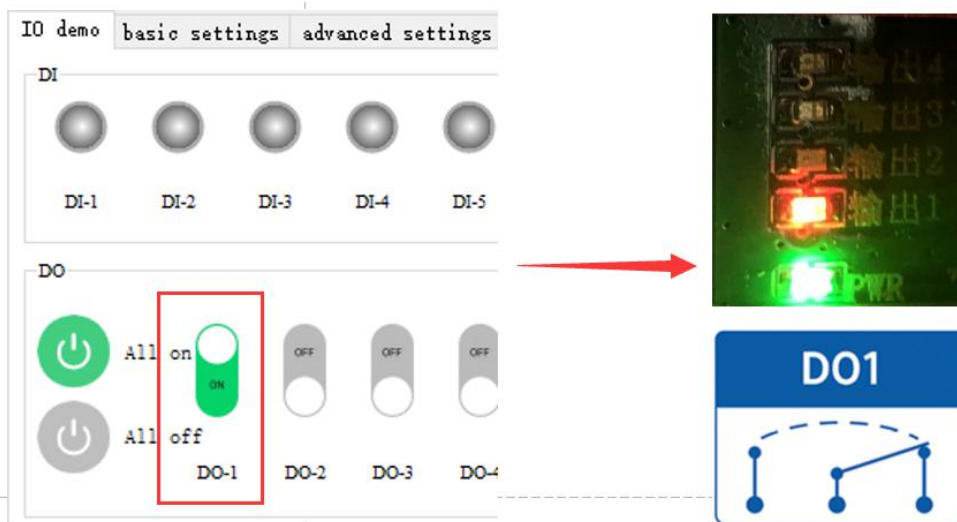


2-3-3 get connected to the device

### 2.3.2 Testing



2-3-4 testing



2-3-5 Actual test results

## 3 Parameters

### 3.1 Model details

3-1-1 Product specifications

product	version	DI	AI	DO	RS485	RS232
MA01-AXCX4020	4DI+2DO	4 way	—	2 way	●	×
MA02-AXCX4020		4 way	—	2 way	×	●
MA01-XACX0420	4AI+2DO	—	4 way	2 way	●	×
MA02-XACX0420		—	4 way	2 way	×	●
MA01-AACX2220	2DI+2AI+2DO	2 way	2 way	2 way	●	×
MA02-AACX2220		2 way	2 way	2 way	×	●
MA01-AXCX4040	4DI+4DO	4 way	—	4 way	●	×
MA02-AXCX4040		4 way	—	4 way	×	●
MA01-XACX0440	4AI+4DO	—	4 way	4 way	●	×
MA02-XACX0440		—	4 way	4 way	×	●
MA01-AACX2240	2DI+2AI+4DO	2 way	2 way	4 way	●	×
MA02-AACX2240		2 way	2 way	4 way	×	●
MA01-XXCX0080	8DO	—	—	8 way	●	×
MA02-XXCX0080		—	—	8 way	×	●

### 3.2 Regular parameters

category	name	parameter
power supply	Operating Voltage	DC 8~28V
	Working current	50mA @ 12V
	Power indicator	Green LED indication
Serial port	Communication Interface	RS485
	Baud rate	1200~115200 bps (default 9600 bps)
	Check Digit	No parity, odd parity, even parity (no parity by default)
	Data bit	8-bit
	Stop bit	1 person
	Protocol	Modbus RTU protocol
	Device address	1~247 (default address: 32)
DI	Number of DI	4 way
	Interface Type	Dry node
	Trigger method	Rising edge, falling edge, level (default level)
	Filter parameter	1~16 (default 6)
	Acquisition frequency	1 kHz
	Input instructions	Green LED indication
DO	Number of DO	4 way
	DO output type	Type C relay (normally open + normally closed)
	DO output mode	Level mode, pulse mode
	Relay contact capacity	30V/10A, 250V/10A
	Output indication	Red LED indication
Others	Product Size	115 mm * 90 mm * 40mm (length * width * height)
	product weight	160g ± 5g
	Working temperature and humidity	-40 ~ +85℃, 5%~95%RH (non-condensing)
	Storage temperature and humidity	-60 ~ +125℃, 5%~95%RH (non-condensing)
	Installation method	Rail installation/location hole installation

### 3.3 Port description



Figure 3-3-1 Interface diagram

number	pin	definition	note
1	+	Power supply + (8~28V)	Suggest RVV 2*0.75 wire
2	-	Grounding-(8~28V)	
3	B/RX	RS485 corresponding to B	Recommend RVSP 3*0.5 wire
4	A/TX	RS485 corresponds to A	
5	GND	Signal ground	
6	COM	Input channel common	Recommend RVV 2*0.5 wire
7	DI1	Switch input channel 1	
8	DI2	Switch input channel 2	
9	DI3	Switch input channel 3	
10	DI4	Switch input channel 4	The relay has normally open and normally closed terminals
11	DO1	Switch output channel 1	
12	DO2	Switch output channel 2	
13	DO3	Switch output channel 3	
14	DO4	Switch output channel 4	

### 3.4 Size

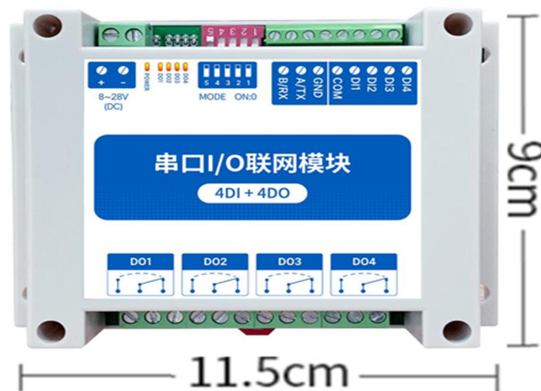
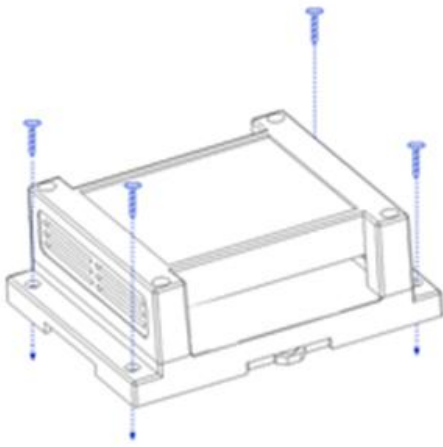


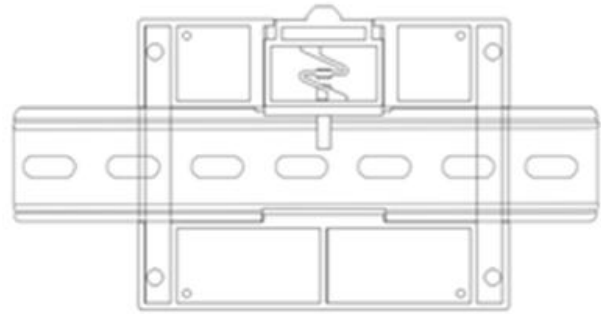
Figure 3-4-1 Dimensional drawing

### 3.5 installation

The equipment supports positioning hole installation or guide rail method.



Positioning hole installation



Rail installation

Figure 3-5-1 Installation method

## 4 Detailed function

### 4.1 Switch input DI

#### 4.1.1 Switch input DI collection

Switch input DI to measure level signal or edge pulse signal (rising edge, falling edge). Support dry node collection, support DI counting function, the maximum count is 65535 (the count is automatically cleared when 65535 is exceeded).

The switch input DI supports three trigger modes: rising edge, falling edge, and level (the default level trigger mode).

The clearing method supports automatic clearing and manual clearing (default automatic clearing).

#### 4.1.2 Switch input DI filter parameters

When the switch inputs the DI to collect the signal, it needs to keep multiple sampling periods before confirming. The filter parameter can be set from 1 to 16 (default 6 sampling periods). The DI filter parameters can be set through the configuration software.

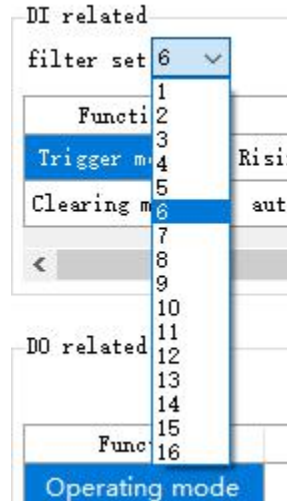


Figure 4-1-1 Setting DI filter parameters

## 4.2 Switch output DO

### 4.2.1 Switch output DO description

Switch output DO, with level mode, pulse mode, follow mode (only follow DI). Using C-type relay output (normally open + normally closed), the single-channel output supports a maximum load (contact capacity) of 30V/10A or 250V/10A.

Each DO output is designed with an output indicator (red LED indication) to indicate whether the output port is on or off.

When the LED indicator light is on, it means the relay is closed (normally open and normally closed);

When the LED indicator is off, it means that the relay is not closed (normally open off, normally closed on).

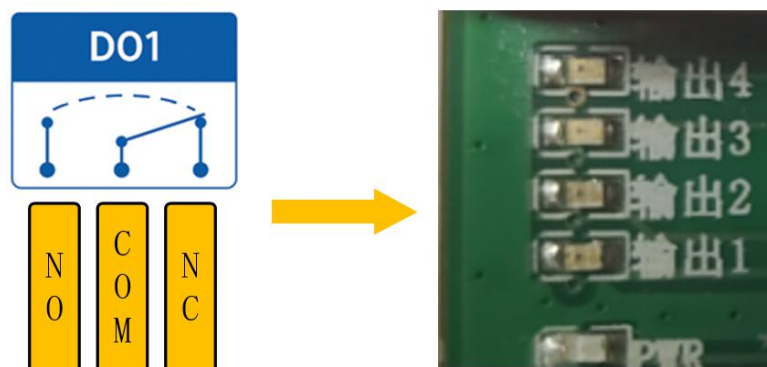


Figure 4-2-1 Switch output DO interface

## 4.2.2 Switch output DO mode setting

### (1) Level mode

Output according to the level set by the user. The switching characteristics of the level mode are similar to the function of a self-locking switch.

### (2) Pulse mode

After the switch output DO is turned on, the set pulse width time (in ms) is maintained, and the switch output DO is automatically turned off. The pulse width setting range is 50~65535 (default 50).

### (3) Follow mode

After the user sets the follow mode, set the follow input terminal. The switch output DO terminal is consistent with the DI input terminal.

Note: Multiple switch output DO terminals can be set to follow one DI input terminal, and one switch output DO terminal can not be set to follow multiple DI input terminals.

## 4.3 Device address

### 4.3.1 Device address

Device address composition: hardware address + software offset address

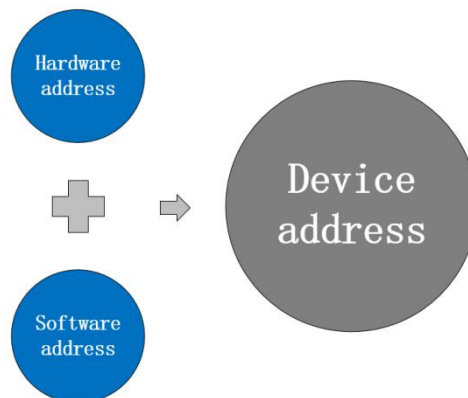


Figure 4-3-1 Device address

The default device address is: 1 (hardware address 0 + software address 1 = device address 1).

Device address setting range: 1~247.

Hardware address: realized by the dial switch (5 digits) dial setting (the factory default is 0).

Software address: It is realized by the "offset address" set by the configuration tool software (the factory default is 1).

For example:

If the hardware address is set to 5 and the software address is set to 113, the device address is 118.

### 4.3.2 Hardware address (dip switch)

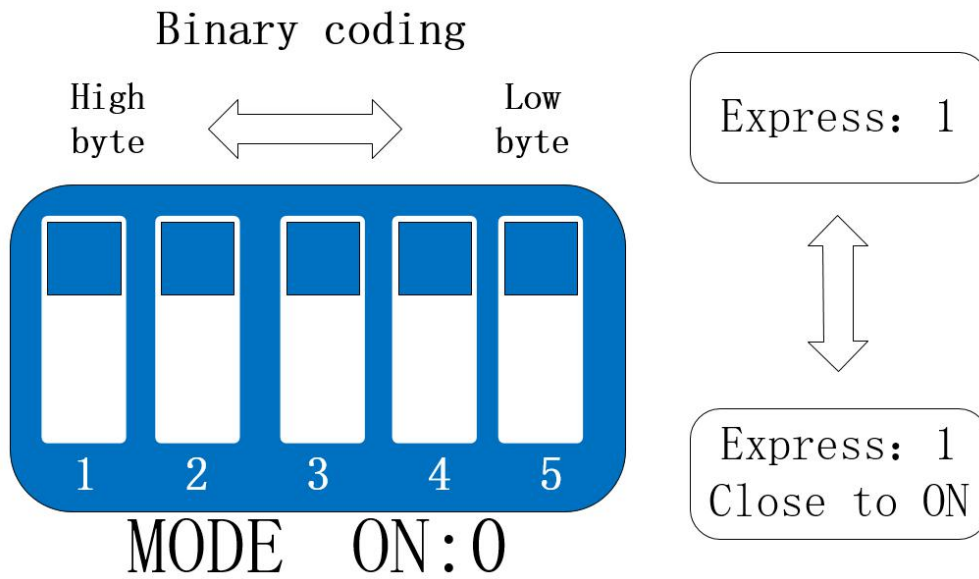


Figure 4-3-2 Hardware address (Dip switch)

Hardware address: The DIP switch can switch different hardware addresses, and the binary system represents the 5-digit DIP switch.

The "5" direction indicates the high position, and the "1" direction indicates the low position. The hardware address range can be adjusted from 0 to 31.

Hardware address dialing setting instructions:

Example 1: Set hardware address 0 (default), binary code.

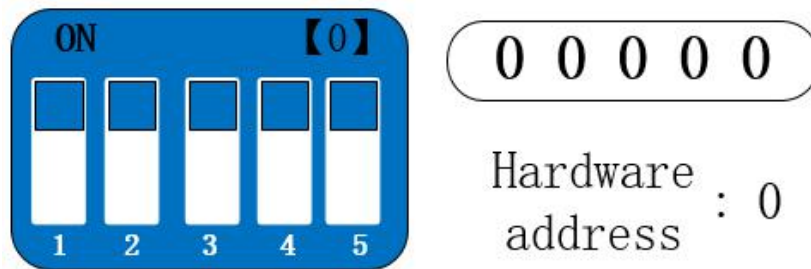


Figure 4-3-3 Hardware address 0

Example 2: Set the hardware address to 8, binary code.

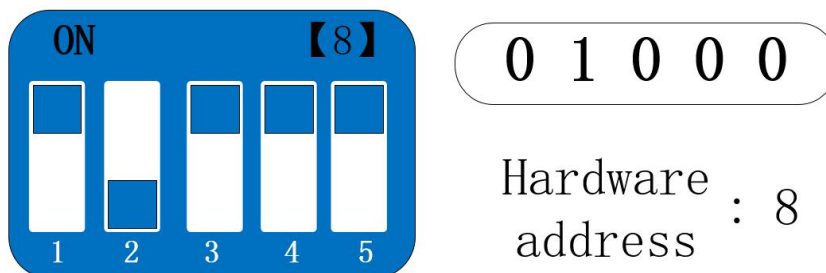


Figure 4-3-4 Hardware address 8



Example 3: Set hardware address 31, binary code.

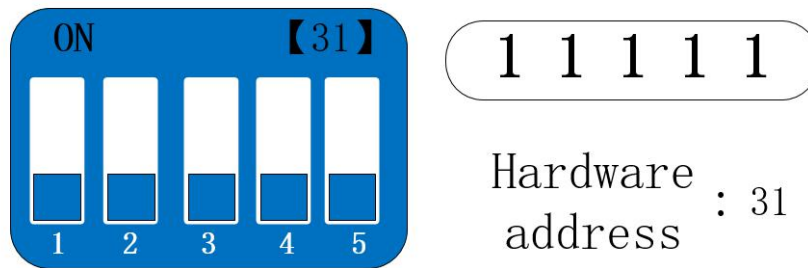


Figure 4-3-5 Hardware address 31

The hardware address can be customized according to the actual situation. The setting method is shown in the above example.

If multiple devices need to be connected to a single RS485 bus, only the hardware address is used. A single bus can be connected to a maximum of 32 devices (just set the hardware address).

If you need more than 32 devices to connect to a single RS485 bus, you need to set the software address (offset address) to realize a single bus to connect up to 247 devices.

After changing the address, you need to power off and restart the new address to take effect.

### 4.3.3 Software address (offset address)

Software address: The user can make different settings according to the scene. The software address setting range is 1~216 (device address: 1~247), and the default software address is 1.

After changing the address, you need to power off and restart the new address to take effect.

To change the software address, it needs to be realized through the configuration tool software, as shown in the figure:



Figure 4-3-7 Software address (offset address)

## 5 Port wiring

### 5.1 Switch input DI port wiring

#### 5.1.1 Two-wire switch wiring

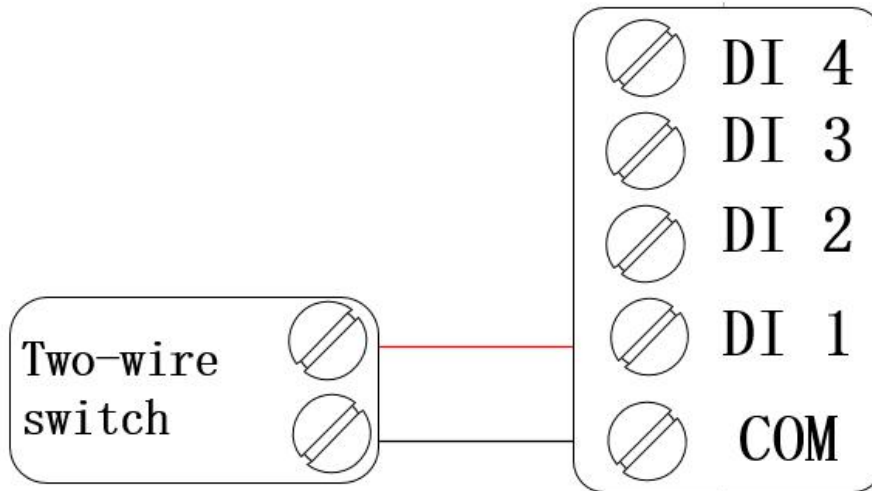


Figure 5-1-1 Wiring diagram of two-wire switch

#### 5.1.2 Three-wire switch wiring

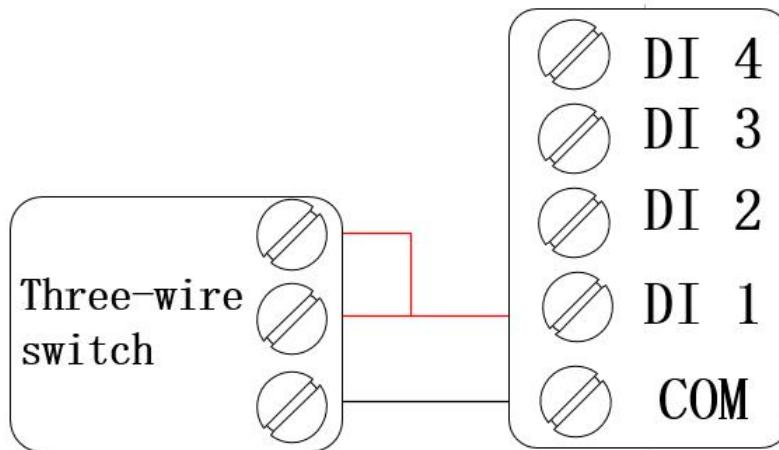


Figure 5-1-2 Wiring diagram of three-wire switch

### 5.1.3 Three-wire sensor wiring

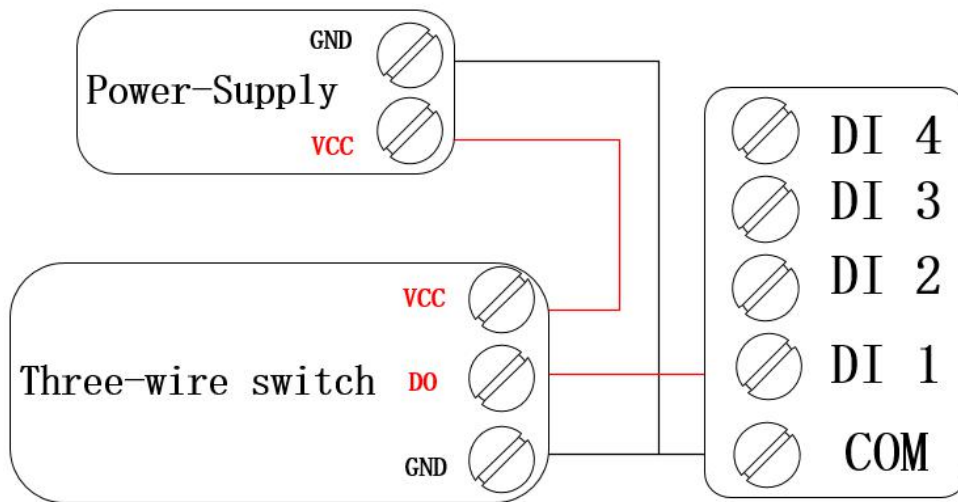


Figure 5-1-3 Three-wire sensor wiring diagram

## 5.2 Switch output DO port wiring

### 5.2.1 The output terminal directly controls the load (small power equipment within 1kW)

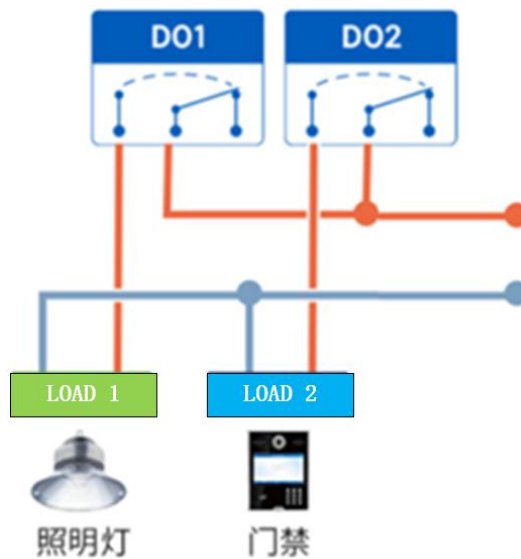


Figure 5-2-1 The output terminal directly controls the load wiring diagram

### 5.2.2 Output terminal control contactor (contactor controls high-power 220V equipment)

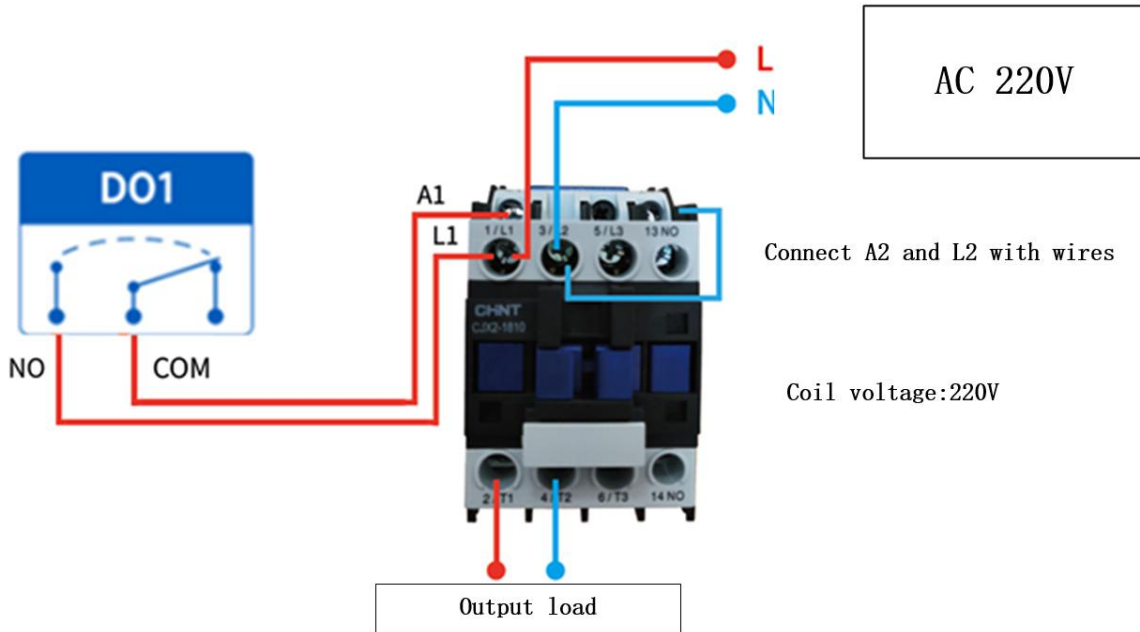


Figure 5-2-2 Wiring diagram of output terminal control contactor

Remarks: The above figure takes the contactor coil voltage AC 220V as an example. The coil voltage of different contactors may be different.

### 5.2.3 Output terminal control contactor (contactor controls high-power 380V equipment)

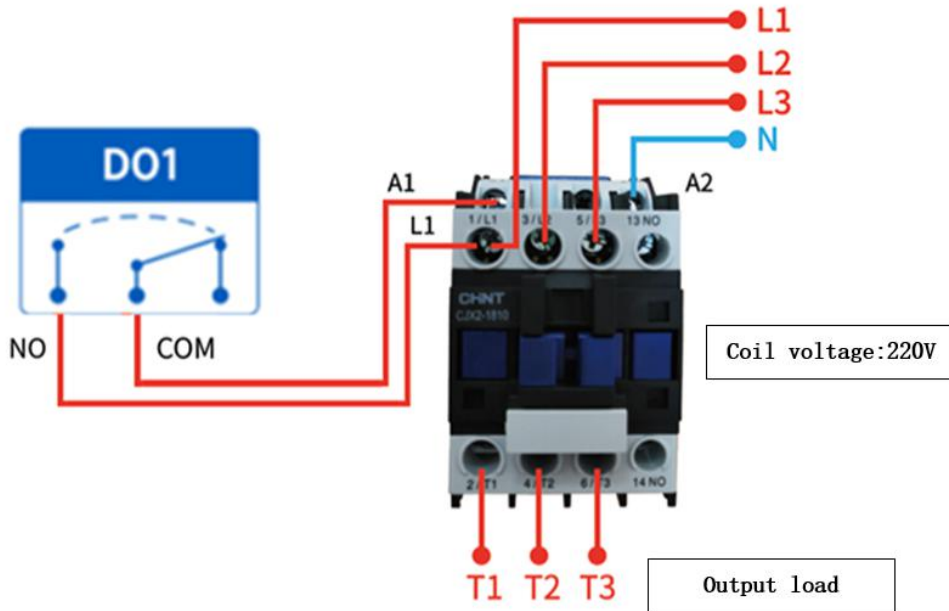


Figure 5-2-3 Wiring diagram of output terminal control contactor

Remarks: The above figure takes the contactor coil voltage AC 220V as an example. The coil voltage of different contactors may be different.

## 6 Software use

### 6.1 Software Installation

The configuration tool software is driver-free installation, directly double-click the .exe file to open it and use it.



Figure 6-1-1 Software installation file

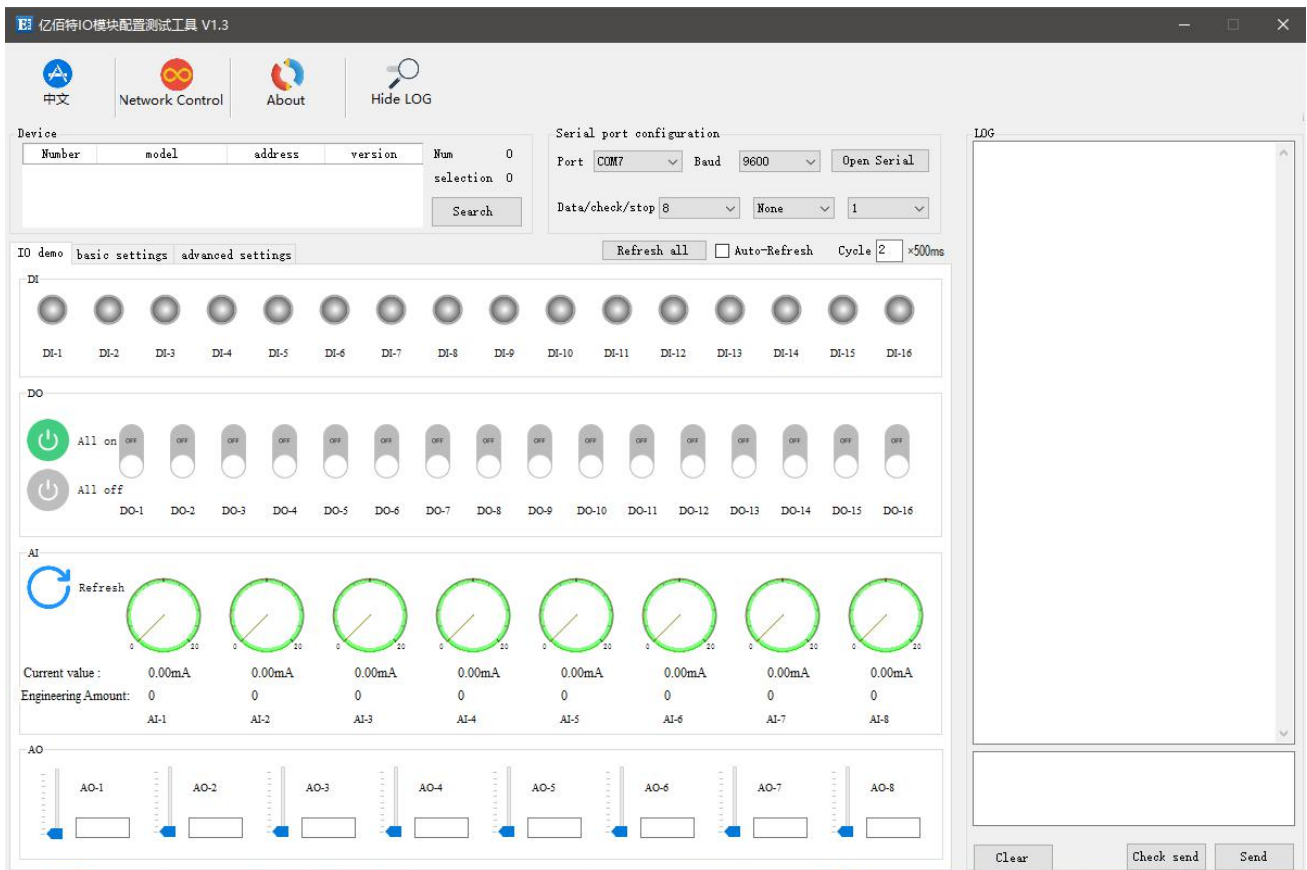


Figure 6-1-2 Successful software installation opens the interface

## 6.2 Software function introduction

### 6.2.1 IO Demo interface

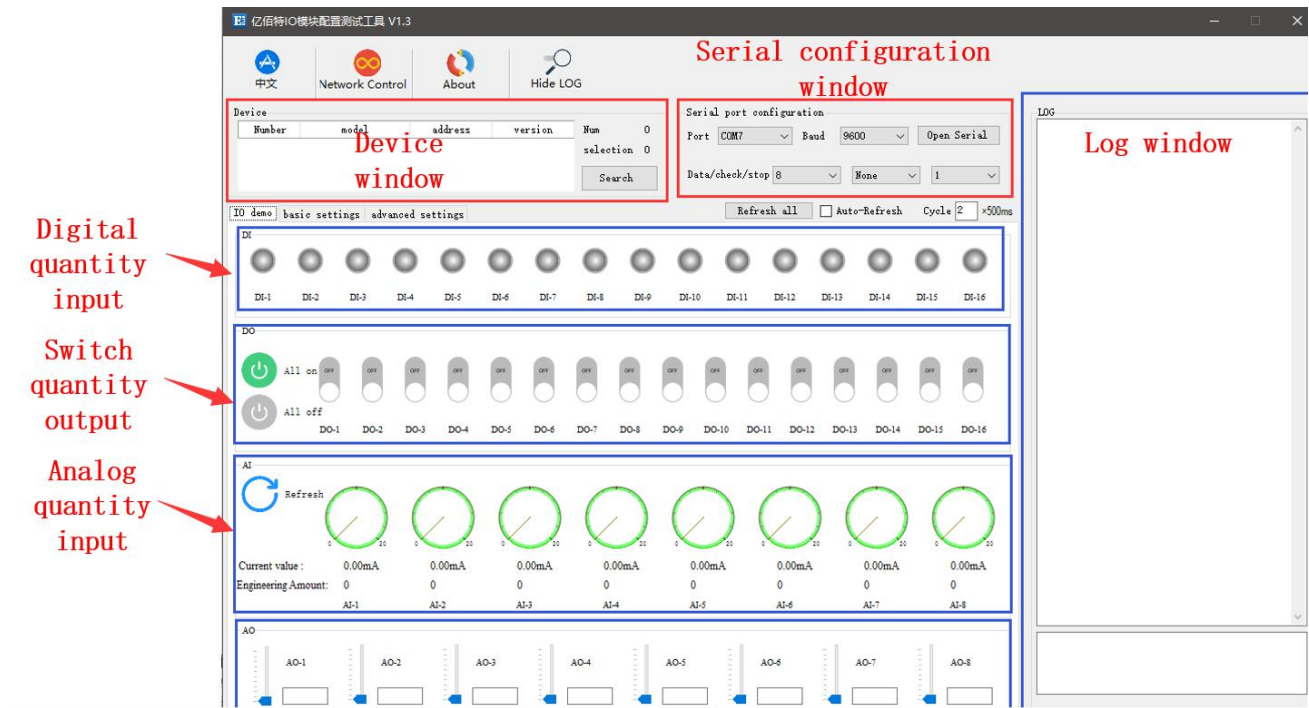


Figure 6-2-1 Software IO demo interface

#### (1) Device window

Display the information of the currently connected device (serial number, device model, device address, firmware version).

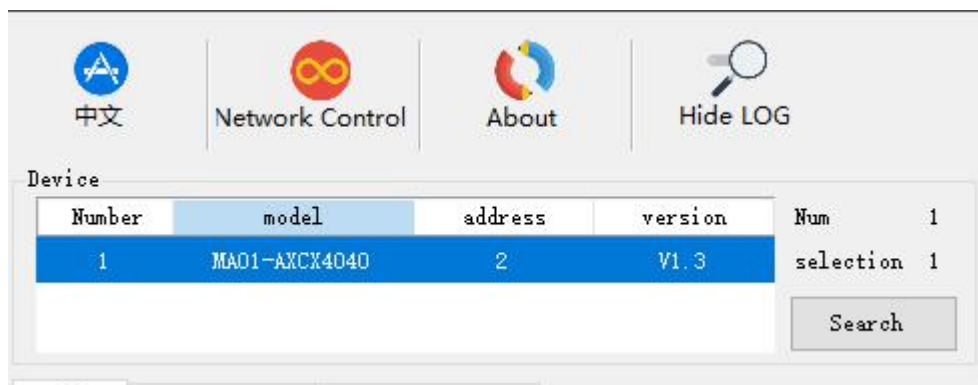


Figure 6-2-2 Device window interface

#### (2) Serial port parameter window

Display the serial port parameter information (port, baud rate, data bit, parity bit, stop bit, etc.), and open the serial port.



Figure 6-2-3 Serial port parameter window interface

(3) Log window

Display the running log information (send and return data commands) during the configuration and use of the device.

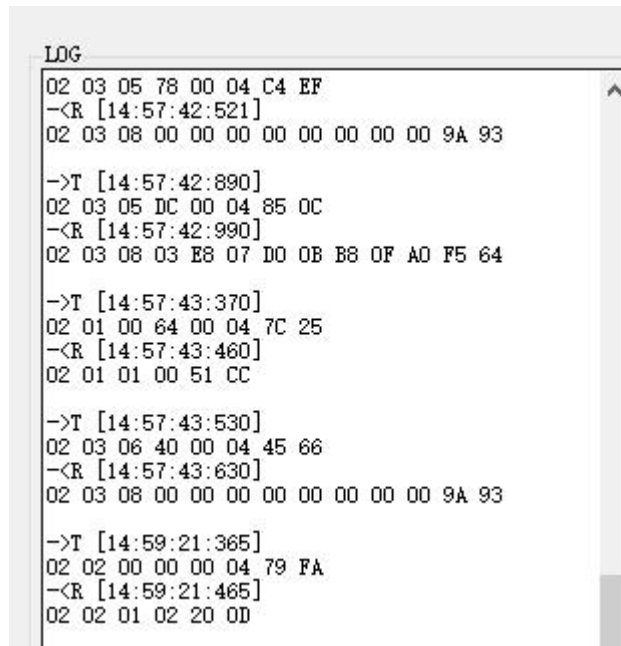


Figure 6-2-4 Log window interface

(4) Switch input DI [This function is limited to devices that support DI]

Display the status of the digital input DI port.

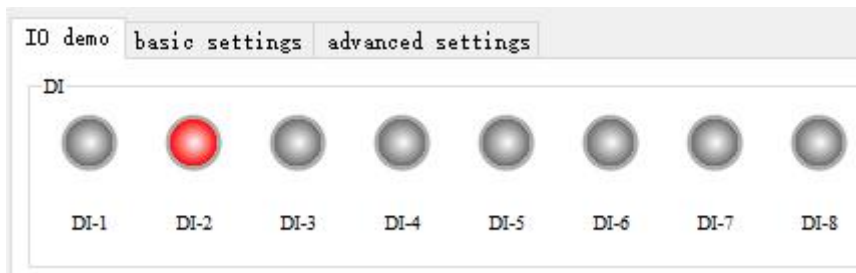


Figure 6-2-4 Switch input DI interface

(5) Switch output DO

Display the status of the switch output DO port and graphically set the switch output DO port on and off.

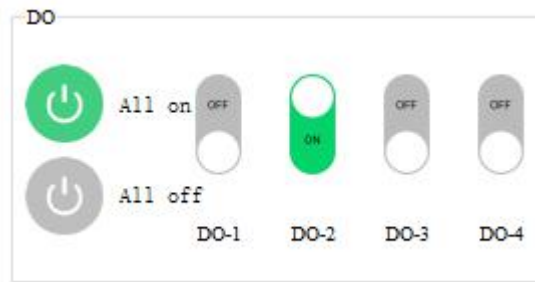


Figure 6-2-5 Switch output DO interface

(6) Analog input AI [This function is limited to devices that support AI]

Display the status of the analog input AI port (current quantity, engineering quantity), graphical needle indication.

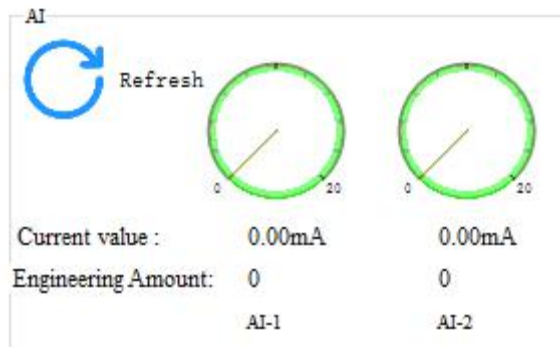


Figure 6-2-6 Analog input AI interface

(7) Refresh settings

Support manual refresh, automatic refresh status. The automatic refresh state can customize the refresh cycle (the custom cycle is a multiple of 500ms).

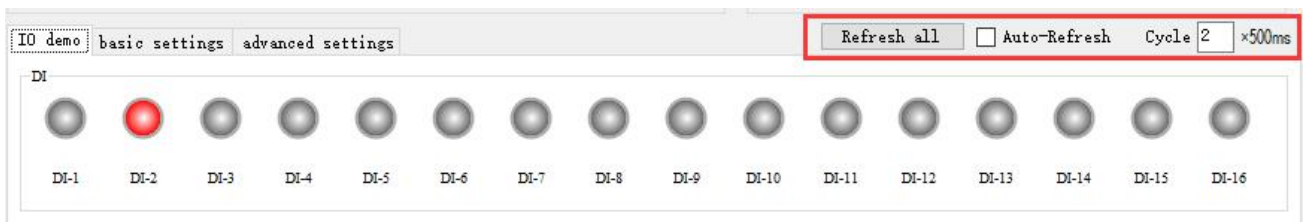


Figure 6-2-7 Refresh setting interface



### 6.2.2 Basic setting interface

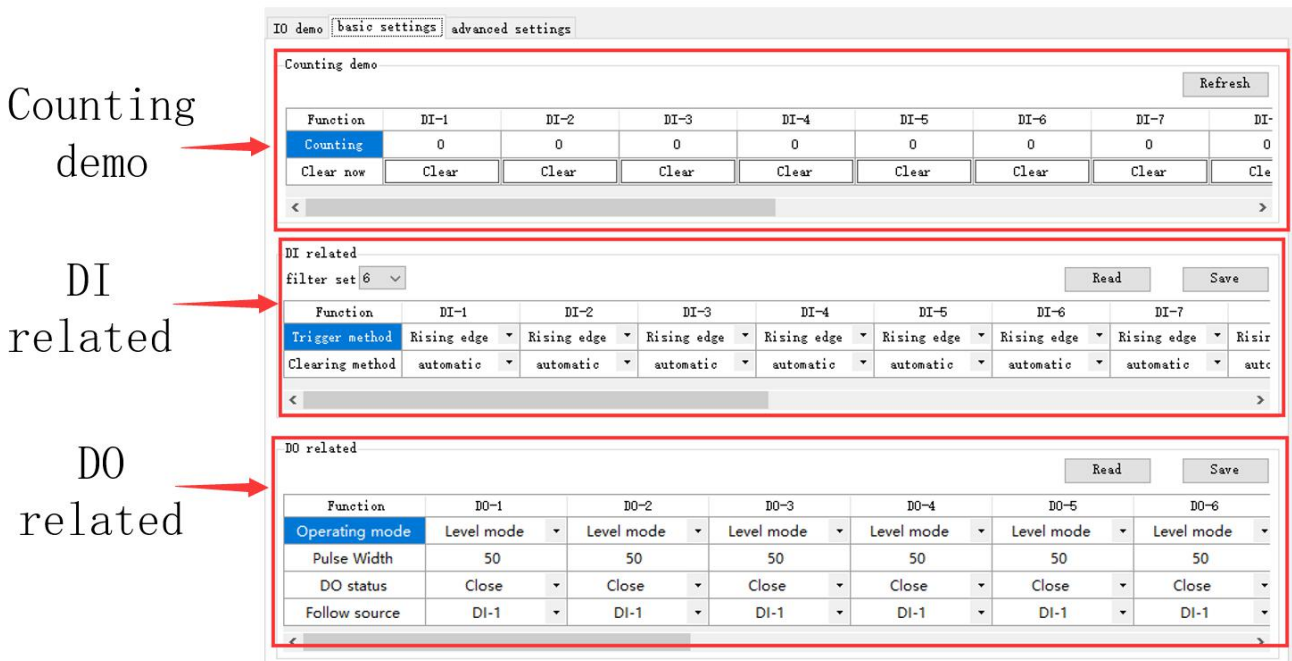


Figure 6-2-8 Basic setting interface

(1) Counting demonstration

Display DI count information and clear settings. [This function is limited to devices that support DI]

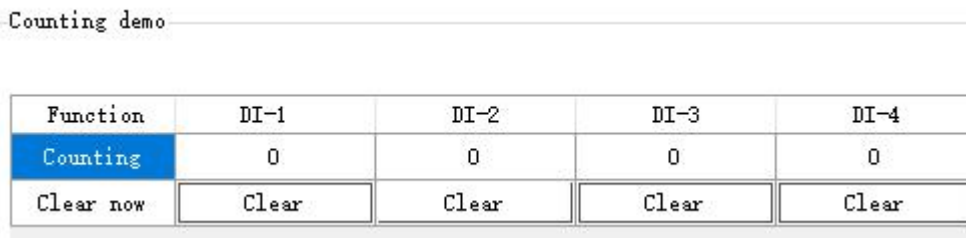


Figure 6-2-9 Counting demo interface

(2) DI related

Set the DI function. Set filter parameters (1 ~ 16), trigger mode (rising edge, falling edge, level), and clearing method (automatic, manual). [This function is limited to devices that support DI]

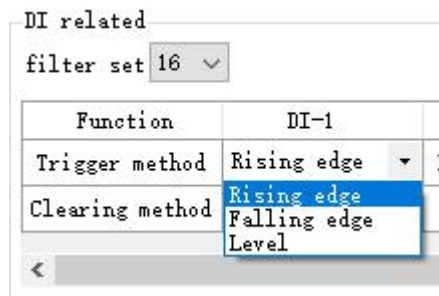


Figure 6-2-10 "DI related" interface

(3) DO related

Set the DO function, set the working mode (level mode, pulse mode, follow mode), set the pulse width (only in pulse mode), DO power-on state (on, off), follow source (follow setting DIx).

Note: Multiple switch output DO terminals can be set to follow one DI input terminal, and one switch output DO terminal can not be set to follow multiple DI input terminals. [Follow mode is limited to devices that support DI]

DO related

Function	DO-1	DO-2
Operating mode	Level mode	Level mode
Pulse Width	1000	2000
DO status	Close	Close
Follow source	DI-1	DI-1

Function	DO-1	DO-2
Operating mode	Level mode	Level mode
Pulse Width	1000	2000
DO status	Close	Close
Follow source	DI-1	DI-1

Figure 6-2-11 "DO Related" interface

### 6.2.3 Advanced settings interface

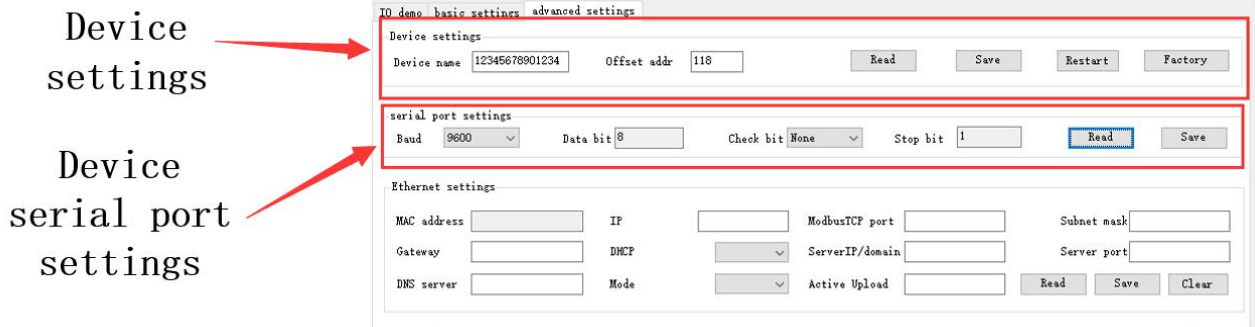


Figure 6-2-12 Advanced setting interface

(1) Equipment settings

The advanced setting interface supports device name setting, offset address (software address), read parameters, open write protection, close write protection, restart the module, and restore factory settings.



Figure 6-2-13 Device setting interface

(2) Device serial port settings

Support to set the baud rate, you can set the baud rate (1200, 2400, 4800, 9600, 19200, 38400, 57600, 115200), the default is 115200.

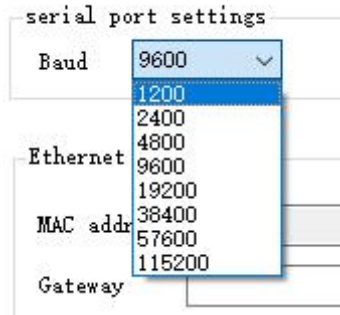


Figure 6-2-14 Baud rate setting interface

Support setting check digit, can set check digit (none, odd check, even check), default no check.

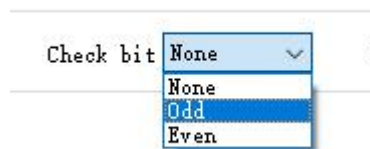


Figure 6-2-16 Check Digit Setting Interface

### 6.3 Device status query

The configuration software supports device status query. After connecting the device, you can query the device status through the "Refresh All Data" menu.

Example: The configuration software has connected 2 devices, try to query and select one of the devices, and click the "Refresh All Data" menu to complete the device status query.

(1) IO demo interface

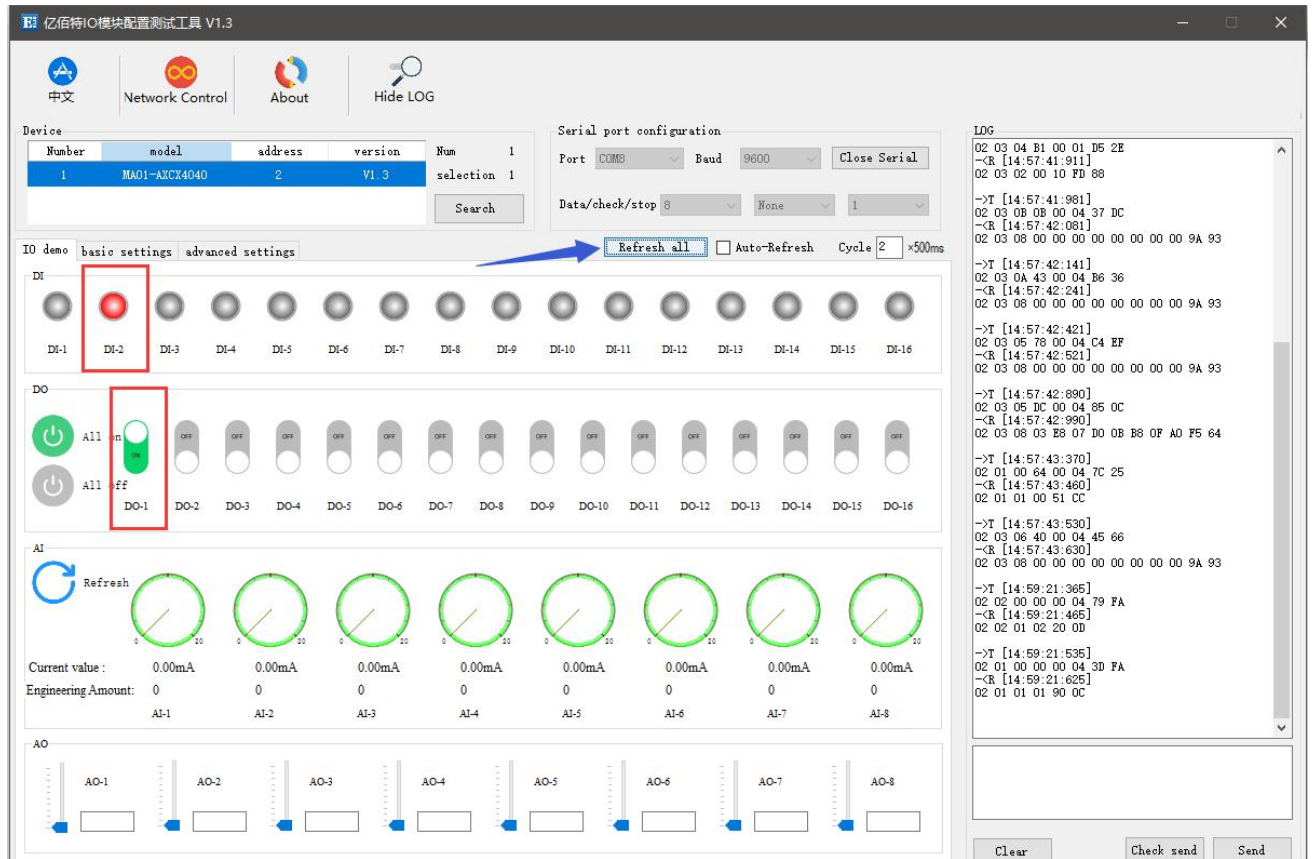


Figure 6-3-1 Device status query (IO demo interface)

(2) Basic setting interface

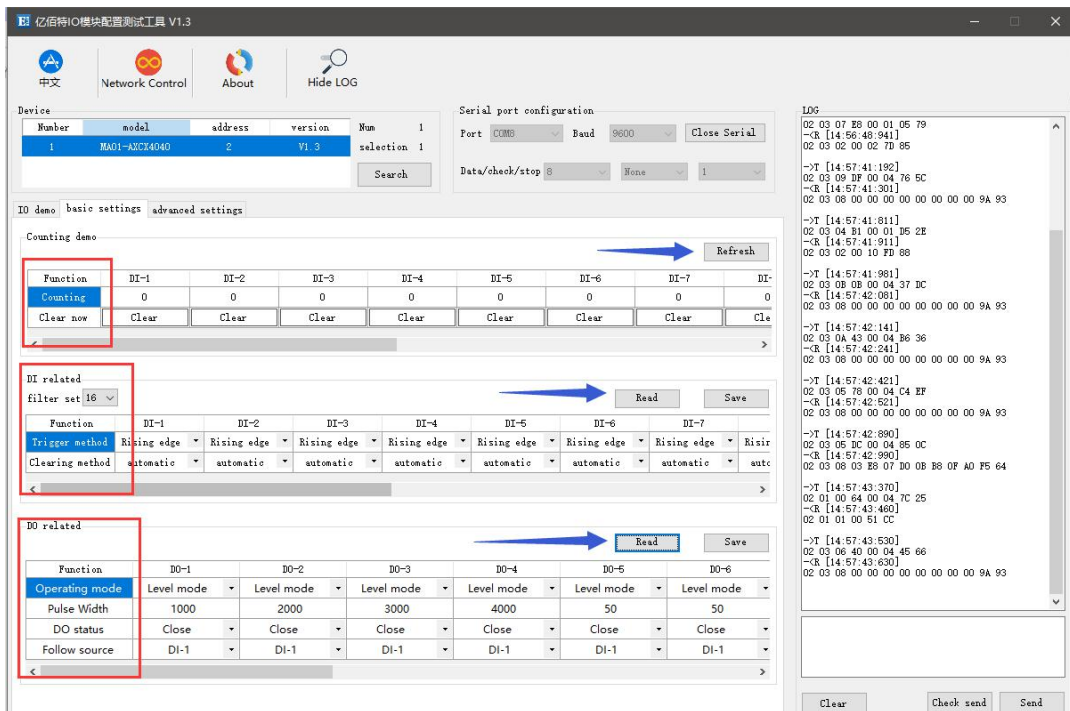


Figure 6-3-2 Device status query (basic setting interface)

### (3) Advanced setting interface

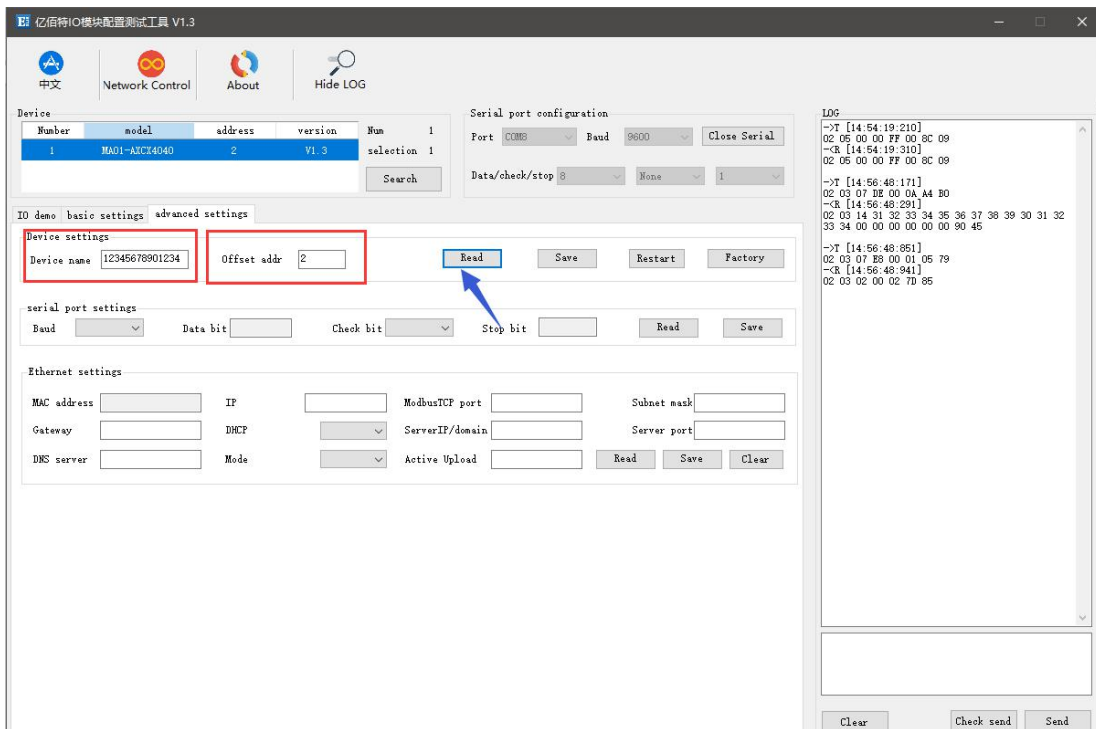


Figure 6-3-3 Device status query (advanced setting interface)

## 6.4 Equipment status control

Device status control, the device supports ModBus standard command control. It also supports configuration software graphical control.

Example: To control the device, open the DO-1 output port.

Method 1: Software graphical operation, click the menu button to control.

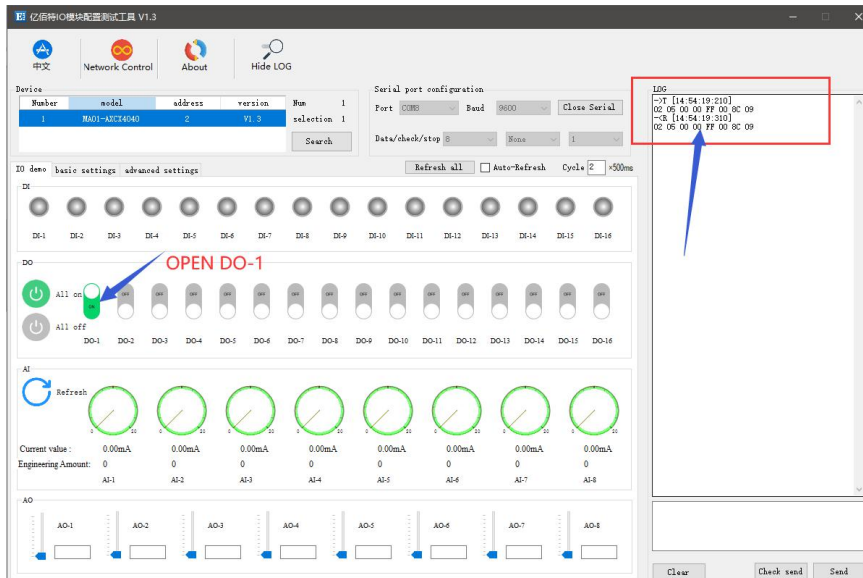


Figure 6-4-1 Software graphical operation

Method 2: Input command control.

Device address: 1

Function: open DO-1 output

Sending: 01 05 00 00 FF 00 8C 3A (including CRC check bit)

Return: 01 05 00 00 FF 00 8C 3A (including CRC check bit)

## 7 Modbus

### 7.1 Register list

Table 7-1-1 Register list

Register address	number	The contents of the register	state	data range	Applicable function code
(00000)0x0000	4	DO status	RW	0x00-0xFF, write to change the current DO status, read to get the current DO status.	0x01、0x05、0x0F
(00100)0x0064	4	The state of the DO when it is powered on	RW	0x00-0xFF, set the power-on state of the DO. After writing, the state of the DO is the set state after the next restart.	0x01、0x05、0x0F
(10000)0x0000	4	DI value	RW	0x00-0xFF, represents the current level signal of DI.	0x02
(42527)0x09DF	4	DI count value	RW	0x0000-0xFFFF, writing means the initial value of the set count, reading means reading the already counted value.	0x03、0x06、0x10
(41400)0x0578	4	DO working mode	RW	0x0000-0x0002, 0x0000 level mode (default mode), 0x0001 pulse mode, 0x0002 follow mode.	0x03、0x06、0x10
(41500)0x05DC	4	DO pulse width	RW	0x32-0xFFF (50-65535), the duration of the pulse, in ms.	0x03、0x06、0x10
(41318)0x0526	4	DI counting method	RW	0x0000-0x0002, 0x0000 means rising edge count, 0x0001 means falling edge count, 0x0002 means level	0x03、0x06、0x10

				count.	
(41304)0x0518	4	DI count value clearing method	RW	0x0000-0x0001,0x0000 automatic clearing mode, 0x0001 manual clearing.	0x03、0x06、0x10
(41311)0x051F	4	Set the clearing method	RW	0x0001-0x00FF.	0x03、0x06、0x10
(41600)0x0640	4	Set DO follow channel	RW	0x0001-0x0008, 0x0001 represents the first input.	0x03、0x06、0x10
(42000)0x07D0	7	Module model	R	See model definition table.	0x03
(42012)0x07DC	2	Firmware version	R	Firmware version number.	0x03
(42014)0x07DE	10	Module name	RW	The name can be up to 20 bytes long, including "\0".	0x03、0x06、0x10
(42027)0X07E8	1	Module address	RW	0x01-0xFC.	0x03、0x06、0x10
(42025)0X07E9	1	(Hardware address + software address)	RW	Write 5BB5, and the set parameters will be restored to the default parameters.	0x03、0x06、0x10
(42026)0x07EA	1	Restore default parameters	RW	Write 5BB5, the device will restart immediately	0x03、0x06、0x10
(42100)0x0834	1	Device restart	RW	See the baud rate code table, the default value is 0003, which is 9600.	0x03、0x06、0x10



## 7.2 Instruction format (partial)

### 7.2.1 Read DO output coil status

Use 01 function code to read the output coil status, for example: read the status of two output coils

20	01	00 00	00 02	XX XX
Device ModBus address	function code	Register start address	Number of output coils	CRC check code

After sending the above command to the device via the 485 bus, the device will return the following values:

20	01	01	02	XX XX
Device ModBus address	function code	Number of bytes of data	Status data returned	CRC check code

The status data 02 returned above indicates that the output DO2 is on.

### 7.2.2 Read holding register

Use 03 function code to read one or more register values, for example: read DO1 working mode.

20	03	05 78	00 01	XX XX
Device ModBus address	function code	Register start address	Register read quantity	CRC check code

After sending the above command to the device via the 485 bus, the device will return the following values:

20	03	02	00 00	XX XX
Device ModBus address	function code	Number of bytes of data	Returned data	CRC check code

The above 00 00 indicates that DO1 is in level mode.

### 7.2.3 Write a single holding register

Use 06 function code to write a single holding register, for example: set the working mode of DO1 to pulse mode

20	06	05 78	00 01	XX XX
Device ModBus address	function code	Register address	Data written	CRC check code

After sending the above command to the device via the 485 bus, the device will return the following values:

20	06	05 78	00 01	XX XX
Device ModBus address	function code	Register address	Data written	CRC check code

If the modification is successful, the 0x0578 register data is 0x0001.

### 7.2.4 Write multiple holding registers

Use 10 function code to write commands for multiple holding registers, for example: set the working mode of DO1-DO4 at the same time.

20	10	05 78	00 04	08	0001 0002	XX XX
Device ModBus address	function code	Register start address	Number of registers	The number of bytes of data written	Data written	CRC check code

After sending the above command to the device via the 485 bus, the device will return the following values:

20	10	05 78	00 04		XX XX
Device ModBus address	function code	Register address	Number of registers		CRC check code

If the modification is successful, the values of four consecutive registers with 0x0578 as the starting address are 0x0001, 0x0002, 0x0003, and 0x0000, respectively.

### 7.2.5 Write the status of a single DO coil

Use 05 command to write a single command, for example: set the working mode of DO1 to pulse mode

20	05	00 00	FF 00	XX XX
Device ModBus address	function code	Register address	Data written Coil action: conduction	CRC check code

After sending the above command to the device via the 485 bus, the device will return the following values:

20	05	00 00	FF 00	XX XX
Device ModBus address	function code	Register address	Write value	CRC check code

The DO1 coil is turned on.

## 7.2.6 Write multiple DO coil states

Use 0F function code to write a single command, for example: set the working mode of DO1 to pulse mode

20	0F	00 00	00 04	01	06	XX XX
Device ModBus address	function code	starting address	Number of coils	Number of bytes of data	Control coil data (bit operation)	CRC check code

After sending the above command to the device via the 485 bus, the device will return the following values:

20	0F	00 00	00 04	XX XX
Device ModBus address	function code	Register address	Number of coils	CRC check code

The coils of DO2 and DO3 are turned on.

## Copyrights Notice.

1. Ebyte reserves the right of final interpretation and modification of all contents in this manual.
2. Due to the continuous improvement of the hardware and software of the product, this manual may be changed without prior notice, and the latest version of the manual shall prevail.
3. It is everyone's responsibility to protect the environment: In order to reduce the use of paper, this manual only prints the Chinese part, and the English manual only provides electronic documents. If necessary, please download it from our official website; in addition, if not specifically requested by the user, the user may order in bulk. At the time, we only provide the product manual according to a certain proportion of the order quantity, not every RS485 bridge is matched with it, please understand.

## Revision history

Version	Date	Description	Issued by
1.0	2021-03-16	Initial version	ken
1.1	2021-05-31	Content reversion	HLL

## About us

Technical support: [support@cdebyte.com](mailto:support@cdebyte.com)

Documents and RF Setting download link: [www.ebyte.com](http://www.ebyte.com)

Thank you for using Ebyte products! Please contact us with any questions or suggestions:  
[info@cdebyte.com](mailto:info@cdebyte.com)



Phone: +86 028-61399028

Web: [www.ebyte.com](http://www.ebyte.com)

Address: B5 Mould Park, 199# Xiqu Ave, High-tech District, Sichuan, China

 **Chengdu Ebyte Electronic Technology Co.,Ltd.**