



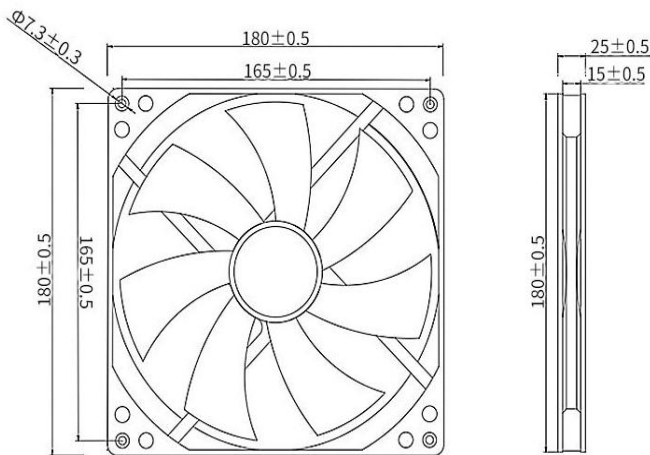
DC BRUSHLESS FAN

AF7D18025B 180*180*25MM

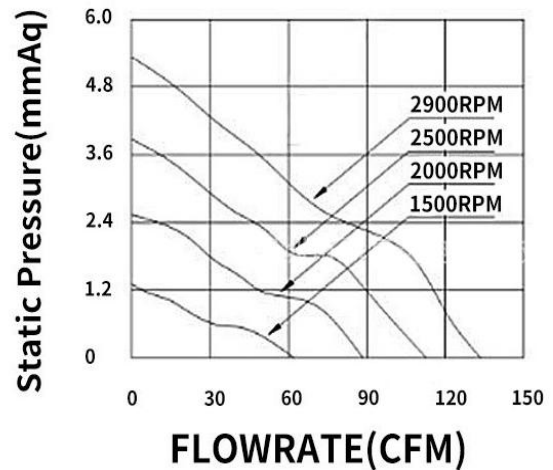
Motor:DC Brushless
 Bearing:Ball、sleeve、Hydraulic
 Shell frame: PBT UL94V_0
 Fan blade: PBT UL94V_0
 Insulation:Class B
 Wire:AWG#26UL1007 (optional)
 PIN1:BLACK WIRE---(-)
 PIN2:RED WIRE---(+)



DIMENSIONS DRAWING(unit:mm)



P@Q CURVE(AT RATEDVOLTAGE)



Model	Bearing Mode①	Rated Vol	Operating voltage	Rated curr	Rated input power	Speed	Maximum air Flow		Maximum Air pressure		Noise
		VDC	VDC	Amp	Watt		R. P. M	M3/min	CFM	mmH2O	
PART. NO.											
AF7D18025B12L	B=Ball S=Sleeve H=Hydraulic	12	7~13.5	0.24	2.88	1000	1.467	89	2.41	0.097	24.5
AF7D18025B12M		12	7~13.5	0.3	3.6	1400	2.373	100	3	0.128	26
AF7D18025B12H		12	7~13.5	0.35	4.2	1800	2.676	123.8	3.5	1.44	30
AF7D18025B24L		24	18~26.5	0.12	2.88	1000	1.467	89	2.41	0.097	24.5
AF7D18025B24M		24	18~26.5	0.2	3.6	1400	2.373	100	3	0.128	26
AF7D18025B24H		24	18~26.5	0.23	4.2	1800	2.676	123.8	3.5	1.44	30

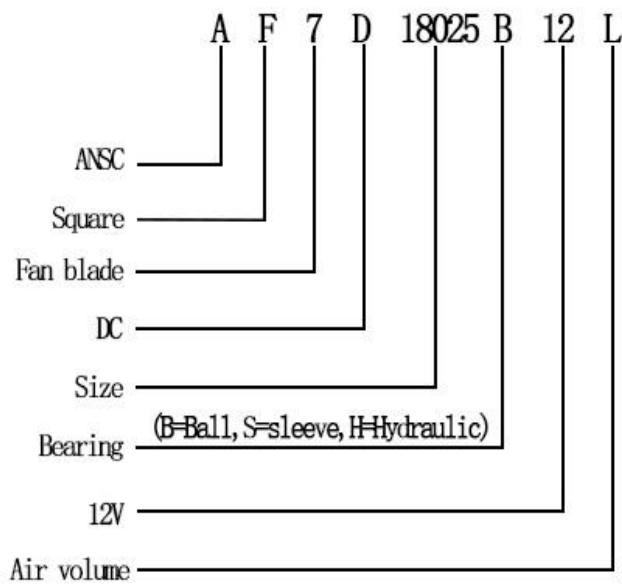
① Bearing Mode: Ball/ Sleeve/Hydraulic/Ball (UL)/Sleeve (UL)Hydraulic (UL)

② X=Function: FG RD RDL LD PWM TP VC RC CS RP SS AS CL IPX5

③ A=Plug

④ C=Customized by customers: Air volume, Air duct, Movement, Service life, Temperature, Noise, Material, Mold.etc.

导引： 编码规则Code Rule



*PROPRIETARY AND CONFIDENTIAL , THE INFORMATION CONTAINED IN THIS DRAWING IS THE SOLE PROPERTY OF <ALL NEW SEMI>.

ANY REPRODUCTION IN PART OR AS A WHOLE WITHOUT THE WRITTEN PERMISSION OF <ALL NEW SEMI> IS PROHIBITED.

<https://allnewsemi.com>
<https://allnewsemi.shop>