



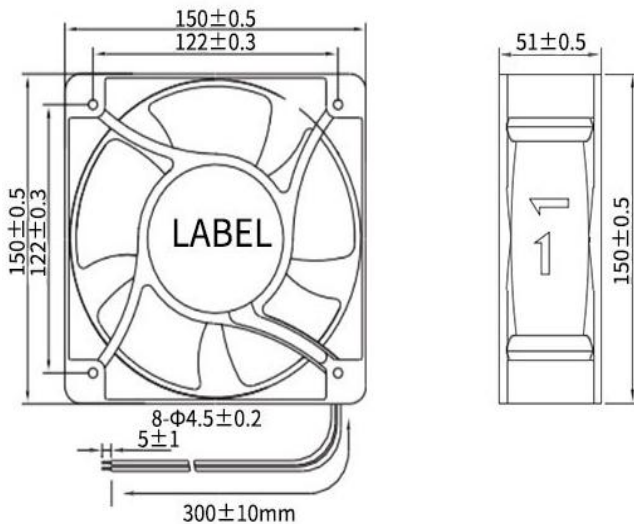
DC BRUSHLESS FAN

AF5D15050B 150*150*50mm

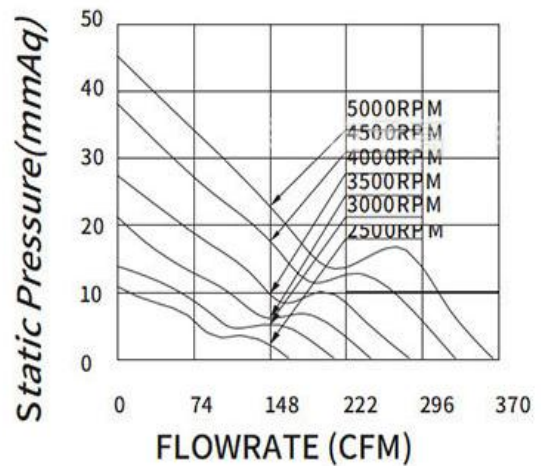
Motor:DC Brushless
 Bearing:Ball、sleeve、Hydraulic
 Shell frame: PBT UL94V-0
 Fan blade: PBT UL94V-0
 Insulation:Class B
 Wire:AWG#26UL1007 (optional)
 PIN1:BLACK WIRE---(-)
 PIN2:RED WIRE---(+)



DIMENSIONS DRAWING(unit:mm)



P@Q CURVE(AT RATED VOLTAGE)



Model	Bearing Mode①	Rated	Operating	Rated	Rated	Speed	Maximum		Maximum		Noise
		Volt	voltage range	current	input power		air Flow	Air pressure	mmH2O	InH2O	
PART. NO.		VDC	VDC	Amp	Walt	R. P. M	M3/min	CFM	mmH2O	InH2O	dB-A
AF5D15050B12L	B=Ball S=Sleeve H=Hydraulic	12	7~13.5	0.8	9.60	2500	4.877	172.21	10.92	0.43	56.1
AF5D15050B12M		12	7~13.5	2.4	28.80	3000	5.930	209.40	15.33	0.604	58.3
AF5D15050B12H		12	7~13.5	4.41	53.00	3500	7.026	248.09	21.33	0.84	62.5
AF5D15050B12HH		12	7~13.5	6	72.00	4000	8.015	283.00	27.36	1.077	65.5
AF5D15050B12VH		12	7~13.5	7.6	91.20	4500	9.220	325.57	37.57	1.479	68.2
AF5D15050B12HV		12	7~13.5	10	120.00	5000	#####	361.69	45.36	1.786	71.4
AF5D15050B24L		24	18~26.5	0.4	9.60	2500	4.877	172.21	10.92	0.43	56.1

AF5D15050B24M	B=Ball S=Sleeve H=Hydraulic	24	18~26.5	1.2	28.80	3000	5.930	209.40	15.33	0.604	58.3
AF5D15050B24H		24	18~26.5	2.2	53.00	3500	7.026	248.09	21.33	0.84	62.5
AF5D15050B24HH		24	18~26.5	3	72.00	4000	8.015	283.00	27.36	1.077	65.5
AF5D15050B24VH		24	18~26.5	3.8	91.20	4500	9.220	325.57	37.57	1.479	68.2
AF5D15050B24HV		24	18~26.5	5	120.00	5000	#####	361.69	45.36	1.786	71.4
AF5D15050B48L		48	36~54	0.2	9.60	2500	4.877	172.21	10.92	0.43	56.1
AF5D15050B48M		48	36~54	0.6	28.80	3000	5.930	209.40	15.33	0.604	58.3
AF5D15050B48H		48	36~54	1.1	53.00	3500	7.026	248.09	21.33	0.84	62.5
AF5D15050B48HH		48	36~54	1.5	72.00	4000	8.015	283.00	27.36	1.077	65.5
AF5D15050B48VH		48	36~54	1.9	91.20	4500	9.220	325.57	37.57	1.479	68.2
AF5D15050B48HV		48	36~54	2.5	120.00	5000	#####	361.69	45.36	1.786	71.4

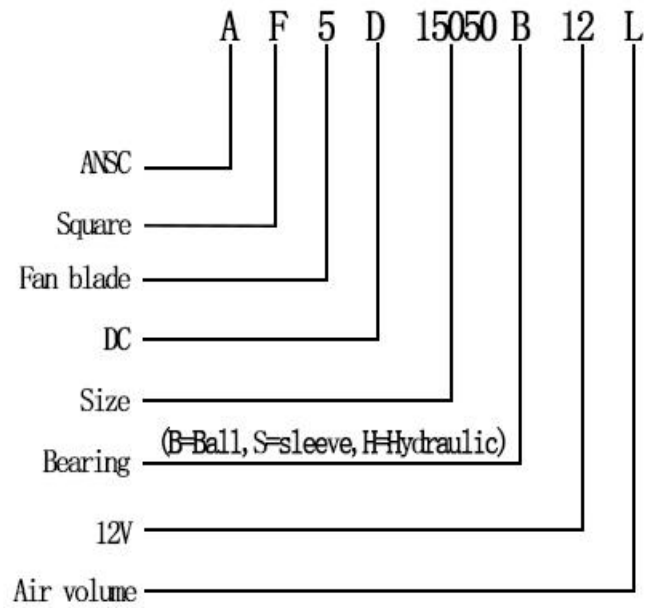
①Bearing Mode:Ball/ Sleeve/Hydraulic/Ball (UL)/Sleeve (UL)Hydraulic (UL)

②X=Function: FG RD RDL LD PWM TP VC RC CS RP SS AS CL IPX5

③A=Plug

④C=Customized by customers: Air volume, Air duct, Movement, Service life, Temperature, Noise, Material, Mold.etc.

导引：编码规则Code Rule



*PROPRIETARY AND CONFIDENTIAL , THE INFORMATION CONTAINED IN THIS DRAWING IS THE SOLE PROPERTY OF <ALL NEW SEMI>.
ANY REPRODUCTION IN PART OR AS A WHOLE WITHOUT THE WRITTEN PERMISSION OF <ALL NEW SEMI> IS PROHIBITED.

<https://allnewsemi.com>
<https://allnewsemi.shop>