



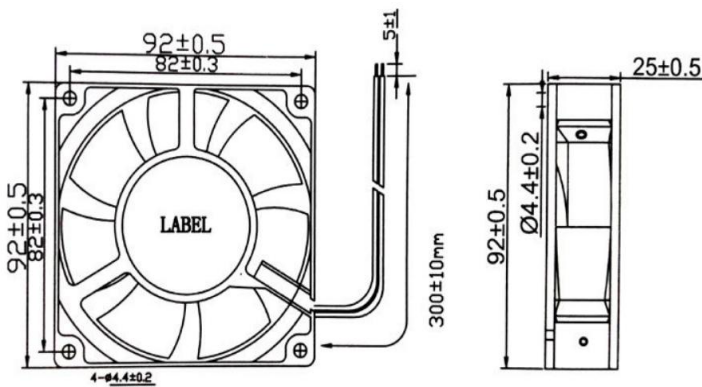
## DC BRUSHLESS FAN

**AF7D9225B 92\*92\*25mm**

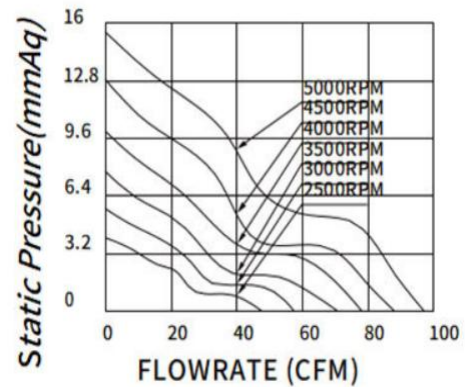
Motor:DC Brushless  
 Bearing:Ball、sleeve、Hydraulic  
 Shell frame: PBT UL94V-0  
 Fan blade: PBT UL94V-0  
 Insulation:Class B  
 Wire:AWG#26UL1007 (optional)  
 PIN1:BLACK WIRE---(-)  
 PIN2:RED WIRE---(+)



**DIMENSIONS DRAWING(unit:mm)**



**P@Q CURVE(AT RATED VOLTAGE)**



Model	Bearing Mode①	Rate d Volt	Operating voltage range	Rated current	Rated input power	Speed	Maximum air Flow		Maximum Air pressure		Noise
							M3/min	CFM	mmH2O	InH2O	
PART. NO.		VDC	VDC	Amp	Walt	R. P. M					dB-A
AF7D9225B12L	B=Ball S=Sleeve H=Hydraulic	12	7~13.5	0.3	3.60	2500	1.326	46.80	3.98	0.157	35.5
AF7D9225B12M		12	7~13.5	0.45	5.40	3000	1.605	56.60	5.71	0.225	41.1
AF7D9225B12H		12	7~13.5	0.51	6.12	3500	1.959	69.10	7.81	0.307	45.5
AF7D9225B12HH		12	7~13.5	0.64	7.68	4000	2.189	77.30	10.08	0.397	48.3
AF7D9225B12HV		12	7~13.5	0.81	9.72	4500	2.482	87.60	12.87	0.507	53.7
AF7D9225B12VH		12	7~13.5	1.1	13.20	5000	2.745	96.90	15.57	0.613	55.0
AF7D9225B24L		24	18~26.5	0.15	3.60	2500	1.326	46.80	3.98	0.157	35.5

AF7D9225B24M	B=Ball S=Sleeve H=Hydraulic	24	18~26.5	0.225	5.40	3000	1.605	56.60	5.71	0.225	41.1
AF7D9225B24H		24	18~26.5	0.255	6.12	3500	1.959	69.10	7.81	0.307	45.5
AF7D9225B24HH		24	18~26.5	0.32	7.68	4000	2.189	77.30	10.08	0.397	48.3
AF7D9225B24HV		24	18~26.5	0.4	9.72	4500	2.482	87.60	12.87	0.507	53.7
AF7D9225B24VH		24	18~26.5	0.55	13.20	5000	2.745	96.90	15.57	0.613	55.0
AF7D9225B48L		48	36~54	0.075	3.60	2500	1.326	46.80	3.98	0.157	35.5
AF7D9225B48M		48	36~54	0.11	5.40	3000	1.605	56.60	5.71	0.225	41.1
AF7D9225B48H		48	36~54	0.127	6.12	3500	1.959	69.10	7.81	0.307	45.5
AF7D9225B48HH		48	36~54	0.16	7.68	4000	2.189	77.30	10.08	0.397	48.3
AF7D9225B48HV		48	36~54	0.2	9.72	4500	2.482	87.60	12.87	0.507	53.7
AF7D9225B48VH		48	36~54	0.275	13.20	5000	2.745	96.90	15.57	0.613	55.0

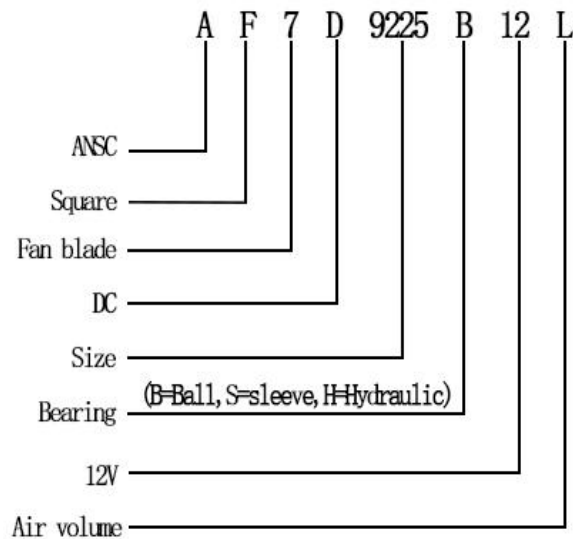
①Bearing Mode:Ball/ Sleeve/Hydraulic/Ball (UL)/Sleeve (UL)Hydraulic (UL)

②X=Function: FG RD RDL LD PWM TP VC RC CS RP SS AS CL IPX5

③A=Plug

④C=Customized by customers: Air volume, Air duct, Movement, Service life, Temperature, Noise, Material, Mold.etc.

导引：编码规则Code Rule



\*PROPRIETARY AND CONFIDENTIAL , THE INFORMATION CONTAINED IN THIS DRAWING IS THE  
SOLE PROPERTY OF <ALL NEW SEMI>.  
ANY REPRODUCTION IN PART OR AS A WHOLE WITHOUT THE WRITTEN PERMISSION OF  
<ALL NEW SEMI> IS PROHIBITED.

<https://allnewsemi.com>  
<https://allnewsemi.shop>