



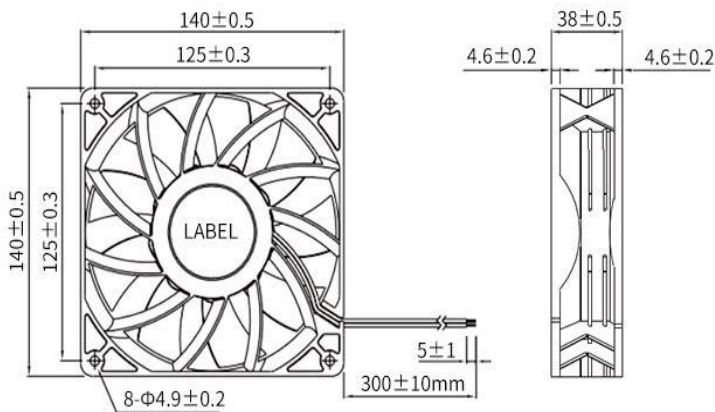
DC BRUSHLESS FAN

AF9D14038B 140*140*38mm

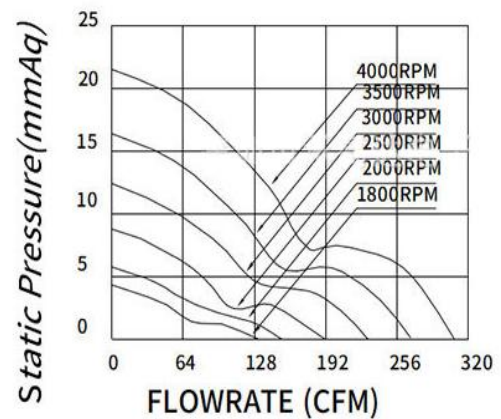
Motor:DC Brushless
 Bearing:Ball、sleeve、Hydraulic
 Shell frame: PBT UL94V-0
 Fan blade: PBT UL94V-0
 Insulation:Class B
 Wire:AWG#26UL1007 (optional)
 PIN1:BLACK WIRE---(-)
 PIN2:RED WIRE---(+)



DIMENSIONS DRAWING(unit:mm)



P@Q CURVE(AT RATED VOLTAGE)



Model	Bearing Mode①	Rated	Operating	Rated	Rated	Speed	Maximum		Maximum		Noise
		Volt	voltage range	current	input power		air Flow	Air pressure	mmH2O	InH2O	
PART. NO.		VDC	VDC	Amp	Walt	R. P. M	M3/min	CFM	mmH2O	InH2O	dB-A
AF9D14038B12L	B=Ball S=Sleeve H=Hydraulic	12	7.5~13.5	0.39	4.68	1800	3.774	133.30	4.24	0.167	43.8
AF9D14038B12M		12	7.5~13.5	0.51	6.12	2000	4.306	152.11	5.66	0.223	47.5
AF9D14038B12H		12	7.5~13.5	0.85	10.20	2500	5.411	191.13	8.74	0.344	53.5
AF9D14038B12HH		12	7.5~13.5	1.4	16.80	3000	6.532	230.73	12.40	0.488	58.2
AF9D14038B12VH		12	7.5~13.5	2.15	25.80	3500	7.598	268.37	16.35	0.644	62.0
AF9D14038B12HV		12	7.5~13.5	3.25	39.00	4000	8.698	307.25	21.50	0.846	66.2
AF9D14038B24L		24	18~26.5	0.2	4.80	1800	3.774	133.30	4.24	0.167	43.8

AF9D14038B24M	B=Ball S=Sleeve H=Hydraulic	24	18~26.5	0.25	6.00	2000	4.306	152.11	5.66	0.223	47.5
AF9D14038B24H		24	18~26.5	0.42	10.08	2500	5.411	191.13	8.74	0.344	53.5
AF9D14038B24HH		24	18~26.5	0.7	16.80	3000	6.532	230.73	12.40	0.488	58.2
AF9D14038B24VH		24	18~26.5	1.07	25.68	3500	7.598	268.37	16.35	0.644	62.0
AF9D14038B24HV		24	18~26.5	1.63	39.12	4000	8.698	307.25	21.50	0.846	66.2
AF9D14038B48L		48	36~54	0.1	4.80	1800	3.774	133.30	4.24	0.167	43.8
AF9D14038B48M		48	36~54	0.12	5.76	2000	4.306	152.11	5.66	0.223	47.5
AF9D14038B48H		48	36~54	0.21	10.08	2500	5.411	191.13	8.74	0.344	53.5
AF9D14038B48HH		48	36~54	0.35	16.80	3000	6.532	230.73	12.40	0.488	58.2
AF9D14038B48VH		48	36~54	0.53	25.44	3500	7.598	268.37	16.35	0.644	62.0
AF9D14038B48HV		48	36~54	0.81	38.88	4000	8.698	307.25	21.50	0.846	66.2

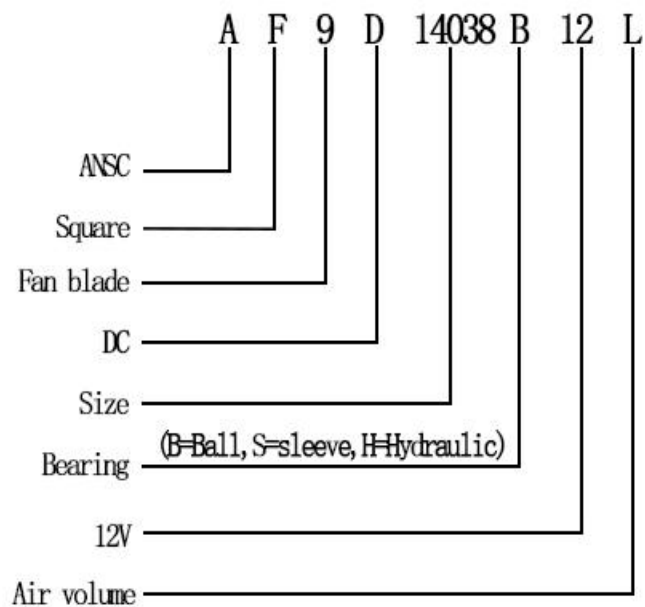
①Bearing Mode:Ball/ Sleeve/Hydraulic/Ball (UL)/Sleeve (UL)Hydraulic (UL)

②X=Function: FG RD RDL LD PWM TP VC RC CS RP SS AS CL IPX5

③A=Plug

④C=Customized by customers: Air volume, Air duct, Movement, Service life, Temperature, Noise, Material, Mold.etc.

导引: 编码规则Code Rule



*PROPRIETARY AND CONFIDENTIAL , THE INFORMATION CONTAINED IN THIS DRAWING IS THE SOLE PROPERTY OF <ALL NEW SEMI>. ANY REPRODUCTION IN PART OR AS A WHOLE WITHOUT THE WRITTEN PERMISSION OF <ALL NEW SEMI> IS PROHIBITED.

<https://allnewsemi.com>
<https://allnewsemi.shop>