



DC Blower fan

AG9733B 97*95*33mm

Motor:DC

Bearing:Ball、sleeve、Hydraulic

Shell frame: PBT UL94V-0

Fan blade: PBT UL94V-0

Insulation:Class B

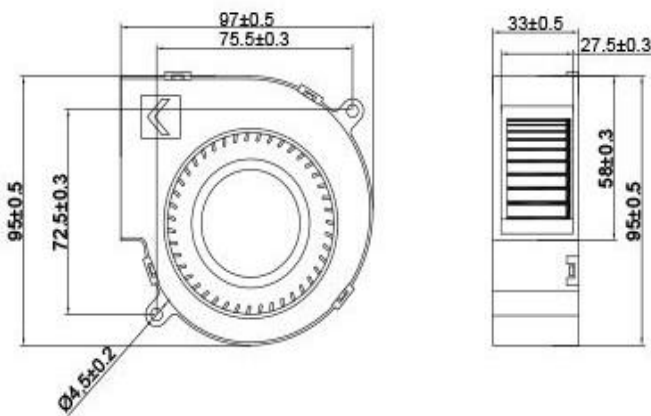
Wire:AWG#26UL1007 (optional)

PIN1:BLACK WIRE---(-)

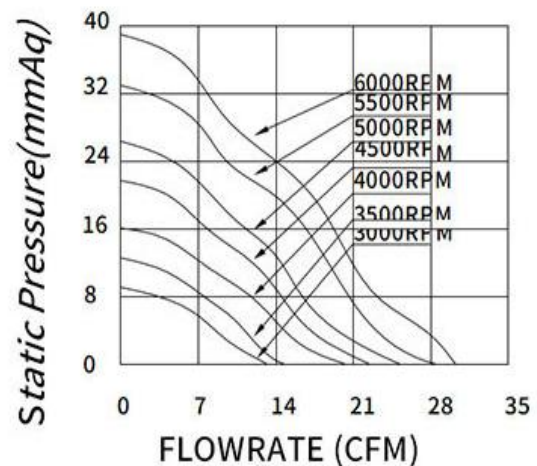
PIN2:RED WIRE---(+)



DIMENSIONS DRAWING(unit:mm)



P@Q CURVE(AT RATED VOLTAGE)



Model	Bearing Mode①	Rated	Operating	Rated	Rated	Speed	Maximum air Flow		Maximum Air pressure		Noise
		Volt	voltage range	current	input power		M3/min	CFM	mmH20	InH20	
PART. NO.		VDC	VDC	Amp	Watt	R. P. M					
AG9733B12L	B=Ball S=Sleeve H=Hydraulic	12	7~13.5	0.36	4.32	3000	0.363	12.8	8.99	0.354	44.8
AG9733B12M		12	7~13.5	0.5	6	3500	0.436	15.4	12.4	0.488	47.2
AG9733B12H		12	7~13.5	0.38	8.16	4000	0.568	20	16.17	0.637	50.9
AG9733B12HH		12	7~13.5	0.83	10	4500	0.637	22.5	21.43	0.844	52.5
AG9733B12VH		12	7~13.5	1	12	5000	0.715	25.2	26.25	1.033	55.3
AG9733B12HV		12	7~13.5	1.2	14.4	5500	0.802	28.3	33.15	1.305	57.1

AG9733B24L	B=Ball S=Sleeve H=Hydraulic	24	18~26.5	0.18	4.32	3000	0.363	12.8	8.99	0.354	44.8
AG9733B24M		24	18~26.5	0.25	6	3500	0.436	15.4	12.4	0.488	47.2
AG9733B24H		24	18~26.5	0.34	8.16	4000	0.568	20	16.17	0.637	50.9
AG9733B24HH		24	18~26.5	0.42	10	4500	0.637	22.5	21.43	0.844	52.5
AG9733B24VH		24	18~26.5	0.5	12	5000	0.715	25.2	26.25	1.033	55.3
AG9733B24HV		24	18~26.5	0.6	14.4	5500	0.802	28.3	33.15	1.305	57.1
AG9733B48L		48	36~54	0.09	4.32	3000	0.363	12.8	8.99	0.354	44.8
AG9733B48M		48	36~54	0.13	6	3500	0.436	15.4	12.4	0.488	47.2
AG9733B48H		48	36~54	0.17	8.16	4000	0.568	20	16.17	0.637	50.9
AG9733B48HH		48	36~54	0.21	10	4500	0.637	22.5	21.43	0.844	52.5
AG9733B48VH		48	36~54	0.25	12	5000	0.715	25.2	26.25	1.033	55.3

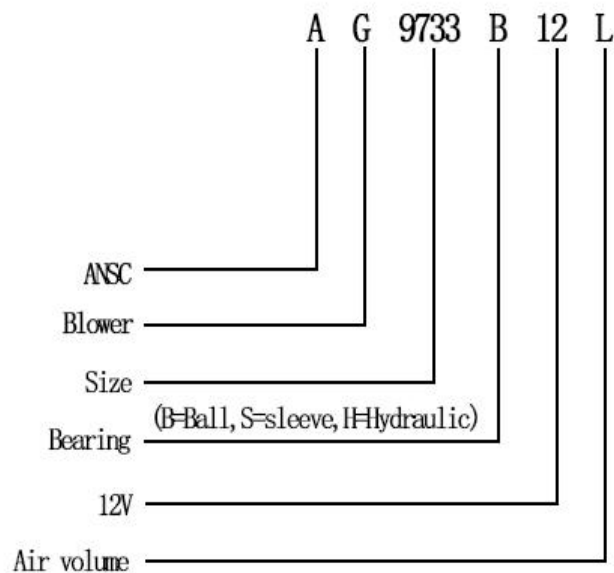
①Bearing Mode:Ball/ Sleeve/Hydraulic/Ball (UL)/Sleeve (UL)Hydraulic (UL)

②X=Function: FG RD RDL LD PWM TP VC RC CS RP SS AS CL IPX5

③A=Plug

④C=Customized by customers: Air volume, Air duct, Movement, Service life, Temperature, Noise, Material, Mold.etc.

导引: 编码规则Code Rule



*PROPRIETARY AND CONFIDENTIAL , THE INFORMATION CONTAINED IN THIS DRAWING IS THE SOLE PROPERTY OF <ALL NEW SEMI>. ANY REPRODUCTION IN PART OR AS A WHOLE WITHOUT THE WRITTEN PERMISSION OF <ALL NEW SEMI> IS PROHIBITED.

<https://allnewsemi.com>
<https://allnewsemi.shop>