



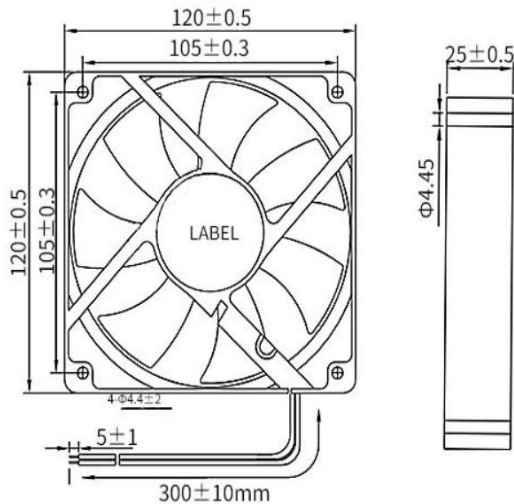
## DC BRUSHLESS FAN

AF7D12025B 120\*120\*25mm

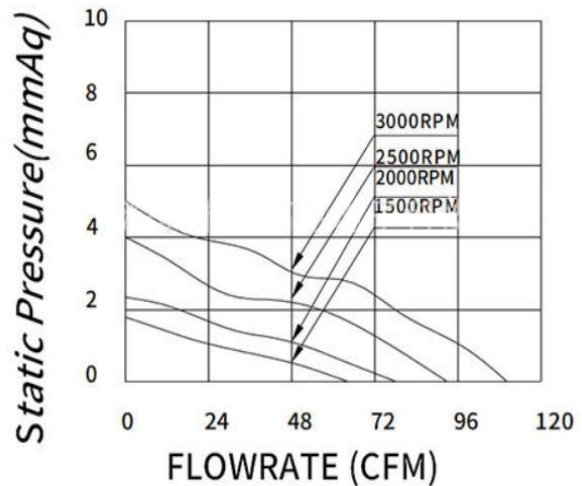
Motor:DC Brushless  
 Bearing:Ball、sleeve、Hydraulic  
 Shell frame: PBT UL94V-0  
 Fan blade: PBT UL94V-0  
 Insulation:Class B  
 Wire:AWG#26UL1007 (optional)  
 PIN1:BLACK WIRE---(-)  
 PIN2:RED WIRE---(+)



**DIMENSIONS DRAWING(unit:mm)**



**P@Q CURVE(AT RATED VOLTAGE)**



Model	Bearing Mode①	Rate d	Operating	Rated	Rated	Speed	Maximum air Flow		Maximum Air pressure		Noise
		Volt	voltage range	current	input power		M3/min	CFM	mmH2O	InH2O	
PART. NO.		VDC	VDC	Amp	Watt	R. P. M					
AF7D12025B12L	B=Ball S=Sleeve H=Hydraulic	12	8~13.5	0.18	2.16	1500	1.820	64.20	1.76	0.069	30.5
AF7D12025B12M		12	8~13.5	0.25	3.00	2000	2.171	76.60	2.43	0.096	36.5
AF7D12025B12H		12	8~13.5	0.31	3.72	2500	2.617	92.40	3.98	0.157	42.1
AF7D12025B12HH		12	8~13.5	0.45	5.40	3000	3.041	107.00	5.04	0.198	47.4
AF7D12025B24L		24	18~26.5	0.09	2.16	1500	1.820	64.20	1.76	0.069	30.5
AF7D12025B24M		24	18~26.5	0.125	3.00	2000	2.171	76.60	2.43	0.096	36.5
AF7D12025B24H		24	18~26.5	0.155	3.72	2500	2.617	92.40	3.98	0.157	42.1

AF7D12025B24HH	B=Ball S=Sleeve H=Hydraulic	24	18~26.5	0.225	5.40	3000	3.041	107.00	5.04	0.198	47.4
AF7D12025B48L		48	36~54	0.045	2.16	1500	1.820	64.20	1.76	0.069	30.5
AF7D12025B48M		48	36~54	0.063	3.00	2000	2.171	76.60	2.43	0.096	36.5
AF7D12025B48H		48	36~54	0.078	3.72	2500	2.617	92.40	3.98	0.157	42.1
AF7D12025B48HH		48	36~54	0.112	5.40	3000	3.041	107.00	5.04	0.198	47.4

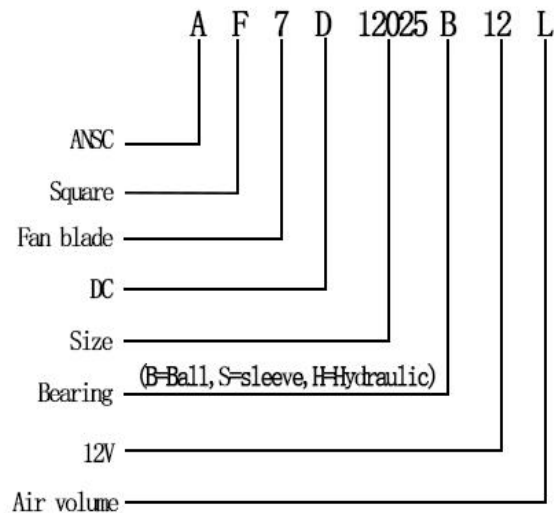
①Bearing Mode:Ball/ Sleeve/Hydraulic/Ball (UL)/Sleeve (UL)Hydraulic (UL)

②X=Function: FG RD RDL LD PWM TP VC RC CS RP SS AS CL IPX5

③A=Plug

④C=Customized by customers: Air volume, Air duct, Movement, Service life, Temperature, Noise, Material, Mold.etc.

导引: 编码规则Code Rule



\*PROPRIETARY AND CONFIDENTIAL , THE INFORMATION CONTAINED IN THIS DRAWING IS THE SOLE PROPERTY OF <ALL NEW SEMI>.  
ANY REPRODUCTION IN PART OR AS A WHOLE WITHOUT THE WRITTEN PERMISSION OF <ALL NEW SEMI> IS PROHIBITED.

<https://allnewsemi.com>  
<https://allnewsemi.shop>