



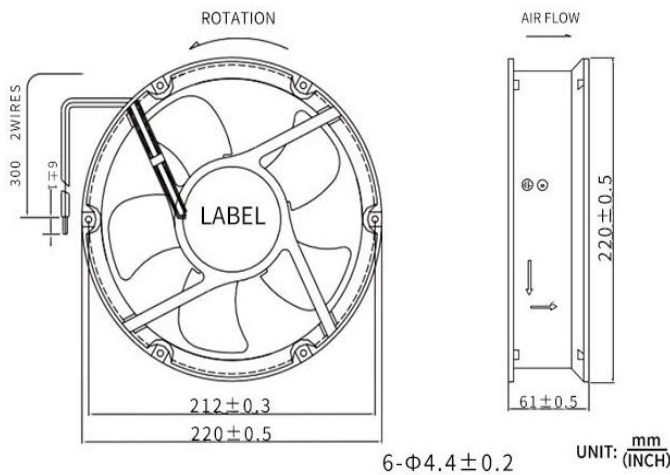
DC BRUSHLESS FAN

AQ5D22060B 220*220*60mm

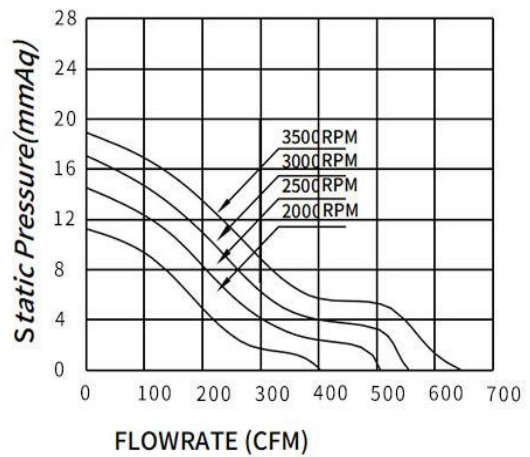
Motor:DC Brushless
 Bearing:Ball、sleeve、Hydraulic
 Shell frame: Aluminum Frame
 Fan blade: Aluminum Frame
 Insulation:Class B
 Wire:AWG#26UL1007 (optional)
 PIN1:BLACK WIRE---(-)
 PIN2:RED WIRE---(+)



DIMENSIONS DRAWING(unit:mm)



P@Q CURVE(AT RATED VOLTAGE)



Model	Bearing Mode①	Rate d Volt	Operating voltage range	Rated current	Rated input power	Speed	Maximum air Flow		Maximum Air pressure		Noise
							M3/min	CFM	mmH2O	InH2O	
PART. NO.		VDC	VDC	Amp	Watt	R. P. M					dB-A
AQ5D22060B12M	B=Ball S=Sleeve H=Hydraulic	12	7~13.5	1.65	19.80	2000	11.380	#####	6.65	0.262	54.6
AQ5D22060B12H		12	7~13.5	2.92	35.04	2500	14.585	#####	12.15	0.478	60.0
AQ5D22060B12HH		12	7~13.5	4.73	56.76	3000	16.673	#####	17.28	0.68	63.6
AQ5D22060B12VH		12	7~13.5	7.4	88.80	3500	18.341	#####	22.02	0.867	68.5
AQ5D22060B24M		24	18~26.5	0.78	18.82	2000	11.380	#####	6.65	0.262	54.6
AQ5D22060B24H		24	18~26.5	1.39	33.36	2500	14.585	#####	12.15	0.478	60.0
AQ5D22060B24HH		24	18~26.5	2.25	54.00	3000	16.673	#####	17.28	0.68	63.6

AQ5D22060B24VH	B=Ball S=Sleeve H=Hydraulic	24	18~26.5	3.52	84.38	3500	18.341	#####	22.02	0.867	68.5
AQ5D22060B48M		48	36~54	0.37	17.86	2000	11.380	#####	6.65	0.262	54.6
AQ5D22060B48H		48	36~54	0.66	31.68	2500	14.585	#####	12.15	0.478	60.0
AQ5D22060B48HH		48	36~54	1.07	51.36	3000	16.673	#####	17.28	0.68	63.6
AQ5D22060B48VH		48	36~54	1.67	80.16	3500	18.341	#####	22.02	0.867	68.5

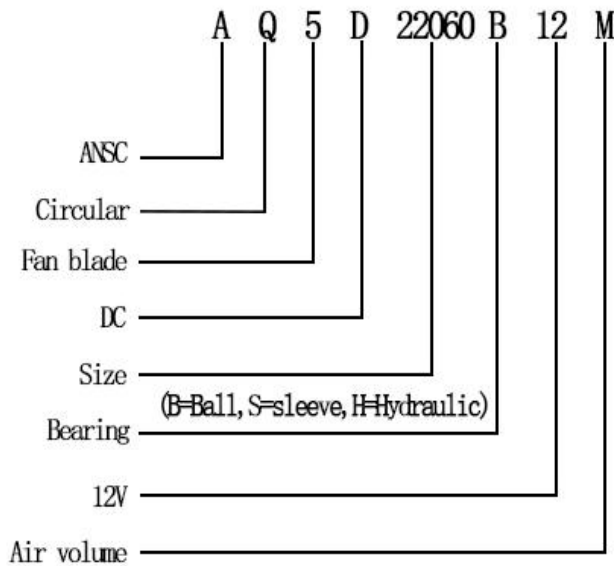
①Bearing Mode:Ball/ Sleeve/Hydraulic/Ball (UL)/Sleeve (UL)Hydraulic (UL)

②X=Function: FG RD RDL LD PWM TP VC RC CS RP SS AS CL IPX5

③A=Plug

④C=Customized by customers: Air volume, Air duct, Movement, Service life, Temperature, Noise, Material, Mold.etc.

导引: 编码规则Code Rule



*PROPRIETARY AND CONFIDENTIAL , THE INFORMATION CONTAINED IN THIS DRAWING IS THE SOLE PROPERTY OF <ALL NEW SEMI>. ANY REPRODUCTION IN PART OR AS A WHOLE WITHOUT THE WRITTEN PERMISSION OF <ALL NEW SEMI> IS PROHIBITED.

<https://allnewsemi.com>
<https://allnewsemi.shop>