



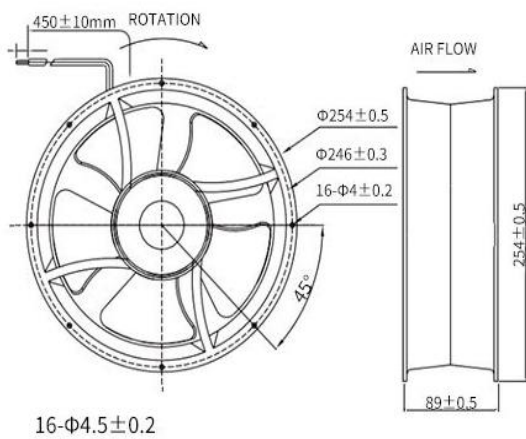
AC BRUSHLESS FAN

AQ5A25489B 254*254*89MM

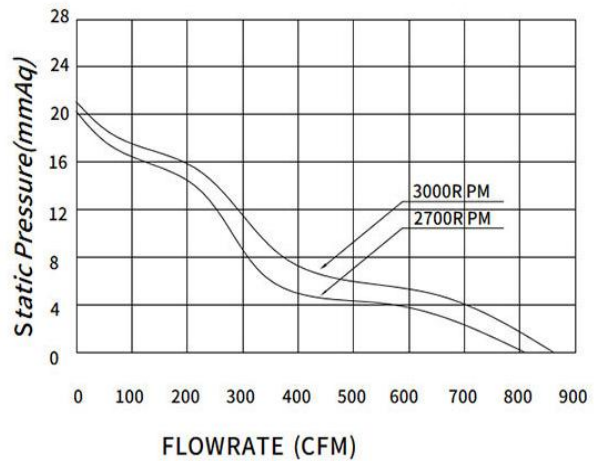
Motor: AC Brushless
 Bearing: Ball
 Shell frame: Aluminum Alloy
 Fan blade: PBT UL94V_0
 Insulation: Class B
 Wire: AWG#26UL1007 (optional)
 PIN1: BLACK WIRE--- (-)
 PIN2: RED WIRE--- (+)



DIMENSIONS DRAWING(unit:mm)



P@Q CURVE(AT RATED VOLTAGE)



Model	Bearing Mode①	Rated Vol	Operat ing voltag	Rated curren t	Rated input power	Speed	Maximum air Flow		Maximum Air pressure		Noise
		VDC	VAC	Amp	Watt		R. P. M	M3/min	CFM	mmH2O	
PART. NO.											
AQ5A25489B110L	B=Ball S=Sleeve H=Hydraulic	110	50HZ	0.5	60	2700	23.229	820	20.193	0.795	78
AQ5A25489B110H		110	60HZ	0.58	75	3000	24.363	860	21.082	0.83	84
AQ5A25489B220L		220	50HZ	0.34	74	2700	23.229	820	20.193	0.795	78
AQ5A25489B220H		220	60HZ	0.43	84	3000	24.363	860	21.082	0.83	84

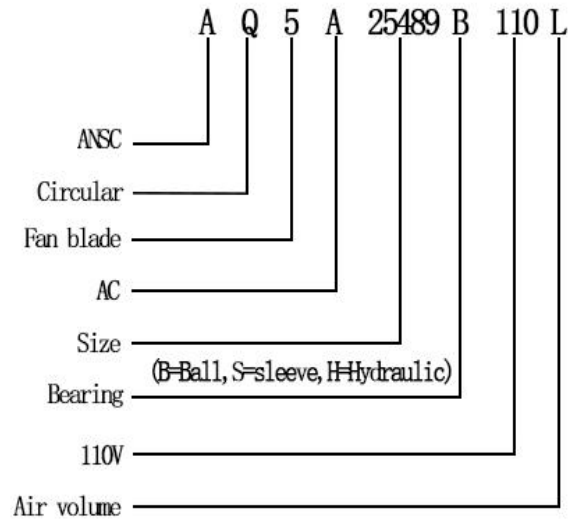
①Bearing Mode: Ball/ Sleeve/Hydraulic/Ball (UL)/Sleeve (UL)Hydraulic (UL)

②X=Function: FG RD RDL LD PWM TP VC RC CS RP SS AS CL IPX5

③A=Plug

④C=Customized by customers: Air volume, Air duct, Movement, Service life, Temperature, Noise, Material, Mold.etc.

导引： 编码规则Code Rule



*PROPRIETARY AND CONFIDENTIAL , THE INFORMATION CONTAINED IN THIS DRAWING IS THE SOLE PROPERTY OF <ALL NEW SEMI>.
ANY REPRODUCTION IN PART OR AS A WHOLE WITHOUT THE WRITTEN PERMISSION OF <ALL NEW SEMI> IS PROHIBITED.

<https://allnewsemi.com>
<https://allnewsemi.shop>