



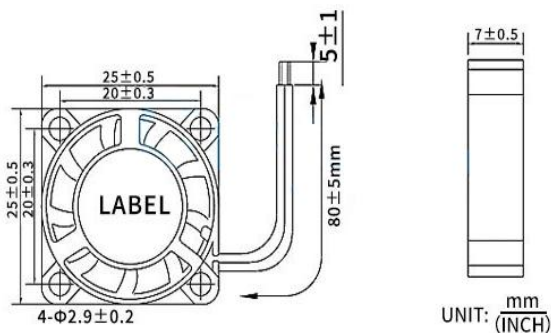
DC BRUSHLESS FAN

AF9D2507H 25*25*7mm

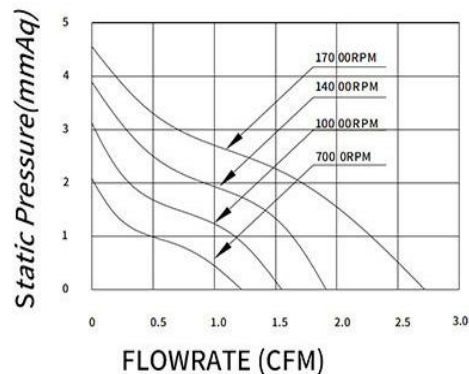
Motor:DC Brushless
 Bearing:Ball、sleeve、Hydraulic
 Shell frame: PBT UL94V-0
 Fan blade: PBT UL94V-0
 Insulation:Class B
 Wire:AWG#26UL1007 (optional)
 PIN1:BLACK WIRE----(-)
 PIN2:RED WIRE----(+)



DIMENSIONS DRAWING(unit:mm)



P@Q CURVE(AT RATED VOLTAGE)



Model	Bearing Mode①	Rated Volt	Operating voltage range	Rated current	Rated input power	Speed	Maximum air Flow		Maximum Air pressure		Noise
		VDC	VDC	Amp	Watt	R. P. M	M3/min	CFM	mmH2O	InH2O	
PART. NO.											
AF9D2507H05L	B=Ball S=Sleeve H=Hydraulic	5	1.8~3.6	0.14	0.72	7000	0.035	1.22	2.16	0.085	19.6
AF9D2507H05M		5	1.8~3.6	0.17	0.84	10000	0.044	1.55	3.10	0.122	23.5
AF9D2507H05H		5	1.8~3.6	0.19	0.96	14000	0.054	1.90	3.80	0.15	26.4
AF9D2507H05HH		5	1.8~3.6	0.22	1.08	17000	0.080	2.81	4.50	0.177	31.2
AF9D2507H12L		12	8.5~13.5	0.06	0.72	7000	0.035	1.22	2.16	0.085	19.6
AF9D2507H12M		12	8.5~13.5	0.07	0.84	10000	0.044	1.55	3.10	0.122	23.5
AF9D2507H12H		12	8.5~13.5	0.08	0.96	14000	0.054	1.90	3.80	0.15	26.4
AF9D2507H12HH		12	8.5~13.5	0.09	1.08	17000	0.080	2.81	4.50	0.177	31.2

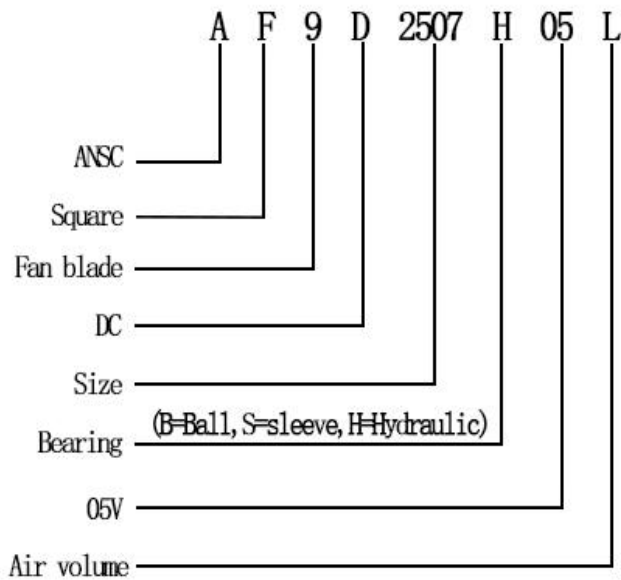
① Bearing Mode: Ball / Sleeve / Hydraulic / Ball (UL) / Sleeve (UL) Hydraulic (UL)

② X=Function: FG RD RDL LD PWM TP VC RC CS RP SS AS CL IPX5

③ A=Plug

④ C=Customized by customers: Air volume, Air duct, Movement, Service life, Temperature, Noise, Material, Mold. etc.

导引：编码规则 Code Rule



*PROPRIETARY AND CONFIDENTIAL , THE INFORMATION CONTAINED IN THIS DRAWING IS THE SOLE PROPERTY OF <ALL NEW SEMI>. ANY REPRODUCTION IN PART OR AS A WHOLE WITHOUT THE WRITTEN PERMISSION OF <ALL NEW SEMI> IS PROHIBITED.

<https://allnewsemi.com>
<https://allnewsemi.shop>