



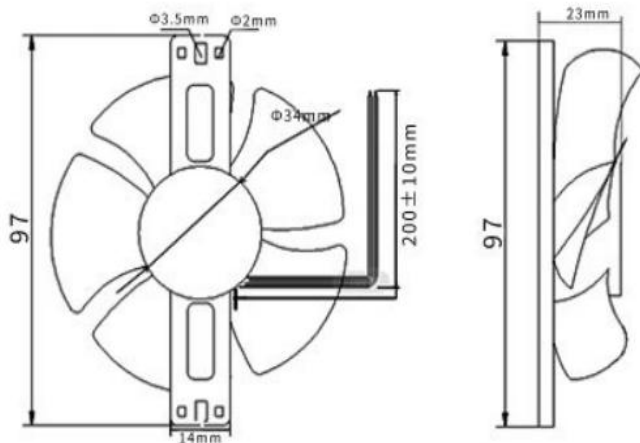
DC Brushless FAN

A5Z9225B 92*92*25MM

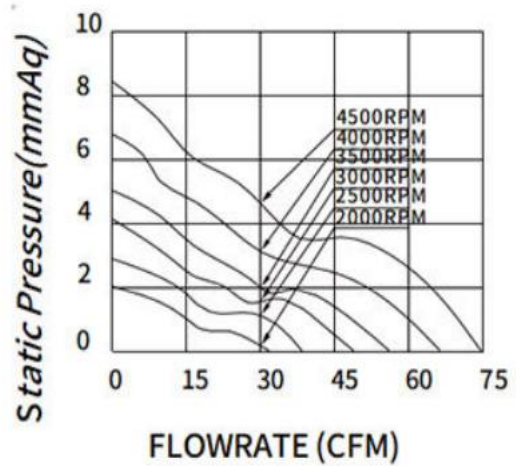
Motor:DC Brushless
 Bearing:Ball、sleeve、Hydraulic
 Shell frame: PBT UL94V_0
 Fan blade: PBT UL94V_0
 Insulation:Class B
 Wire:AWG#26UL1007 (optional)
 PIN1:BLACK WIRE---(-)
 PIN2:RED WIRE---(+)



DIMENSIONS DRAWING(unit:mm)



P@Q CURVE(AT RATED VOLTAGE)



Model	Bearing Mode①	Rated Vol	Freque ncy	Rated current	Rated input power	Speed	Maximum air Flow		Maximum Air pressure		Noise
		VDC	VDC	Amp	Watt		R. P. M	M3/min	CFM	mmH2O	
PART. NO.		VDC	VDC	Amp	Watt	R. P. M	M3/min	CFM	mmH2O	InH2O	dB-A
A5Z9225B12L	B=Ball S=Sleeve H=Hydraulic	12	7~13.5	0.12	1.44	2000	0.905	31.9	2.01	0.079	27.5
A5Z9225B12M		12	7~13.5	0.16	1.92	2500	1.086	38.3	2.92	0.115	33.7
A5Z9225B12H		12	7~13.5	0.2	2.4	3000	1.389	49	4.11	0.162	39.1
A5Z9225B12HH		12	7~13.5	0.24	2.88	3500	1.554	54.8	4.99	0.196	42.4
A5Z9225B12HV		12	7~13.5	0.32	3.84	4000	1.875	66.2	6.78	0.267	46.4
A5Z9225B12VH		12	7~13.5	0.44	5.28	4500	2.094	73.9	8.32	0.328	50.1

A5Z9225B24L	B=Ball S=Sleeve H=Hydraulic	24	18~26.5	0.06	1.44	2000	0.905	31.9	2.01	0.079	27.5
A5Z9225B24M		24	18~26.5	0.08	1.92	2500	1.086	38.3	2.92	0.115	33.7
A5Z9225B24H		24	18~26.5	0.1	2.4	3000	1.389	49	4.11	0.162	39.1
A5Z9225B24HH		24	18~26.5	0.12	2.88	3500	1.554	54.8	4.99	0.196	42.4
A5Z9225B24HV		24	18~26.5	0.16	3.84	4000	1.875	66.2	6.78	0.267	46.4
A5Z9225B24VH		24	18~26.5	0.22	5.28	4500	2.094	73.9	8.32	0.328	50.1
A5Z9225B48L		48	36~54	0.03	1.44	2000	0.905	31.9	2.01	0.079	27.5
A5Z9225B48M		48	36~54	0.04	1.92	2500	1.086	38.3	2.92	0.115	33.7
A5Z9225B48H		48	36~54	0.05	2.4	3000	1.389	49	4.11	0.162	39.1
A5Z9225B48HH		48	36~54	0.06	2.88	3500	1.554	54.8	4.99	0.196	42.4
A5Z9225B48HV		48	36~54	0.08	3.84	4000	1.875	66.2	6.78	0.267	46.4
A5Z9225B48VH		48	36~54	0.11	5.28	4500	2.094	73.9	8.32	0.328	50.1

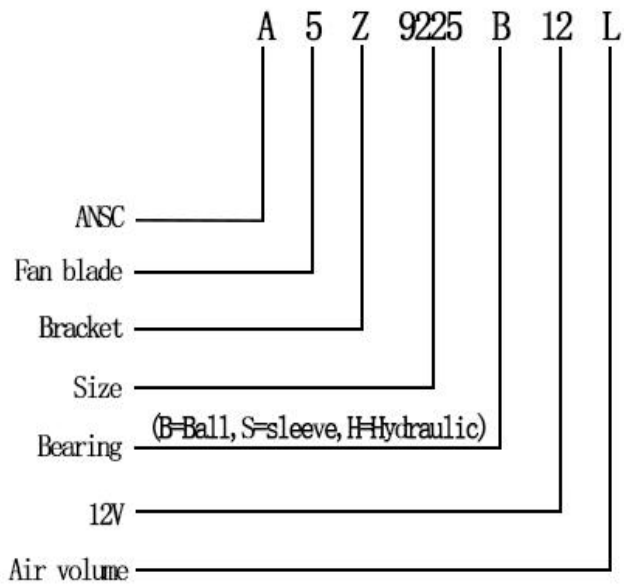
①Bearing Mode:Ball/ Sleeve/Hydraulic/Ball (UL)/Sleeve (UL)Hydraulic (UL)

②X=Function: FG RD RDL LD PWM TP VC RC CS RP SS AS CL IPX5

③A=Plug

④C=Customized by customers: Air volume, Air duct, Movement, Service life, Temperature, Noise, Material, Mold.etc.

导引：编码规则Code Rule



*PROPRIETARY AND CONFIDENTIAL , THE INFORMATION CONTAINED IN THIS DRAWING IS THE SOLE PROPERTY OF <ALL NEW SEMI>.
ANY REPRODUCTION IN PART OR AS A WHOLE WITHOUT THE WRITTEN PERMISSION OF <ALL NEW SEMI> IS PROHIBITED.

<https://allnewsemi.com>
<https://allnewsemi.shop>