



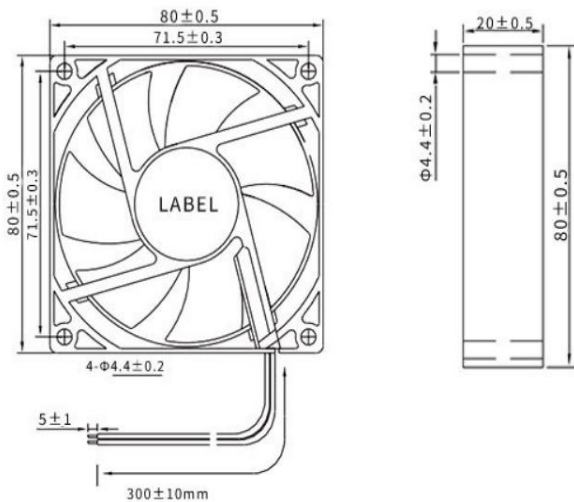
## DC BRUSHLESS FAN

AF7D8020B 80\*80\*20mm

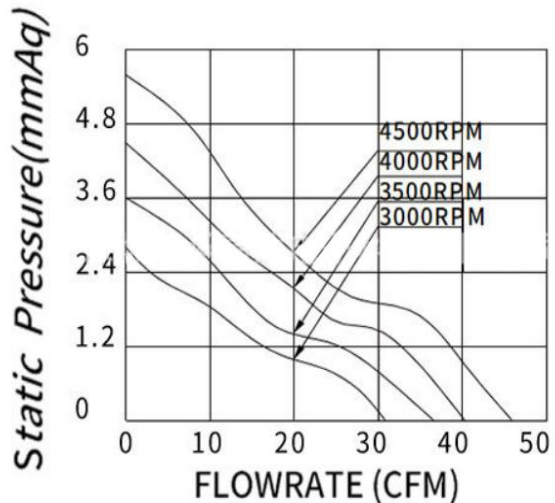
Motor:DC Brushless  
 Bearing:Ball、sleeve、Hydraulic  
 Shell frame: PBT UL94V-0  
 Fan blade: PBT UL94V-0  
 Insulation:Class B  
 Wire:AWG#26UL1007 (optional)  
 PIN1:BLACK WIRE---(-)  
 PIN2:RED WIRE---(+)



DIMENSIONS DRAWING(unit:mm)



P@Q CURVE(AT RATED VOLTAGE)



Model	Bearing Mode①	Rate	Operating	Rated	Rated	Speed	Maximum air Flow		Maximum Air pressure		Noise
		d Volt	voltage range	current	input power		M3/min	CFM	mmH2O	InH2O	
PART. NO.		VDC	VDC	Amp	Walt	R. P. M					dB-A
AF7D8020B12L	B=Ball S=Sleeve H=Hydraulic	12	7~13.5	0.16	1.92	3000	0.028	30.90	2.82	0.048	35.7
AF7D8020B12M		12	7~13.5	0.22	2.64	3500	0.064	35.70	3.60	0.098	38.5
AF7D8020B12H		12	7~13.5	0.26	3.12	4000	0.084	40.10	4.41	0.167	41.6
AF7D8020B12HH		12	7~13.5	0.34	4.08	4500	0.102	45.10	5.51	0.247	45.3
AF7D8020B24L		24	18~26.5	0.08	1.92	3000	0.028	30.90	2.82	0.048	35.7
AF7D8020B24M		24	18~26.5	0.11	2.64	3500	0.064	35.70	3.60	0.098	38.5
AF7D8020B24H		24	18~26.5	0.13	3.12	4000	0.084	40.10	4.41	0.167	41.6

AF7D8020B24HH	B=Ball S=Sleeve H=Hydraulic	24	18~26.5	0.17	4.08	4500	0.102	45.10	5.51	0.247	45.3
AF7D8020B48L		48	36~54	0.04	1.92	3000	0.028	30.90	2.82	0.048	35.7
AF7D8020B48M		48	36~54	0.055	2.64	3500	0.064	35.70	3.60	0.098	38.5
AF7D8020B48H		48	36~54	0.065	3.12	4000	0.084	40.10	4.41	0.167	41.6
AF7D8020B48HH		48	36~54	0.08	4.08	4500	0.102	45.10	5.51	0.247	45.3

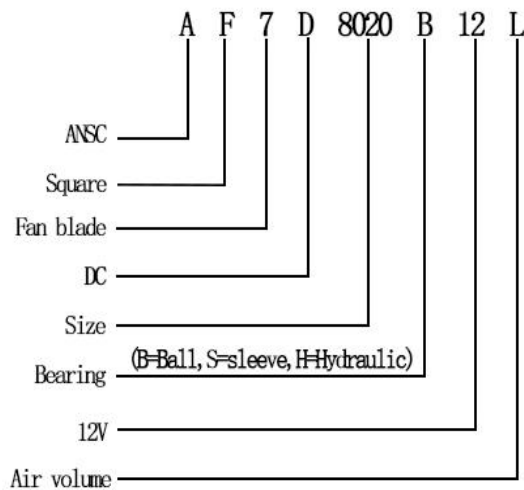
①Bearing Mode:Ball/ Sleeve/Hydraulic/Ball (UL)/Sleeve (UL)Hydraulic (UL)

②X=Function: FG RD RDL LD PWM TP VC RC CS RP SS AS CL IPX5

③A=Plug

④C=Customized by customers: Air volume, Air duct, Movement, Service life, Temperature, Noise, Material, Mold.etc.

导引: 编码规则Code Rule



\*PROPRIETARY AND CONFIDENTIAL , THE INFORMATION CONTAINED IN THIS DRAWING IS THE SOLE PROPERTY OF <ALL NEW SEMI>.

ANY REPRODUCTION IN PART OR AS A WHOLE WITHOUT THE WRITTEN PERMISSION OF <ALL NEW SEMI> IS PROHIBITED.

<https://allnewsemi.com>  
<https://allnewsemi.shop>