



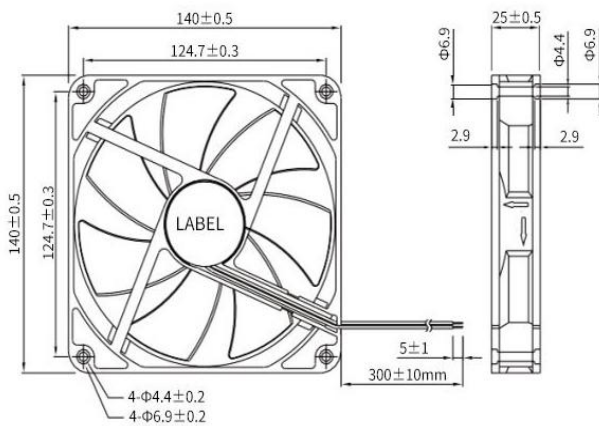
DC BRUSHLESS FAN

AF7D14025B 140*140*25mm

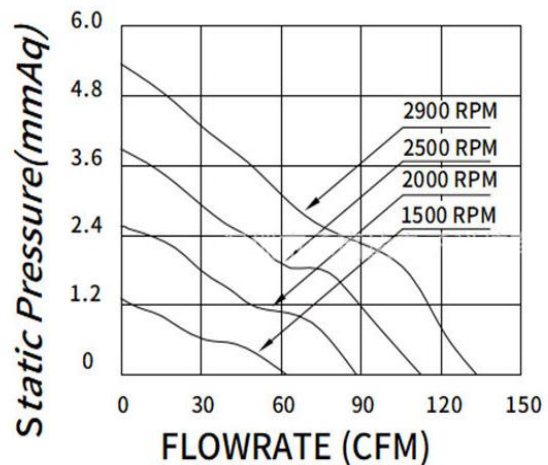
Motor:DC Brushless
 Bearing:Ball、sleeve、Hydraulic
 Shell frame: PBT UL94V-0
 Fan blade: PBT UL94V-0
 Insulation:Class B
 Wire:AWG#26UL1007 (optional)
 PIN1:BLACK WIRE---(-)
 PIN2:RED WIRE---(+)



DIMENSIONS DRAWING(unit:mm)



P@Q CURVE(AT RATED VOLTAGE)



| Model | Bearing Mode① | Rated Volt | Operating voltage range | Rated current | Rated input power | Speed | Maximum air Flow | | Maximum Air pressure | | Noise |
|----------------|-----------------------------------|------------|-------------------------|---------------|-------------------|---------|------------------|--------|----------------------|-------|-------|
| | | VDC | VDC | Amp | Watt | R. P. M | M3/min | CFM | mmH20 | InH20 | |
| PART. NO. | | | | | | | | | | | |
| AF7D14025B12L | B=Ball S=Sleeve H=Hydraulic | 12 | 7.5~13.5 | 0.1 | 1.20 | 1500 | 1.757 | 62.07 | 1.30 | 0.051 | 28.0 |
| AF7D14025B12M | | 12 | 7.5~13.5 | 0.23 | 2.76 | 2000 | 2.499 | 88.28 | 2.54 | 0.1 | 36.0 |
| AF7D14025B12H | | 12 | 7.5~13.5 | 0.47 | 5.64 | 2500 | 3.193 | 112.80 | 3.87 | 0.152 | 43.1 |
| AF7D14025B12HH | | 12 | 7.5~13.5 | 1 | 12.00 | 2900 | 3.777 | 133.43 | 5.35 | 0.211 | 47.1 |
| AF7D14025B24L | | 24 | 18~26.5 | 0.05 | 1.20 | 1500 | 1.757 | 62.07 | 1.30 | 0.051 | 28.0 |
| AF7D14025B24M | | 24 | 18~26.5 | 0.12 | 2.88 | 2000 | 2.499 | 88.28 | 2.54 | 0.1 | 36.0 |
| AF7D14025B24H | | 24 | 18~26.5 | 0.24 | 5.76 | 2500 | 3.193 | 112.80 | 3.87 | 0.152 | 43.1 |

| | | | | | | | | | | | |
|----------------|-----------------------------------|----|---------|------|-------|------|-------|--------|------|-------|------|
| AF7D14025B24HH | B=Ball S=Sleeve H=Hydraulic | 24 | 18~26.5 | 0.5 | 12.00 | 2900 | 3.777 | 133.43 | 5.35 | 0.211 | 47.1 |
| AF7D14025B48L | | 48 | 36~54 | 0.03 | 1.44 | 1500 | 1.757 | 62.07 | 1.30 | 0.051 | 28.0 |
| AF7D14025B48M | | 48 | 36~54 | 0.06 | 2.88 | 2000 | 2.499 | 88.28 | 2.54 | 0.1 | 36.0 |
| AF7D14025B48H | | 48 | 36~54 | 0.12 | 5.76 | 2500 | 3.193 | 112.80 | 3.87 | 0.152 | 43.1 |
| AF7D14025B48HH | | 48 | 36~54 | 0.25 | 12.00 | 2900 | 3.777 | 133.43 | 5.35 | 0.211 | 47.1 |

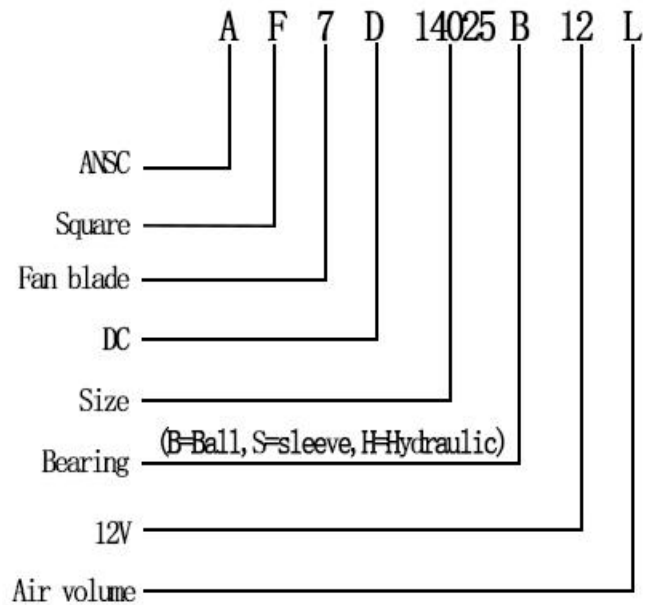
①Bearing Mode:Ball/ Sleeve/Hydraulic/Ball (UL)/Sleeve (UL)Hydraulic (UL)

②X=Function: FG RD RDL LD PWM TP VC RC CS RP SS AS CL IPX5

③A=Plug

④C=Customized by customers: Air volume, Air duct, Movement, Service life, Temperature, Noise, Material, Mold.etc.

导引: 编码规则Code Rule



*PROPRIETARY AND CONFIDENTIAL , THE INFORMATION CONTAINED IN THIS DRAWING IS THE SOLE PROPERTY OF <ALL NEW SEMI>.
ANY REPRODUCTION IN PART OR AS A WHOLE WITHOUT THE WRITTEN PERMISSION OF <ALL NEW SEMI> IS PROHIBITED.

<https://allnewsemi.com>
<https://allnewsemi.shop>