



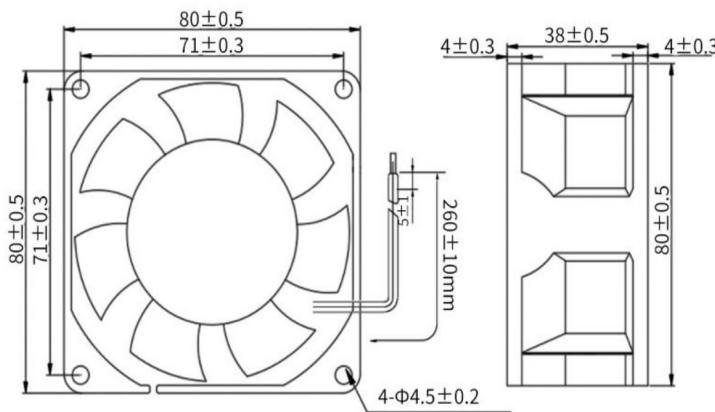
## AC BRUSHLESS FAN

**AF7A8038B 80\*80\*38mm**

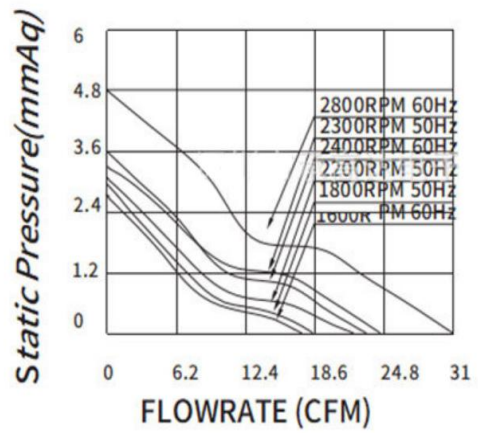
Motor: AC Brushless  
 Bearing: Ball  
 Shell frame: Aluminium Alloy  
 Fan blade: PBT UL94V-0  
 Insulation: Class B  
 Wire: AWG#26UL1007 (optional)  
 PIN1: BLACK WIRE---(-)  
 PIN2: RED WIRE---(+)



**DIMENSIONS DRAWING(unit:mm)**



**P@Q CURVE(AT RATEDVOLTAGE)**



Model	Bearing Mode①	Rated Vol	Operating voltage	Rated current	Rated input power	Speed	Maximum air Flow		Maximum Air pressure		Noise
PART. NO.		VDC	VDC	Amp	Watt	R. P. M	M3/min	CFM	mmH20	InH20	dB-A
AF7A8038B110H	B=Ball S=Sleeve H=Hydraulic	110	100~125	0.15/0.1	16/10	2300/2800	0.67/0.8	24/31	3.3/4.83	0.12/0.1	31/35
AF7A8038B110M		110	100~125	0.13/0.1	14/12	2200/2400	0.62/0.6	22/23	3.1/3.6	0.12/0.1	27/31
AF7A8038B110L		110	100~125	0.1/0.0	10/9	1800/1600	0.50/0.4	18/17	2.9/2.7	0.11/0.1	19/17
AF7A8038B220H		220	220~240	0.11/0.1	16/10	2300/2800	0.67/0.8	24/31	3.3/4.83	0.12/0.1	31/35
AF7A8038B220M		220	220~240	0.09/0.0	14/12	2200/2400	0.62/0.6	22/23	3.1/3.6	0.12/0.1	27/31
AF7A8038B220L		220	220~240	0.08/0.0	10/9	1800/1600	0.50/0.4	18/17	2.9/2.7	0.11/0.1	19/17

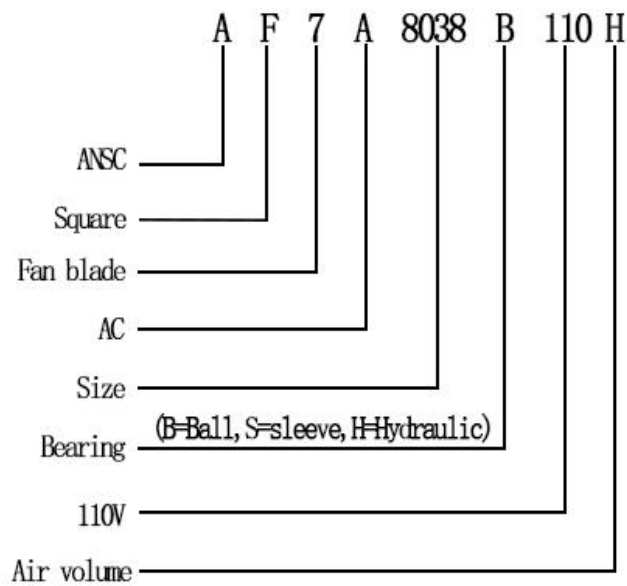
①Bearing Mode:Ball/ Sleeve/Hydraulic/Ball (UL)/Sleeve(UL)Hydraulic(UL)

②X=Function: FG RD RDL LD PWM TP VC RC CS RP SS AS CL IPX5

③A=Plug

④C=Customized by customers: Air volume, Air duct, Movement, Service life, Temperature, Noise, Material, Mold.etc.

导引： 编码规则Code Rule



\*PROPRIETARY AND CONFIDENTIAL , THE INFORMATION CONTAINED IN THIS DRAWING IS THE SOLE PROPERTY OF <ALL NEW SEMI>.

ANY REPRODUCTION IN PART OR AS A WHOLE WITHOUT THE WRITTEN PERMISSION OF <ALL NEW SEMI> IS PROHIBITED.

<https://allnewsemi.com>  
<https://allnewsemi.shop>