



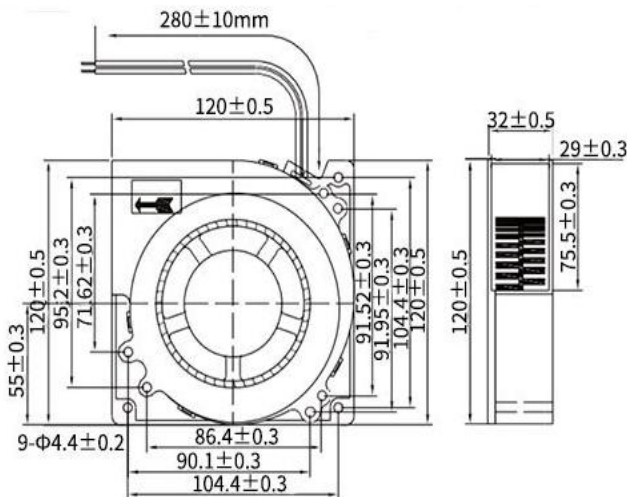
## EC Brushless FAN

AGE12032B 120\*120\*32MM

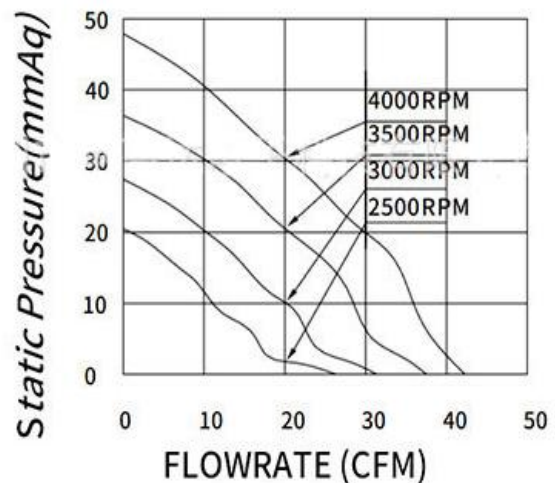
Motor: EC Brushless  
 Bearing: Ball, sleeve, Hydraulic  
 Shell frame: PBT UL94V\_0  
 Fan blade: PBT UL94V\_0  
 Insulation: Class B  
 Wire: AWG#26UL1007 (optional)  
 PIN1: BLACK WIRE---(-)  
 PIN2: RED WIRE---(+)



DIMENSIONS DRAWING(unit:mm)



P@Q CURVE(AT RATED VOLTAGE)



Model	Bearing Mode①	Rated Vol	Freque ncy	Rated current	Rated input power	Speed	Maximum air Flow		Maximum Air pressure		Noise
		VDC	VDC	Amp	Watt		R. P. M	M3/min	CFM	mmH2O	
PART. NO.		VDC	VDC	Amp	Watt	R. P. M	M3/min	CFM	mmH2O	lnH2O	dB-A
AGE12032B220L	B=Ball S=Sleeve H=Hydraulic	220	80~230	0.04	8.8	2500	0.751	26.5	20.25	0.797	48.2
AGE12032B220M		220	80~230	0.06	13.2	3000	0.905	31.9	27.47	1.081	51.9

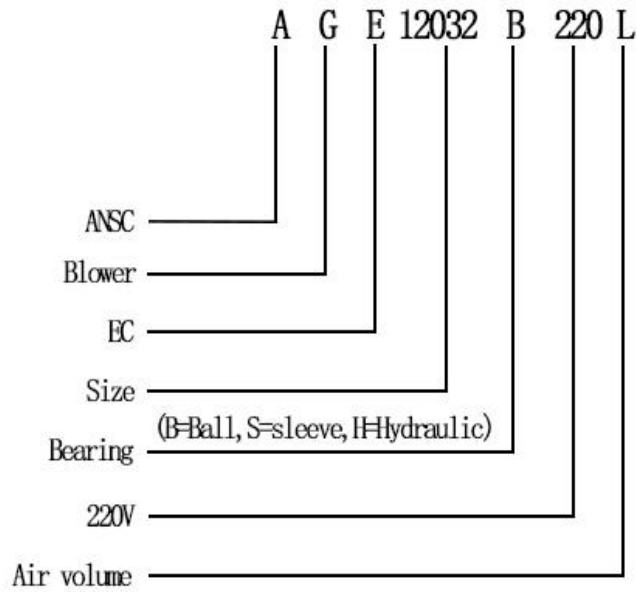
①Bearing Mode:Ball/ Sleeve/Hydraulic/Ball (UL)/Sleeve (UL)Hydraulic (UL)

②X=Function: FG RD RDL LD PWM TP VC RC CS RP SS AS CL IPX5

③A=Plug

④C=Customized by customers: Air volume, Air duct, Movement, Service life, Temperature, Noise, Material, Mold.etc.

导引：编码规则Code Rule



\*PROPRIETARY AND CONFIDENTIAL , THE INFORMATION CONTAINED IN THIS DRAWING IS THE SOLE PROPERTY OF <ALL NEW SEMI>.  
ANY REPRODUCTION IN PART OR AS A WHOLE WITHOUT THE WRITTEN PERMISSION OF <ALL NEW SEMI> IS PROHIBITED.

<https://allnewsemi.com>  
<https://allnewsemi.shop>