



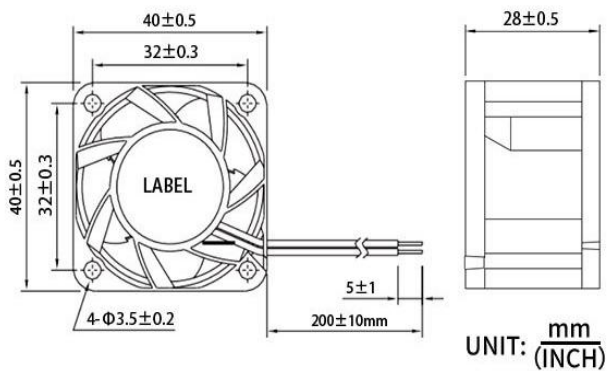
## DC BRUSHLESS FAN

AF5D4028B 40\*40\*28mm

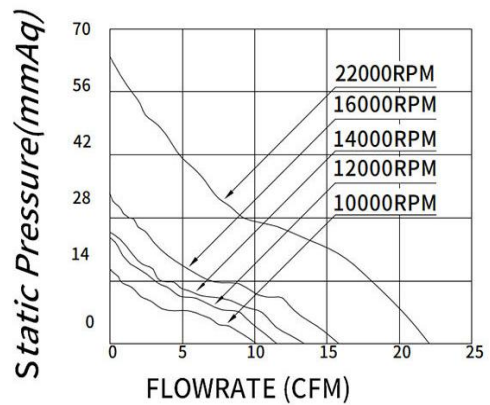
Motor:DC Brushless  
 Bearing:Ball、sleeve、Hydraulic  
 Shell frame: PBT UL94V-0  
 Fan blade: PBT UL94V-0  
 Insulation:Class B  
 Wire:AWG#26UL1007 (optional)  
 PIN1:BLACK WIRE----(-)  
 PIN2:RED WIRE----(+)



DIMENSIONS DRAWING(unit:mm)



P@Q CURVE(AT RATED VOLTAGE)



Model	Bearing Mode①	Rated Volt	Operating voltage range	Rated current	Rated input power	Speed	Maximum air Flow		Maximum Air pressure		Noise
		VDC	VDC	Amp	Watt		R. P. M	M3/min	CFM	mmH2O	
PART. NO.		VDC	VDC	Amp	Watt	R. P. M	M3/min	CFM	mmH2O	InH2O	dB-A
AF5D4028B12HH	B=Ball S=Sleeve H=Hydraulic	12	7~13.5	0.15	1.80	10000	0.290	10.26	16.00	0.63	32.2
AF5D4028B12HV		12	7~13.5	0.23	2.76	12000	0.330	11.76	22.70	0.89	38.6
AF5D4028B12UH		12	7~13.5	0.3	3.60	14000	0.380	13.43	24.20	0.95	45.0
AF5D4028B12VH		12	7~13.5	0.37	4.44	16000	0.450	15.84	32.00	1.26	51.5
AF5D4028B12LVH		12	7~13.5	0.6	7.20	22000	0.630	22.10	61.80	2.43	61.0
AF5D4028B24HH		24	18~26.5	0.08	1.92	10000	0.290	10.26	16.00	0.63	32.2
AF5D4028B24HV		24	18~26.5	0.12	2.88	12000	0.330	11.76	22.70	0.89	38.6

AF5D4028B24UH	B=Ball S=Sleeve H=Hydraulic	24	18~26.5	0.15	3.60	14000	0.380	13.43	24.20	0.95	45.0
AF5D4028B24VH		24	18~26.5	0.19	4.56	16000	0.450	15.84	32.00	1.26	51.5
AF5D4028B24LVH		24	18~26.5	0.3	7.20	22000	0.630	22.10	61.80	2.43	61.0

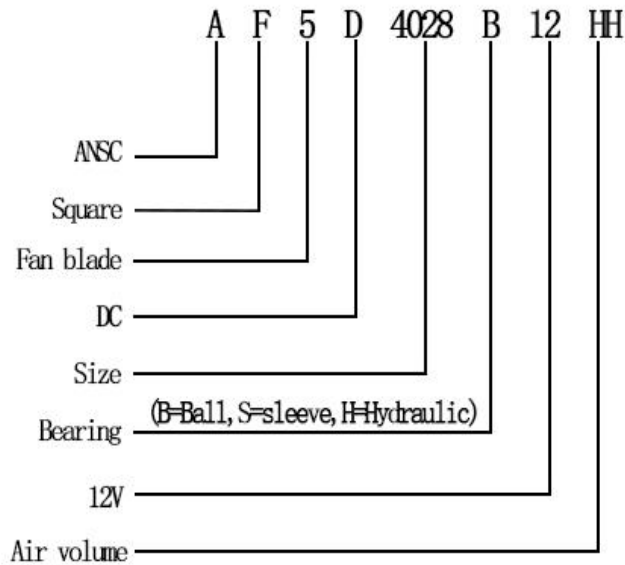
①Bearing Mode:Ball/ Sleeve/Hydraulic/Ball (UL)/Sleeve (UL)Hydraulic (UL)

②X=Function: FG RD RDL LD PWM TP VC RC CS RP SS AS CL IPX5

③A=Plug

④C=Customized by customers: Air volume, Air duct, Movement, Service life, Temperature, Noise, Material, Mold.etc.

导引: 编码规则Code Rule



\*PROPRIETARY AND CONFIDENTIAL , THE INFORMATION CONTAINED IN THIS DRAWING IS THE SOLE PROPERTY OF <ALL NEW SEMI>. ANY REPRODUCTION IN PART OR AS A WHOLE WITHOUT THE WRITTEN PERMISSION OF <ALL NEW SEMI> IS PROHIBITED.

<https://allnewsemi.com>  
<https://allnewsemi.shop>