



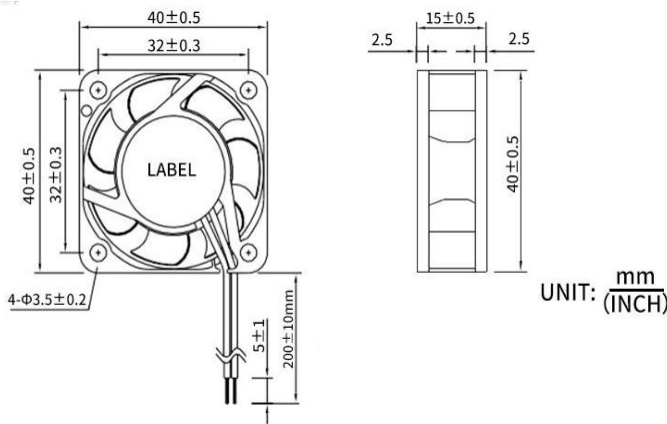
DC BRUSHLESS FAN

AF7D4015B 40*40*15mm

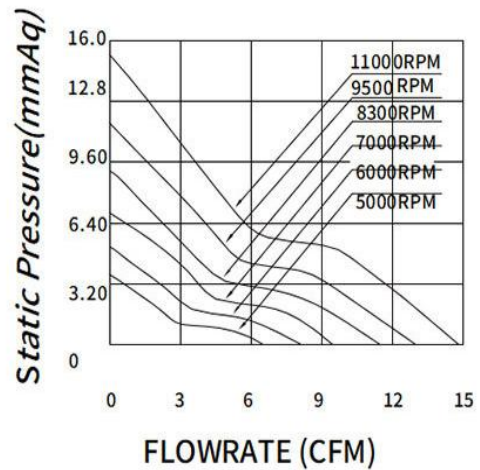
Motor:DC Brushless
 Bearing:Ball、sleeve、Hydraulic
 Shell frame: PBT UL94V-0
 Fan blade: PBT UL94V-0
 Insulation:Class B
 Wire:AWG#26UL1007 (optional)
 PIN1:BLACK WIRE----(-)
 PIN2:RED WIRE----(+)



DIMENSIONS DRAWING(unit:mm)



P@Q CURVE(AT RATED VOLTAGE)



Model	Bearing Mode①	Rate d	Operating	Rated	Rated	Speed	Maximum		Maximum		Noise
		Volt	voltage range	current	input power		air Flow	Air pressure	mmH20	InH20	
PART. NO.		VDC	VDC	Amp	Walt	R. P. M	M3/min	CFM	mmH20	InH20	dB-A
AF7D4015B05L	B=Ball S=Sleeve H=Hydraulic	5	1.8~3.6	0.15	0.75	5000	0.184	6.50	3.67	0.144	18.5
AF7D4015B05LM		5	1.8~3.6	0.22	1.10	6000	0.230	8.12	5.12	0.202	24.5
AF7D4015B05M		5	1.8~3.6	0.24	1.20	7000	0.268	9.46	6.92	0.272	28.5
AF7D4015B05H		5	1.8~3.6	0.32	1.60	8300	0.325	11.48	9.13	0.359	32.0
AF7D4015B05HH		5	1.8~3.6	0.38	1.90	9500	0.368	13.00	11.66	0.459	36.5
AF7D4015B12L		12	7.5~13.5	0.06	0.72	5000	0.184	6.50	3.67	0.144	18.5
AF7D4015B12LM		12	7.5~13.5	0.09	1.08	6000	0.230	8.12	5.12	0.202	24.5

AF7D4015B12M	B=Ball S=Sleeve H=Hydraulic	12	7.5~13.5	0.1	1.20	7000	0.268	9.46	6.92	0.272	28.5
AF7D4015B12H		12	7.5~13.5	0.13	1.56	8300	0.325	11.48	9.13	0.359	32.0
AF7D4015B12HH		12	7.5~13.5	0.16	1.92	9500	0.368	13.00	11.66	0.459	36.5
AF7D4015B12VH		12	7.5~13.5	0.25	3.00	11000	0.420	14.83	15.26	0.601	41.5
AF7D4015B24L		24	18~26.5	0.05	1.20	5000	0.184	6.50	3.67	0.144	18.5
AF7D4015B24LM		24	18~26.5	0.06	1.44	6000	0.230	8.12	5.12	0.202	24.5
AF7D4015B24M		24	18~26.5	0.08	1.92	7000	0.268	9.46	6.92	0.272	28.5
AF7D4015B24H		24	18~26.5	0.09	2.16	8300	0.325	11.48	9.13	0.359	32.0
AF7D4015B24HH		24	18~26.5	0.1	2.40	9500	0.368	13.00	11.66	0.459	36.5
AF7D4015B24VH		24	18~26.5	0.12	2.88	11000	0.420	14.83	15.26	0.601	41.5

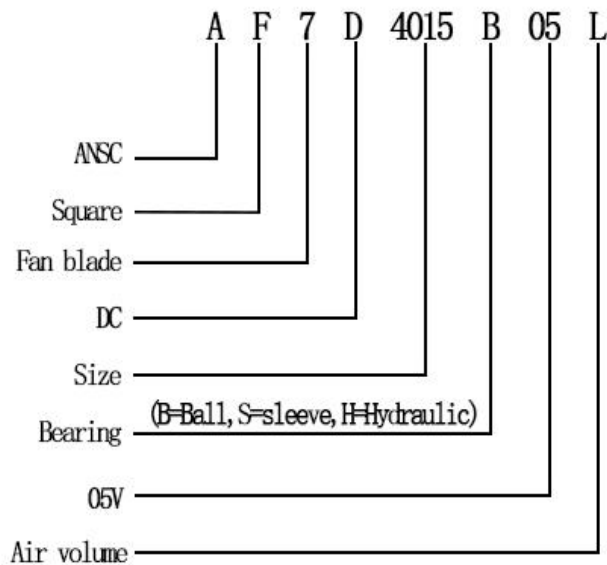
①Bearing Mode:Ball/ Sleeve/Hydraulic/Ball (UL)/Sleeve (UL)Hydraulic (UL)

②X=Function: FG RD RDL LD PWM TP VC RC CS RP SS AS CL IPX5

③A=Plug

④C=Customized by customers: Air volume, Air duct, Movement,Service life, Temperature, Noise, Material, Mold.etc.

导引： 编码规则Code Rule



*PROPRIETARY AND CONFIDENTIAL , THE INFORMATION CONTAINED IN THIS DRAWING IS THE SOLE PROPERTY OF AII NEW SEMI \

SOLE PROPERTY OF <ALL NEW SEMI>.
ANY REPRODUCTION IN PART OR AS A WHOLE WITHOUT THE WRITTEN PERMISSION OF
<ALL NEW SEMI> IS PROHIBITED.

<https://allnewsemi.com>
<https://allnewsemi.shop>