



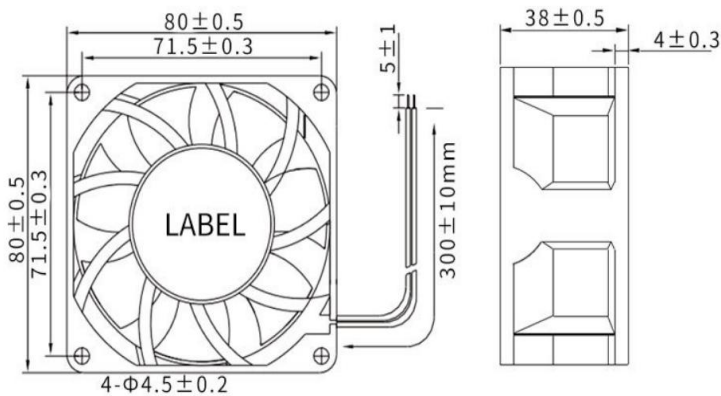
## DC BRUSHLESS FAN

**AF7D8038B 80\*80\*38mm**

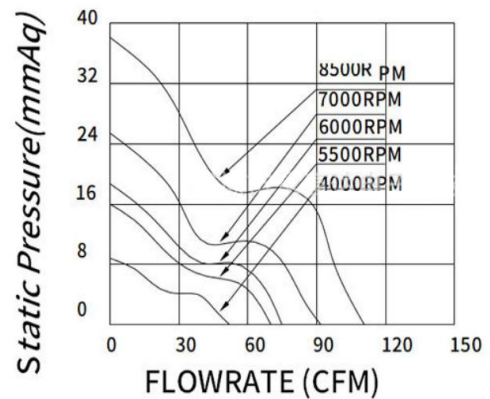
Motor:DC Brushless  
 Bearing:Ball、sleeve、Hydraulic  
 Shell frame: PBT UL94V-0  
 Fan blade: PBT UL94V-0  
 Insulation:Class B  
 Wire:AWG#26UL1007 (optional)  
 PIN1:BLACK WIRE---(-)  
 PIN2:RED WIRE---(+)



**DIMENSIONS DRAWING(unit:mm)**



**P@Q CURVE(AT RATED VOLTAGE)**



Model	Bearing Mode①	Rate d	Operating	Rated	Rated	Speed	Maximum air Flow		Maximum Air pressure		Noise
		Volt	voltage range	current	input power		M3/min	CFM	mmH2O	InH2O	
PART. NO.		VDC	VDC	Amp	Walt	R. P. M					dB-A
AF7D8038B12L	B=Ball S=Sleeve H=Hydraulic	12	7~13.5	0.5	6.00	4000	1.413	49.89	8.51	0.335	46.8
AF7D8038B12M		12	7~13.5	0.9	10.80	5500	1.988	70.21	15.83	0.623	53.2
AF7D8038B12H		12	7~13.5	1.2	14.40	6000	2.123	74.98	18.78	0.739	58.9
AF7D8038B12HH		12	7~13.5	1.6	19.20	7000	2.592	91.51	25.52	1.005	60.5
AF7D8038B12VH		12	7~13.5	2.1	25.20	8500	3.089	#####	37.26	1.467	66.6
AF7D8038B24L		24	18~26.5	0.25	6.00	4000	1.413	49.89	8.51	0.335	46.8
AF7D8038B24M		24	18~26.5	0.45	10.80	5500	1.988	70.21	15.83	0.623	53.2

AF7D8038B24H	B=Ball S=Sleeve H=Hydraulic	24	18~26.5	0.6	14.40	6000	2.123	74.98	18.78	0.739	58.9
AF7D8038B24HH		24	18~26.5	0.8	19.20	7000	2.592	91.51	25.52	1.005	60.5
AF7D8038B24VH		24	18~26.5	1.05	25.20	8500	3.089	#####	37.26	1.467	66.6
AF7D8038B48L		48	36~54	0.13	6.00	4000	1.413	49.89	8.51	0.335	46.8
AF7D8038B48M		48	36~54	0.23	10.80	5500	1.988	70.21	15.83	0.623	53.2
AF7D8038B48H		48	36~54	2.36	14.40	6000	2.123	74.98	18.78	0.739	58.9
AF7D8038B48HH		48	36~54	0.4	19.20	7000	2.592	91.51	25.52	1.005	60.5
AF7D8038B48VH		48	36~54	0.53	25.20	8500	3.089	#####	37.26	1.467	66.6

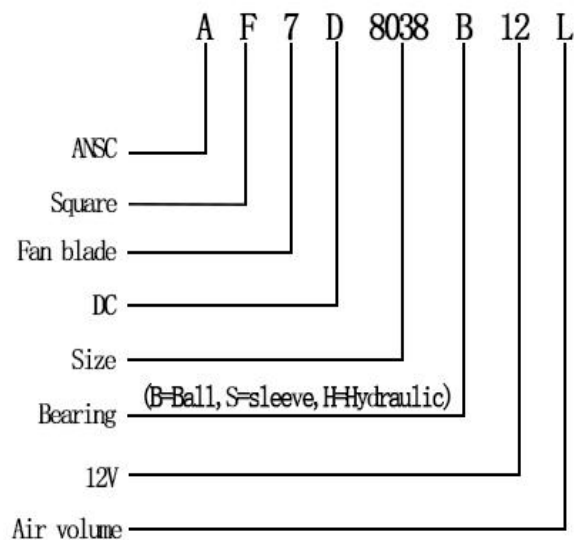
①Bearing Mode:Ball/ Sleeve/Hydraulic/Ball (UL)/Sleeve (UL)Hydraulic (UL)

②X=Function: FG RD RDL LD PWM TP VC RC CS RP SS AS CL IPX5

③A=Plug

④C=Customized by customers: Air volume, Air duct, Movement, Service life, Temperature, Noise, Material, Mold.etc.

导引：编码规则Code Rule



\*PROPRIETARY AND CONFIDENTIAL , THE INFORMATION CONTAINED IN THIS DRAWING IS THE SOLE PROPERTY OF <ALL NEW SEMI>. ANY REPRODUCTION IN PART OR AS A WHOLE WITHOUT THE WRITTEN PERMISSION OF <ALL NEW SEMI> IS PROHIBITED.

<https://allnewsemi.com>  
<https://allnewsemi.shop>