



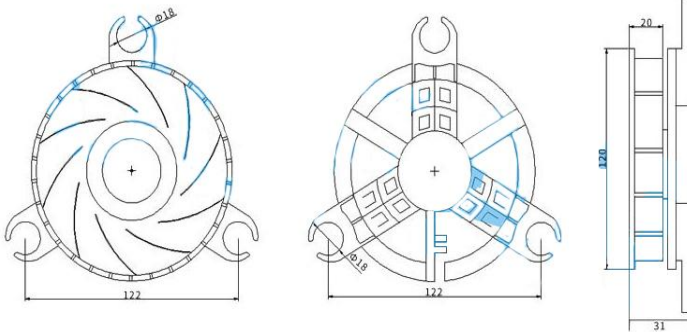
## EC Brushless FAN

**AQL12030B 120\*120\*30MM**

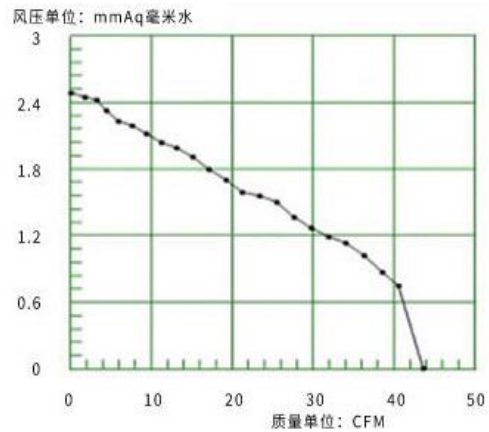
Motor:DC Brushless  
 Bearing:Ball  
 Shell frame: PBT UL94V\_0  
 Fan blade: PBT UL94V\_0  
 Insulation:Class B  
 Wire:AWG#26UL1007 (optional)  
 PIN1:BLACK WIRE----(-)  
 PIN2:RED WIRE----(+)



**DIMENSIONS DRAWING(unit:mm)**



**P@Q CURVE(AT RATED VOLTAGE)**



| Model        | Bearing Mode①                     | Rated Vol | Frequency | Rated current | Rated input power | Speed   | Maximum air Flow |      | Maximum Air pressure |       | Noise |
|--------------|-----------------------------------|-----------|-----------|---------------|-------------------|---------|------------------|------|----------------------|-------|-------|
|              |                                   |           |           |               |                   |         | M3/min           | CFM  | mmH2O                | InH2O |       |
| PART. NO.    | B=Ball<br>S=Sleeve<br>H=Hydraulic | VDC       | VDC       | Amp           | Watt              | R. P. M |                  |      |                      |       |       |
| AQL12030B12M |                                   | 12        | 7.5~13.5  | 0.15          | 1.8               | 37000   | 0.437            | 7.58 | /                    | /     | /     |

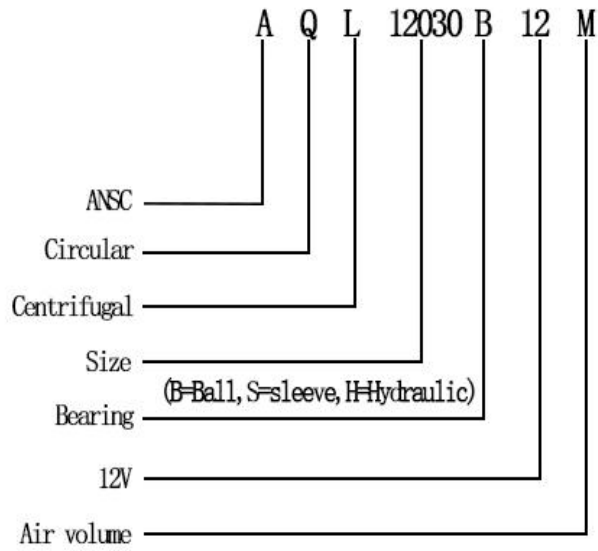
①Bearing Mode:Ball/ Sleeve/Hydraulic/Ball (UL)/Sleeve (UL)Hydraulic (UL)

②X=Function: FG RD RDL LD PWM TP VC RC CS RP SS AS CL IPX5

③A=Plug

④C=Customized by customers: Air volume, Air duct, Movement,Service life, Temperature, Noise, Material, Mold.etc.

导引：编码规则Code Rule



\*PROPRIETARY AND CONFIDENTIAL , THE INFORMATION CONTAINED IN THIS DRAWING IS THE SOLE PROPERTY OF <ALL NEW SEMI>.  
ANY REPRODUCTION IN PART OR AS A WHOLE WITHOUT THE WRITTEN PERMISSION OF <ALL NEW SEMI> IS PROHIBITED.

<https://allnewsemi.com>  
<https://allnewsemi.shop>