



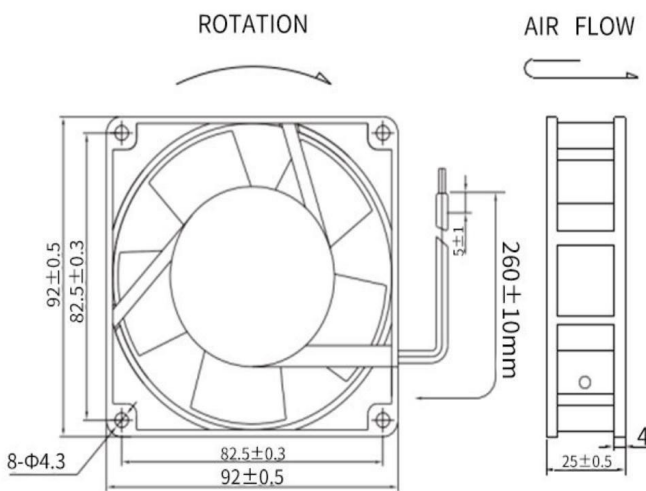
AC BRUSHLESS FAN

AF5A9225B 92*92*25mm

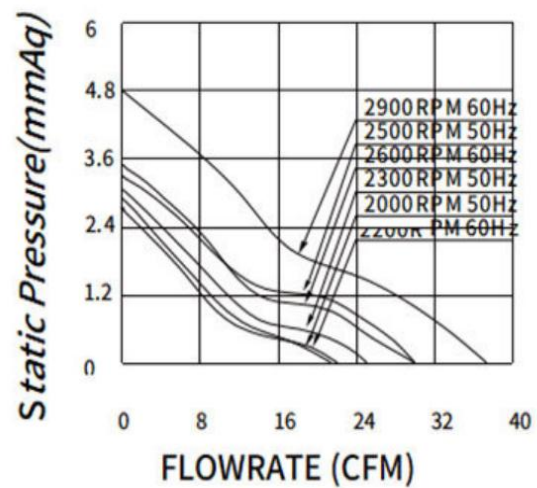
Motor: AC Brushless
 Bearing: Ball
 Shell frame: Aluminium Alloy
 Fan blade: PBT UL94V-0
 Insulation: Class B
 Wire: AWG#26UL1007 (optional)
 PIN1: BLACK WIRE---(-)
 PIN2: RED WIRE---(+)



DIMENSIONS DRAWING(unit:mm)



P@Q CURVE(AT RATEDVOLTAGE)



Model	Bearing Mode①	Rated Vol	Operating voltage	Rated current	Rated input power	Speed	Maximum air Flow		Maximum Air pressure		Noise
PART. NO.		VDC	VDC	Amp	Watt	R. P. M	M3/min	CFM	mmH20	InH20	dB-A
AF5A9225B110H	B=Ball S=Sleeve H=Hydraulic	110	100~125	0.12/0.1	14/13.5	2500/2900	0.84/1.0	30/37	3.3/4.83	0.12/0.1	32/37
AF5A9225B110M		110	100~125	0.09/0.0	11/10	2300/2600	0.7/0.8	25/30	3.0/3.5	0.11/0.1	25/33
AF5A9225B110L		110	100~125	0.07/0.0	9/8	2000/2200	0.59/0.6	21/22	2.7/2.6	0.1/0.1	22/24
AF5A9225B220H		220	220~240	0.07/0.0	14/13.5	2500/2900	0.84/1.0	30/37	3.3/4.83	0.12/0.1	32/37
AF5A9225B220M		220	220~240	0.06/0.0	11/10	2300/2600	0.7/0.8	25/30	3.0/3.5	0.11/0.1	25/33
AF5A9225B220L		220	220~240	0.05/0.0	9/8	2000/2200	0.59/0.6	21/22	2.7/2.6	0.1/0.1	22/24

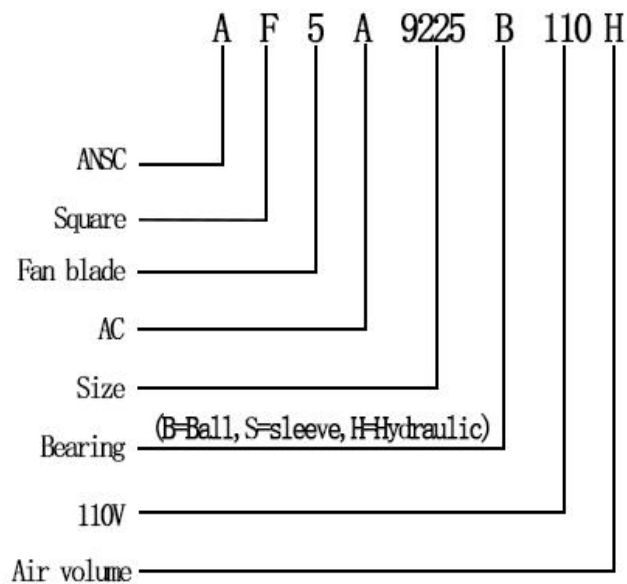
①Bearing Mode:Ball/ Sleeve/Hydraulic/Ball (UL)/Sleeve(UL)Hydraulic(UL)

②X=Function: FG RD RDL LD PWM TP VC RC CS RP SS AS CL IPX5

③A=Plug

④C=Customized by customers: Air volume, Air duct, Movement, Service life, Temperature, Noise, Material, Mold.etc.

导引： 编码规则Code Rule



*PROPRIETARY AND CONFIDENTIAL , THE INFORMATION CONTAINED IN THIS DRAWING IS THE SOLE PROPERTY OF <ALL NEW SEMI>.

ANY REPRODUCTION IN PART OR AS A WHOLE WITHOUT THE WRITTEN PERMISSION OF <ALL NEW SEMI> IS PROHIBITED.

<https://allnewsemi.com>
<https://allnewsemi.shop>