



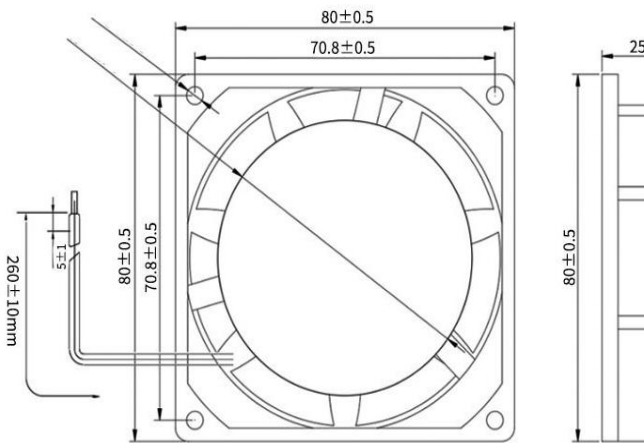
# AC BRUSHLESS FAN

**AF7A8025B 80\*80\*25mm**

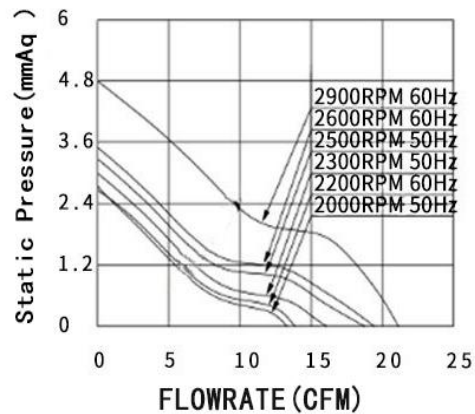
Motor: AC Brushless  
 Bearing: Ball  
 Shell frame: Aluminium Alloy  
 Fan blade: PBT UL94V-0  
 Insulation: Class B  
 Wire: AWG#26UL1007 (optional)  
 PIN1: BLACK WIRE---(-)  
 PIN2: RED WIRE---(+)



**DIMENSIONS DRAWING(unit:mm)**



**P@Q CURVE(AT RATED VOLTAGE)**



Model	Bearing Mode①	Rated Volt	Operating voltage	Rated current	Rated input power	Speed	Maximum air Flow		Maximum Air pressure		Noise
PART. NO.		VDC	VDC	Amp	Watt	R. P. M	M3/min	CFM	mmH20	InH20	dB-A
AF7A8025B110H	B=Ball S=Sleeve H=Hydraulic	110	100~125	0.12/0.1	14/13.5	2500/2900	0.39/0.46	13.98/16.54	2.89/4.2	0.11/0.1	29/33
AF7A8025B110M		110	100~125	0.09/0.08	10/11	2300/2600	0.45/0.53	16/19	3.0/3.5	0.11/0.1	34/30
AF7A8025B110L		110	100~125	0.07/0.07	9/8	2000/2200	0.36/0.39	13/14	2.7/26	0.1/0.1	20/21
AF7A8025B220H		220	220~240	0.07/0.06	14/13.5	2500/2900	0.39/0.46	13.98/16.54	2.89/4.2	0.11	29/33
AF7A8025B220M		220	220~240	0.06/0.06	10/11	2300/2600	0.45/0.53	16/19	3.0/3.5	0.11/0.1	34/30
AF7A8025B220L		220	220~240	0.05/0.05	9/8	2000/2200	0.36/0.39	13/14	2.7/26	0.1/0.1	20/21

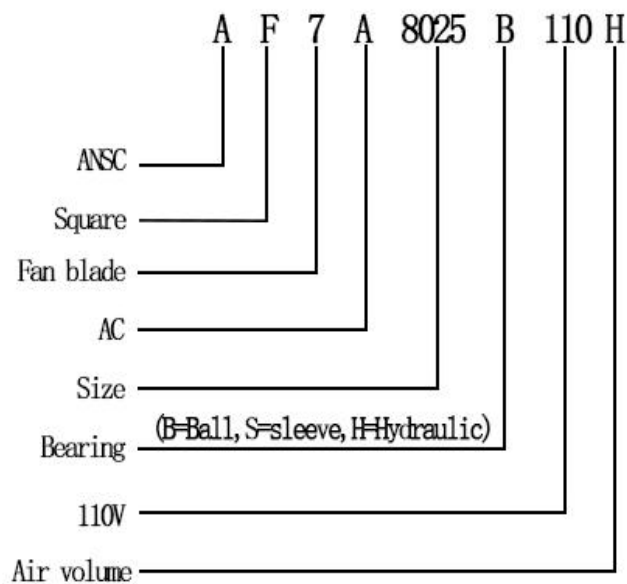
① Bearing Mode: Ball / Sleeve / Hydraulic / Ball (UL) / Sleeve (UL) / Hydraulic (UL)

② X=Function: FG RD RDL LD PWM TP VC RC CS RP SS AS CL IPX5

③ A=Plug

④ C=Customized by customers: Air volume, Air duct, Movement, Service life, Temperature, Noise, Material, Mold. etc.

导引：编码规则 Code Rule



\*PROPRIETARY AND CONFIDENTIAL , THE INFORMATION CONTAINED IN THIS DRAWING IS THE SOLE PROPERTY OF <ALL NEW SEMI>.

ANY REPRODUCTION IN PART OR AS A WHOLE WITHOUT THE WRITTEN PERMISSION OF <ALL NEW SEMI> IS PROHIBITED.

<https://allnewsemi.com>  
<https://allnewsemi.shop>