



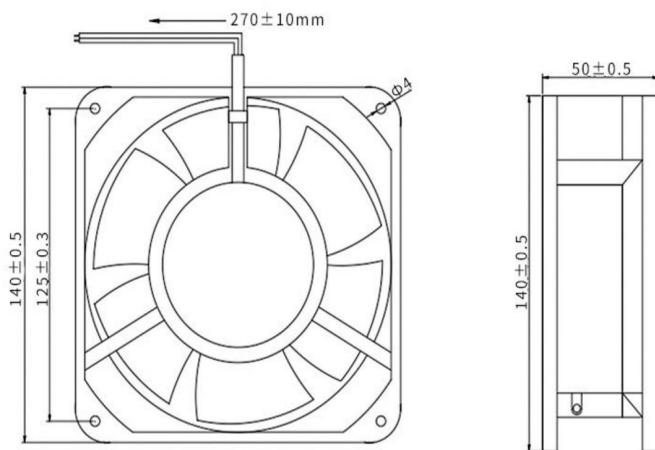
AC BRUSHLESS FAN

AF6A14050B 140*140*50MM

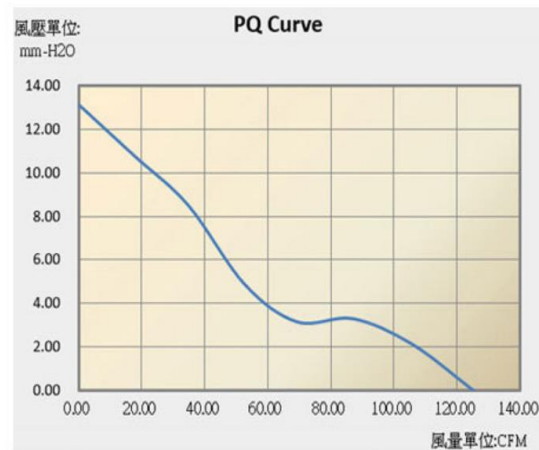
Motor: AC Brushless
 Bearing: Ball
 Shell frame: Aluminium Alloy
 Fan blade: Aluminium Alloy
 Insulation: Class B
 Wire: AWG#26UL1007 (optional)
 PIN1: BLACK WIRE---(-)
 PIN2: RED WIRE---(+)



DIMENSIONS DRAWING(unit:mm)



P@Q CURVE(AT RATED VOLTAGE)



Model	Bearing Mode ^①	Rated Vol	Operating voltage	Rated curr	Rated input power	Speed	Maximum air Flow		Maximum Air pressure		Noise
		VDC	VDC	Amp	Watt		M3/min	CFM	mmH2O	InH2O	
PART. NO.						R. P. M					dB-A
AF6A14050B220M	B=Ball S=Sleeve H=Hydraulic	220	200~240	0.2	30	2800	1.058	125.39	13.14	4.538	45.6
AF6A14050B220L		220	200~240	0.18	28	3200	1.358	140.58	14.53	5.638	50.8

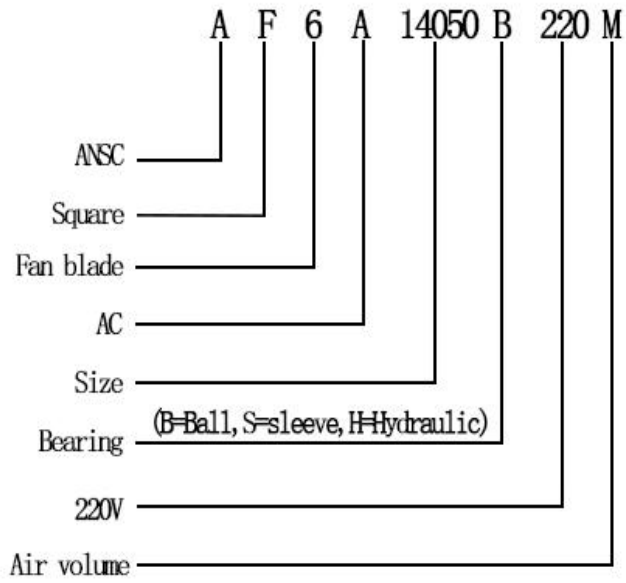
① Bearing Mode: Ball / Sleeve / Hydraulic / Ball (UL) / Sleeve (UL) Hydraulic (UL)

② X=Function: FG RD RDL LD PWM TP VC RC CS RP SS AS CL IPX5

③ A=Plug

④ C=Customized by customers: Air volume, Air duct, Movement, Service life, Temperature, Noise, Material, Mold. etc.

导引：编码规则Code Rule



*PROPRIETARY AND CONFIDENTIAL , THE INFORMATION CONTAINED IN THIS DRAWING IS THE SOLE PROPERTY OF <ALL NEW SEMI>.
ANY REPRODUCTION IN PART OR AS A WHOLE WITHOUT THE WRITTEN PERMISSION OF <ALL NEW SEMI> IS PROHIBITED.

<https://allnewsemi.com>
<https://allnewsemi.shop>