



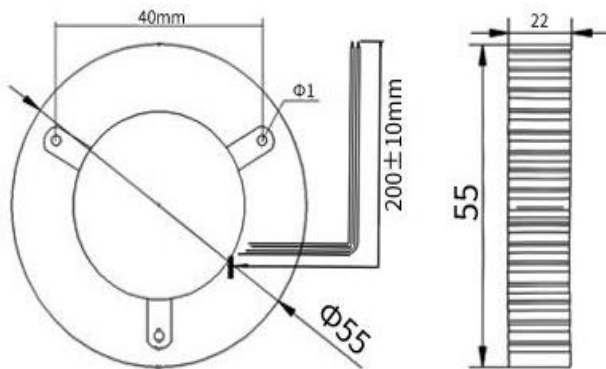
EC Brushless FAN

AQL7530B 75*75*30MM

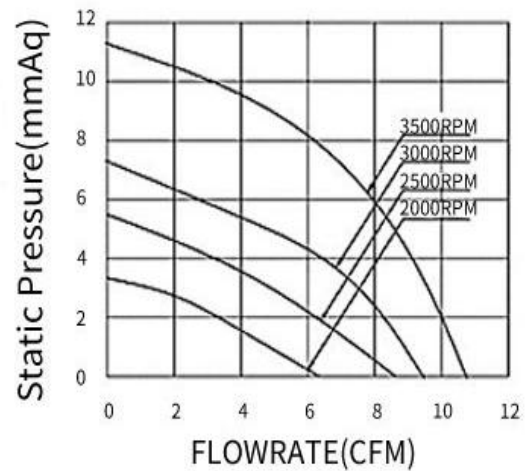
Motor:DC Brushless
 Bearing:Ball、sleeve、Hydraulic
 Shell frame: PBT UL94V_0
 Fan blade: PBT UL94V_0
 Insulation:Class B
 Wire:AWG#26UL1007 (optional)
 PIN1:BLACK WIRE----(-)
 PIN2:RED WIRE----(+)



DIMENSIONS DRAWING(unit:mm)



P@Q CURVE(AT RATED VOLTAGE)



Model	Bearing Mode①	Rated Vol	Frequency	Rated current	Rated input power	Speed	Maximum air Flow		Maximum Air pressure		Noise
		VDC	VDC	Amp	Watt		R. P. M	M3/min	CFM	mmH20	
PART. NO.		VDC	VDC	Amp	Watt	R. P. M	M3/min	CFM	mmH20	InH20	dB-A
AQL7530B12L	B=Ball S=Sleeve H=Hydraulic	12	7~13.5	0.16	1.92	2000	0.18	6.37	2.65	0.104	33.2
AQL7530B12M		12	7~13.5	0.26	3.12	2500	0.251	8.87	5.53	0.218	37.5
AQL7530B12H		12	7~13.5	0.34	4.08	3000	0.264	9.25	7.26	0.286	42.7
AQL7530B12HH		12	7~13.5	0.46	5.52	3500	0.307	10.8	11.25	0.443	45.6
AQL7530B12VH		12	7~13.5	0.6	7.2	4000	0.37	12.9	14.37	0.57	46.8
AQL7530B24L		24	18~26.5	0.08	1.92	2000	0.18	6.37	2.65	0.104	33.2

AQL7530B24M	B=Ball S=Sleeve H=Hydraulic	24	18~26.5	0.13	3.12	2500	0.251	8.87	5.53	0.218	37.5
AQL7530B24H		24	18~26.5	0.17	4.08	3000	0.264	9.25	7.26	0.286	42.7
AQL7530B24HH		24	18~26.5	0.23	5.52	3500	0.307	10.8	11.25	0.443	45.6
AQL7530B24VH		24	18~26.5	0.3	7.2	4000	0.37	12.9	14.37	0.57	46.8
AQL7530B48L		48	36~54	0.04	1.92	2000	0.18	6.37	2.65	0.104	33.2
AQL7530B48M		48	36~54	0.065	3.12	2500	0.251	8.87	5.53	0.218	37.5
AQL7530B48H		48	36~54	0.085	4.08	3000	0.264	9.25	7.26	0.286	42.7
AQL7530B48HH		48	36~54	0.115	5.52	3500	0.307	10.8	11.25	0.443	45.6
AQL7530B48VH		48	36~54	0.15	7.2	4000	0.37	12.9	14.37	0.57	46.8

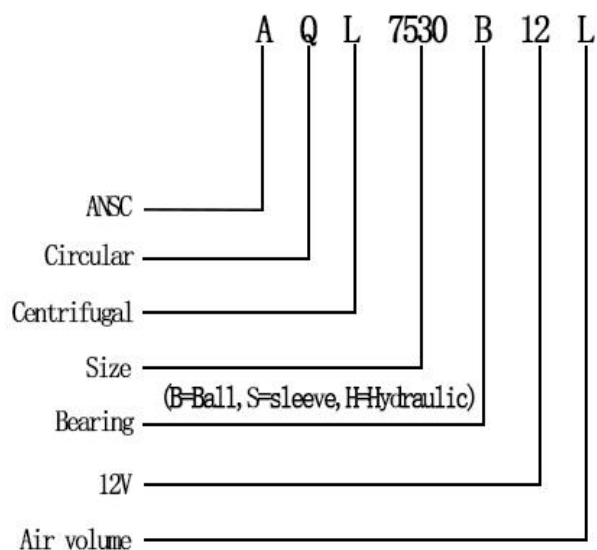
①Bearing Mode:Ball/ Sleeve/Hydraulic/Ball (UL)/Sleeve (UL)Hydraulic (UL)

②X=Function: FG RD RDL LD PWM TP VC RC CS RP SS AS CL IPX5

③A=Plug

④C=Customized by customers: Air volume, Air duct, Movement,Service life, Temperature, Noise, Material, Mold.etc.

导引： 编码规则Code Rule



*PROPRIETARY AND CONFIDENTIAL , THE INFORMATION CONTAINED IN THIS DRAWING IS THE SOLE PROPERTY OF <ALL NEW SEMI>. ANY REPRODUCTION IN PART OR AS A WHOLE WITHOUT THE WRITTEN PERMISSION OF <ALL NEW SEMI> IS PROHIBITED.

<https://allnewsemi.com>
<https://allnewsemi.shop>