



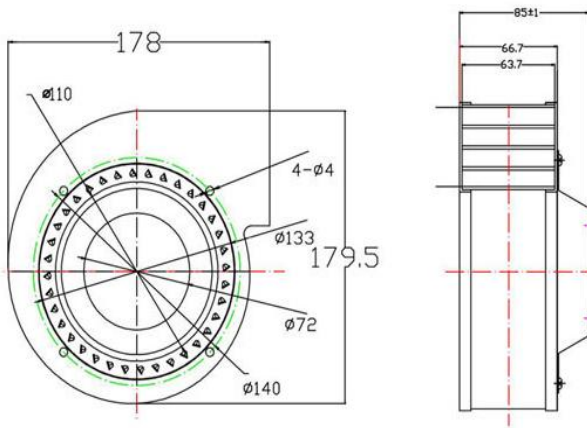
DC BLOWER FAN

AG18060B 180*180*60MM

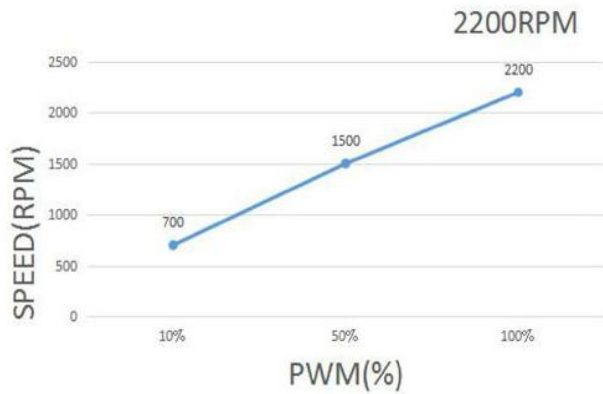
Motor:DC
 Bearing:Ball、sleeve、Hydraulic
 Shell frame: PBT UL94V-0
 Fan blade: PBT UL94V-0
 Insulation:Class B
 Wire:AWG#26UL1007 (optional)
 PIN1:BLACK WIRE---(-)
 PIN2:RED WIRE---(+)



DIMENSIONS DRAWING(unit:mm)



P@Q CURVE(AT RATED VOLTAGE)



Model	Bearing Mode①	Rated Vol	Frequency	Rated current	Rated input power	Speed	Maximum air Flow		Maximum Air pressure		Noise
							M3/min	CFM	mmH2O	InH2O	
PART. NO.	B=Ball S=Sleeve H=Hydraulic	VDC	Hz	Amp	Watt	R. P. M					dB-A
AG18060B24M		24	6~27.6	2.55	61.2	2200	175.25	39.54	39.54	/	64.2

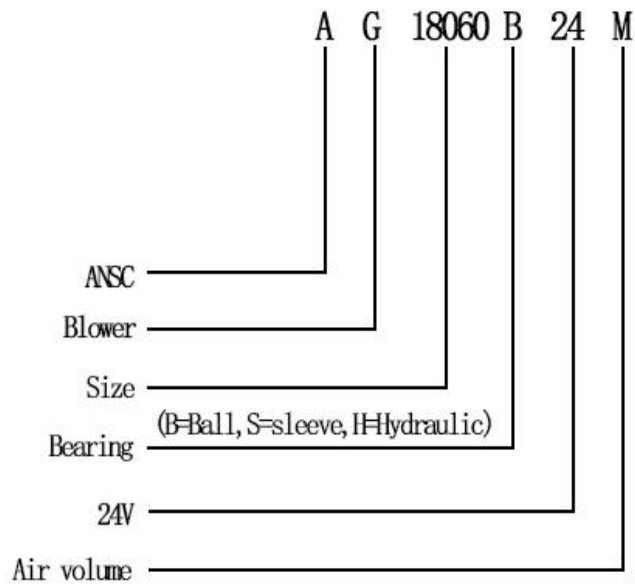
①Bearing Mode:Ball/ Sleeve/Hydraulic/Ball (UL)/Sleeve (UL)Hydraulic (UL)

②X=Function: FG RD RDL LD PWM TP VC RC CS RP SS AS CL IPX5

③A=Plug

④C=Customized by customers: Air volume, Air duct, Movement,Service life, Temperature, Noise, Material, Mold.etc.

导引：编码规则Code Rule



*PROPRIETARY AND CONFIDENTIAL , THE INFORMATION CONTAINED IN THIS DRAWING IS THE SOLE PROPERTY OF <ALL NEW SEMI>.
ANY REPRODUCTION IN PART OR AS A WHOLE WITHOUT THE WRITTEN PERMISSION OF <ALL NEW SEMI> IS PROHIBITED.

<https://allnewsemi.com>
<https://allnewsemi.shop>