



DC Blower fan

AG7015B 70*70*15mm

Motor:DC

Bearing:Ball、sleeve、Hydraulic

Shell frame: PBT UL94V-0

Fan blade: PBT UL94V-0

Insulation:Class B

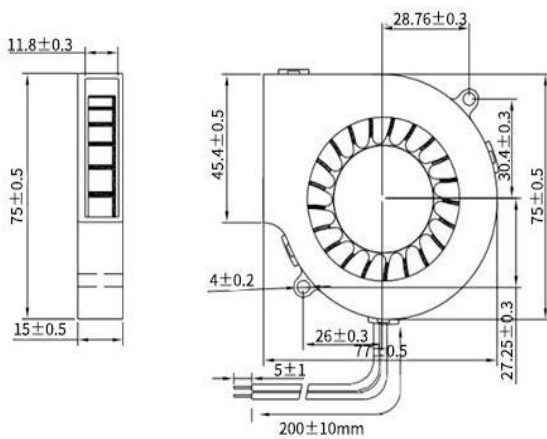
Wire:AWG#26UL1007 (optional)

PIN1:BLACK WIRE----(-)

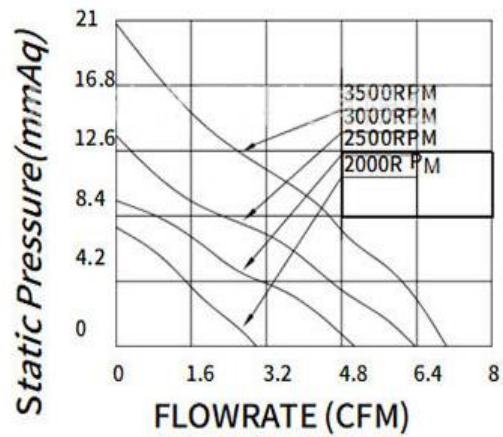
PIN2:RED WIRE----(+)



DIMENSIONS DRAWING(unit:mm)



P@Q CURVE(AT RATED VOLTAGE)



Model	Bearing Mode①	Rated	Operating	Rated	Rated	Speed	Maximum		Maximum		Noise
		d	voltage	current	input		air Flow	Air pressure	mmH2O	InH2O	
PART. NO.		VDC	VDC	Amp	Watt	R. P. M	M3/min	CFM	mmH2O	InH2O	dB-A
AG7015B12L	B=Ball S=Sleeve H=Hydraulic	12	6~13.5	0.1	1.20	2000	0.119	4.20	5.29	0.208	30.2
AG7015B12LM		12	6~13.5	0.14	1.68	2500	0.147	5.18	9.30	0.336	35.7
AG7015B12M		12	6~13.5	0.22	2.64	3000	0.178	6.27	13.81	0.544	39.6
AG7015B12H		12	6~13.5	0.3	3.60	3500	0.204	7.21	20.66	0.813	44.4
AG7015B24L		24	18~26.5	0.05	1.20	2000	0.119	4.20	5.29	0.208	30.2
AG7015B24LM		24	18~26.5	0.07	1.68	2500	0.147	5.18	9.30	0.336	35.7

AG7015B24M	B=Ball	24	18~26.5	0.11	2.64	3000	0.178	6.27	13.81	0.544	39.6
AG7015B24H	S=Sleeve H=Hydraulic	24	18~26.5	0.15	3.60	3500	0.204	7.21	20.66	0.813	44.4

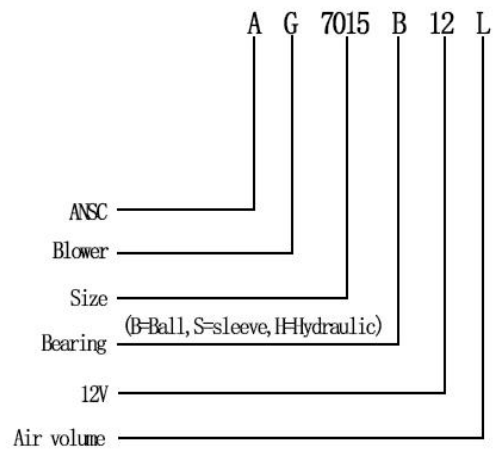
①Bearing Mode:Ball/ Sleeve/Hydraulic/Ball (UL)/Sleeve (UL)Hydraulic (UL)

②X=Function: FG RD RDL LD PWM TP VC RC CS RP SS AS CL IPX5

③A=Plug

④C=Customized by customers: Air volume, Air duct, Movement, Service life, Temperature, Noise, Material, Mold.etc.

导引： 编码规则Code Rule



*PROPRIETARY AND CONFIDENTIAL , THE INFORMATION CONTAINED IN THIS DRAWING IS THE SOLE PROPERTY OF <ALL NEW SEMI>. ANY REPRODUCTION IN PART OR AS A WHOLE WITHOUT THE WRITTEN PERMISSION OF <ALL NEW SEMI> IS PROHIBITED.

<https://allnewsemi.com>
<https://allnewsemi.shop>