



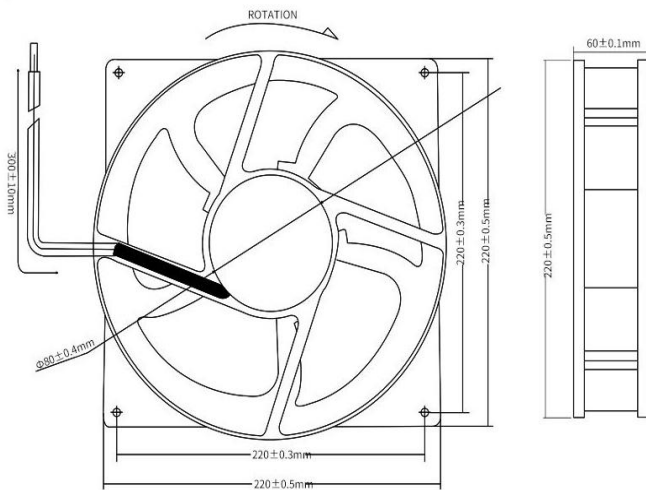
AC BRUSHLESS FAN

AQ5A22060B 220*200*60mm

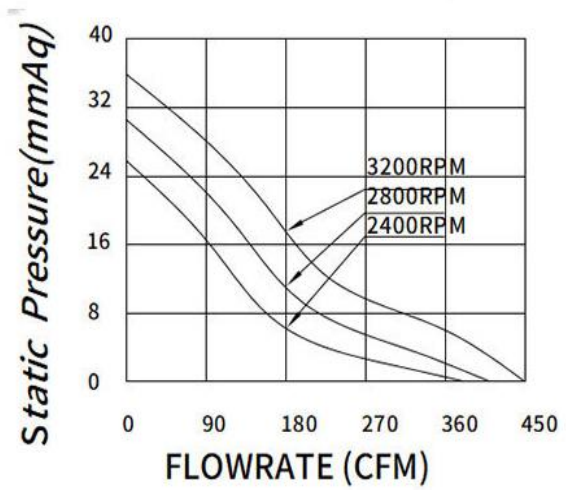
Motor: AC Brushless
 Bearing: Ball
 Shell frame: Aluminium Alloy
 Fan blade: Aluminium Alloy
 Insulation: Class B
 Wire: AWG#26UL1007 (optional)
 PIN1: BLACK WIRE--- (-)
 PIN2: RED WIRE--- (+)



DIMENSIONS DRAWING(unit:mm)



P@Q CURVE(AT RATEDVOLTAGE)



Model	Bearing Mode①	Rated Vol	Operat ing voltag	Rated current	Rated input power	Speed	Maximum air Flow		Maximum Air pressure		Noise
		VDC	VDC	Amp	Watt		M3/min	CFM	mmH2O	lnH2O	
PART. NO.		VDC	VDC	Amp	Watt	R. P. M	M3/min	CFM	mmH2O	lnH2O	dB-A
AQ5A22060B110L	B=Ball S=Sleeve H=Hydraulic	110	110~120	0.76/0.77	57/58	2400	10.98	388	25.4	1	56
AQ5A22060B110H		110	110~120	0.42/0.46	50/60	2800/32	11.32/12	400	28/36	1.1/1.4	61/66
AQ5A22060B220L		220	220~240	0.28/0.29	40/38	2400	10.98	388	25.4	1	56
AQ5A22060B220H		220	220~240	0.26/0.26	50/60	2800/32	11.32/12	400	28/36	1.1/1.4	61/66

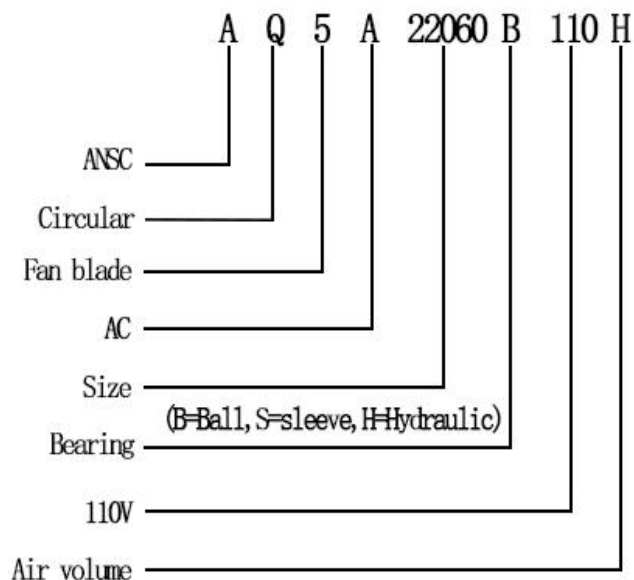
①Bearing Mode: Ball/ Sleeve/Hydraulic/Ball (UL)/Sleeve (UL)Hydraulic (UL)

②X=Function: FG RD RDL LD PWM TP VC RC CS RP SS AS CL IPX5

③A=Plug

④C=Customized by customers: Air volume, Air duct, Movement, Service life, Temperature, Noise, Material, Mold. etc.

导引： 编码规则Code Rule



*PROPRIETARY AND CONFIDENTIAL , THE INFORMATION CONTAINED IN THIS DRAWING IS THE SOLE PROPERTY OF <ALL NEW SEMI>.
ANY REPRODUCTION IN PART OR AS A WHOLE WITHOUT THE WRITTEN PERMISSION OF <ALL NEW SEMI> IS PROHIBITED.

<https://allnewsemi.com>
<https://allnewsemi.shop>