



## DC Blower fan

**AG6025B 60\*60\*25mm**

Motor:DC

Bearing:Ball、sleeve、Hydraulic

Shell frame: PBT UL94V-0

Fan blade: PBT UL94V-0

Insulation:Class B

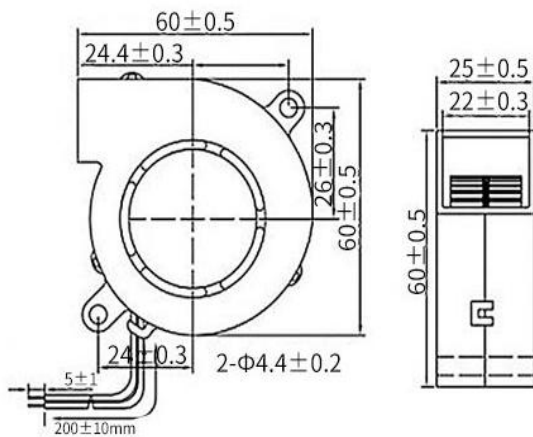
Wire:AWG#26UL1007 (optional)

PIN1:BLACK WIRE---(-)

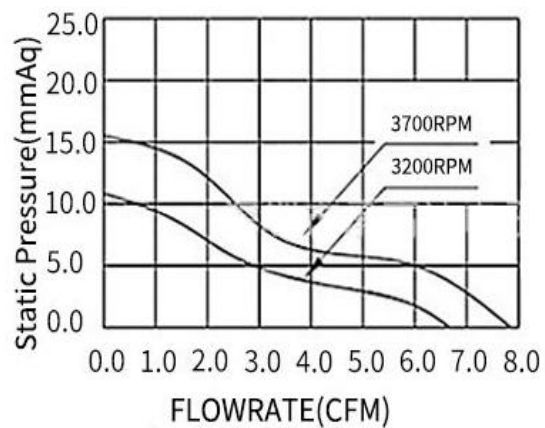
PIN2:RED WIRE---(+)



**DIMENSIONS DRAWING(unit:mm)**



**P@Q CURVE(AT RATEDVOLTAGE)**



Model	Bearing Mode①	Rated Volt	Operating voltage range	Rated current	Rated input power	Speed	Maximum air Flow		Maximum Air pressure		Noise
		VDC	VDC	Amp	Watt	R. P. M	M3/min	CFM	mmH2O	InH2O	
PART. NO.		VDC	VDC	Amp	Watt	R. P. M	M3/min	CFM	mmH2O	InH2O	dB-A
AG6025B05M	B=Ball S=Sleeve H=Hydraulic	5	3.6~6.8	0.43	2.61	3200	0.190	6.71	10.88	0.428	34.0
AG6025B05H		5	3.6~6.8	0.58	2.88	3700	0.223	7.88	15.49	0.61	39.0
AG6025B12M		12	7.5~13.5	0.18	2.61	3200	0.190	6.71	10.88	0.428	34.0
AG6025B12H		12	7.5~13.5	0.22	2.88	3700	0.223	7.88	15.49	0.61	39.0
AG6025B24M		24	18~26.5	0.09	2.61	3200	0.190	6.71	10.88	0.428	34.0
AG6025B24H		24	18~26.5	0.12	2.88	3700	0.223	7.88	15.49	0.61	39.0

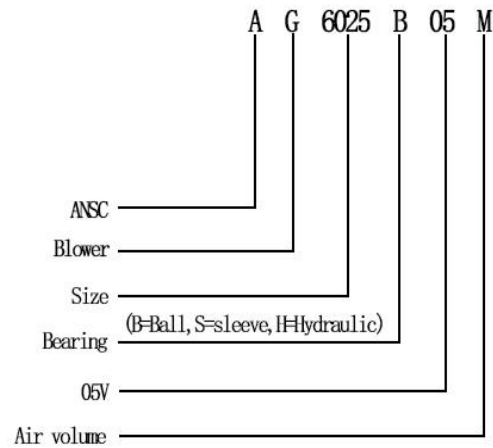
① Bearing Mode: Ball / Sleeve / Hydraulic / Ball (UL) / Sleeve (UL) / Hydraulic (UL)

② X=Function: FG RD RDL LD PWM TP VC RC CS RP SS AS CL IPX5

③ A=Plug

④ C=Customized by customers: Air volume, Air duct, Movement, Service life, Temperature, Noise, Material, Mold. etc.

导引: 编码规则 Code Rule



\*PROPRIETARY AND CONFIDENTIAL , THE INFORMATION CONTAINED IN THIS DRAWING IS THE SOLE PROPERTY OF <ALL NEW SEMI>.  
ANY REPRODUCTION IN PART OR AS A WHOLE WITHOUT THE WRITTEN PERMISSION OF <ALL NEW SEMI> IS PROHIBITED.

<https://allnewsemi.com>  
<https://allnewsemi.shop>