



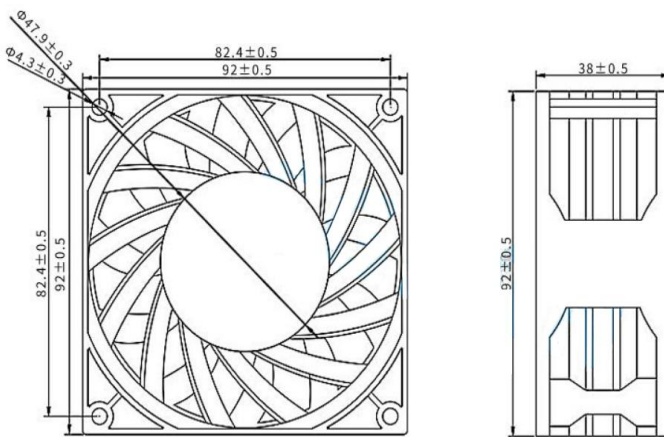
DC BRUSHLESS FAN

AF11D9238B 92*92*38mm

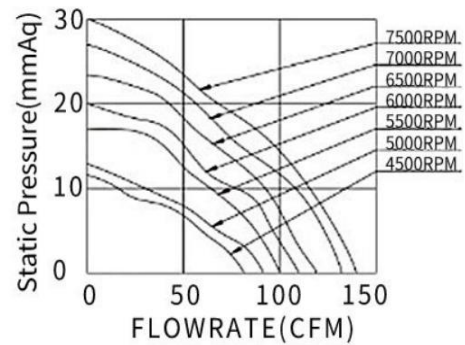
Motor:DC Brushless
 Bearing:Ball、sleeve、Hydraulic
 Shell frame: PBT UL94V-0
 Fan blade: PBT UL94V-0
 Insulation:Class B
 Wire:AWG#26UL1007 (optional)
 PIN1:BLACK WIRE----(-)
 PIN2:RED WIRE----(+)



DIMENSIONS DRAWING(unit:mm)



P@Q CURVE(AT RATED VOLTAGE)



Model	Bearing Mode①	Rate d	Operating	Rated	Rated	Speed	Maximum air Flow		Maximum Air pressure		Noise
		Volt	voltage range	current	input power		M3/min	CFM	mmH2O	InH2O	
PART. NO.		VDC	VDC	Amp	Watt	R. P. M	M3/min	CFM	mmH2O	InH2O	dB-A
AF11D9238B12L	B=Ball S=Sleeve H=Hydraulic	12	7~13.5	0.5	6.00	3500	2.007	70.86	8.25	0.325	48.0
AF11D9238B12M		12	7~13.5	0.9	10.80	4500	2.665	94.09	14.26	0.561	55.1
AF11D9238B12H		12	7~13.5	1.2	14.40	5500	3.172	112.02	20.24	0.797	61.5
AF11D9238B12HH		12	7~13.5	1.6	19.20	6500	3.768	133.04	24.87	0.979	65.6
AF11D9238B12VH		12	7~13.5	2.1	25.20	7000	4.086	144.26	30.88	1.216	66.2
AF11D9238B24L		24	18~26.5	0.25	6.00	3500	2.007	70.86	8.25	0.325	48.0
AF11D9238B24M		24	18~26.5	0.45	10.80	4500	2.665	94.09	14.26	0.561	55.1

AF11D9238B24H	B=Ball S=Sleeve H=Hydraulic	24	18~26.5	0.6	14.40	5500	3.172	112.02	20.24	0.797	61.5
AF11D9238B24HH		24	18~26.5	0.8	19.20	6500	3.768	133.04	24.87	0.979	65.6
AF11D9238B24VH		24	18~26.5	1.05	25.20	7000	4.086	144.26	30.88	1.216	66.2
AF11D9238B48L		48	36~54	0.13	6.00	3500	2.007	70.86	8.25	0.325	48.0
AF11D9238B48M		48	36~54	0.23	10.80	4500	2.665	94.09	14.26	0.561	55.1
AF11D9238B48H		48	36~54	2.36	14.40	5500	3.172	112.02	20.24	0.797	61.5
AF11D9238B48HH		48	36~54	0.4	19.20	6500	3.768	133.04	24.87	0.979	65.6
AF11D9238B48VH		48	36~54	0.53	25.20	7000	4.086	144.26	30.88	1.216	66.2

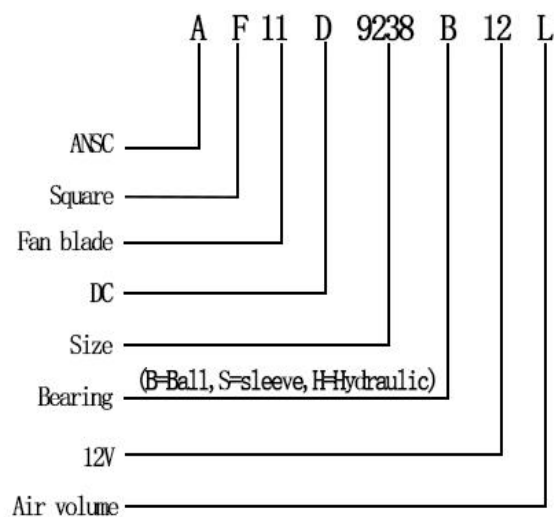
①Bearing Mode:Ball/ Sleeve/Hydraulic/Ball (UL)/Sleeve (UL)Hydraulic (UL)

②X=Function: FG RD RDL LD PWM TP VC RC CS RP SS AS CL IPX5

③A=Plug

④C=Customized by customers: Air volume, Air duct, Movement, Service life, Temperature, Noise, Material, Mold.etc.

导引: 编码规则Code Rule



*PROPRIETARY AND CONFIDENTIAL , THE INFORMATION CONTAINED IN THIS DRAWING IS THE SOLE PROPERTY OF <ALL NEW SEMI>.
 ANY REPRODUCTION IN PART OR AS A WHOLE WITHOUT THE WRITTEN PERMISSION OF <ALL NEW SEMI> IS PROHIBITED.