



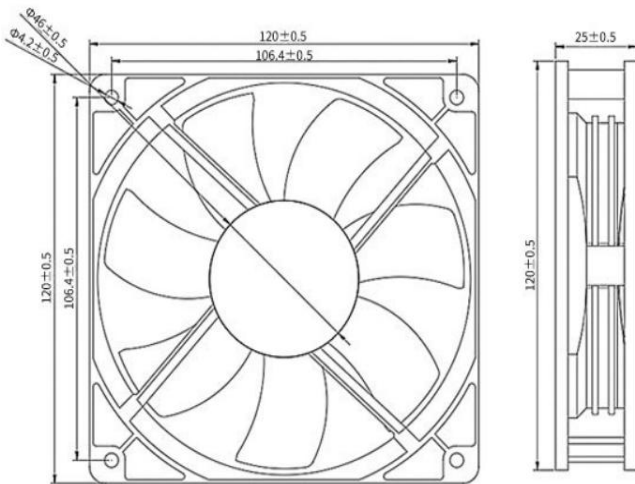
DC BRUSHLESS FAN

AF7D12025B 120*120*25mm

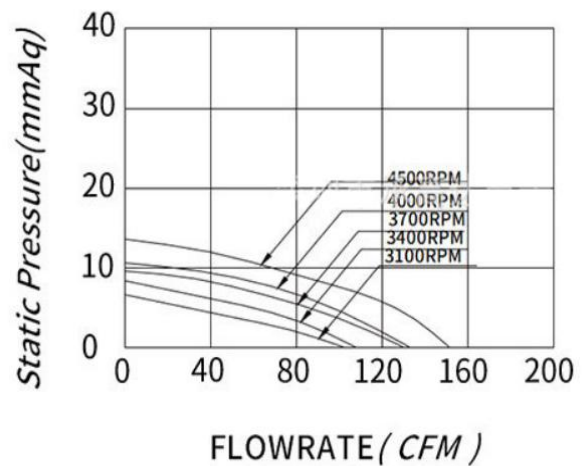
Motor:DC Brushless
 Bearing:Ball、sleeve、Hydraulic
 Shell frame: PBT UL94V-0
 Fan blade: PBT UL94V-0
 Insulation:Class B
 Wire:AWG#26UL1007 (optional)
 PIN1:BLACK WIRE---(-)
 PIN2:RED WIRE---(+)



DIMENSIONS DRAWING(unit:mm)



P@Q CURVE(AT RATED VOLTAGE)



Model	Bearing Mode①	Rated	Operating	Rated	Rated	Speed	Maximum		Maximum		Noise
		Volt	voltage range	current	input power		air Flow	Air pressure	mmH20	InH20	
PART. NO.		VDC	VDC	Amp	Watt	R. P. M	M3/min	CFM	mmH20	InH20	dB-A
AF7D12025B12L	B=Ball S=Sleeve H=Hydraulic	12	8~13.5	0.54	6.48	3100	2.920	103.12	6.59	0.259	46.6
AF7D12025B12M		12	8~13.5	0.62	7.44	3400	3.033	107.13	8.12	0.319	49.6
AF7D12025B12H		12	8~13.5	0.71	8.52	3700	3.657	129.18	9.63	0.379	51.4
AF7D12025B12HH		12	8~13.5	0.84	10.08	4000	3.785	133.70	10.55	0.415	53.8
AF7D12025B12VH		12	8~13.5	1.2	14.40	4500	4.409	155.73	13.73	0.54	57.2
AF7D12025B24L		24	18~26.5	0.3	6.48	3100	2.920	103.12	6.59	0.259	46.6
AF7D12025B24M		24	18~26.5	0.31	7.44	3400	3.033	107.13	8.12	0.319	49.6

AF7D12025B24H	B=Ball S=Sleeve H=Hydraulic	24	18~26.5	0.36	8.52	3700	3.657	129.18	9.63	0.379	51.4
AF7D12025B24HH		24	18~26.5	0.42	10.08	4000	3.785	133.70	10.55	0.415	53.8
AF7D12025B24VH		24	18~26.5	0.6	14.40	4500	4.409	155.73	13.73	0.54	57.2
AF7D12025B48L		48	36~54	0.14	6.48	3100	2.920	103.12	6.59	0.259	46.6
AF7D12025B48M		48	36~54	0.16	7.44	3400	3.033	107.13	8.12	0.319	49.6
AF7D12025B48H		48	36~54	0.18	8.52	3700	3.657	129.18	9.63	0.379	51.4
AF7D12025B48HH		48	36~54	0.21	10.08	4000	3.785	133.70	10.55	0.415	53.8
AF7D12025B48VH		48	36~54	0.3	14.40	4500	4.409	155.73	13.73	0.54	57.2

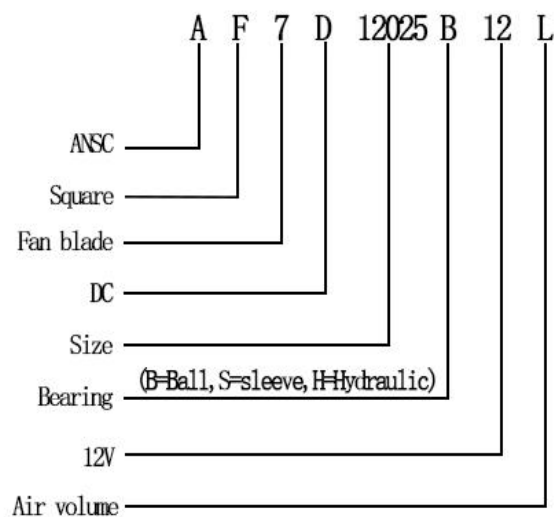
① Bearing Mode: Ball / Sleeve / Hydraulic / Ball (UL) / Sleeve (UL) Hydraulic (UL)

② X=Function: FG RD RDL LD PWM TP VC RC CS RP SS AS CL IPX5

③ A=Plug

④ C=Customized by customers: Air volume, Air duct, Movement, Service life, Temperature, Noise, Material, Mold. etc.

导引: 编码规则 Code Rule



*PROPRIETARY AND CONFIDENTIAL , THE INFORMATION CONTAINED IN THIS DRAWING IS THE SOLE PROPERTY OF <ALL NEW SEMI>. ANY REPRODUCTION IN PART OR AS A WHOLE WITHOUT THE WRITTEN PERMISSION OF <ALL NEW SEMI> IS PROHIBITED.

<https://allnewsemi.com>
<https://allnewsemi.shop>