



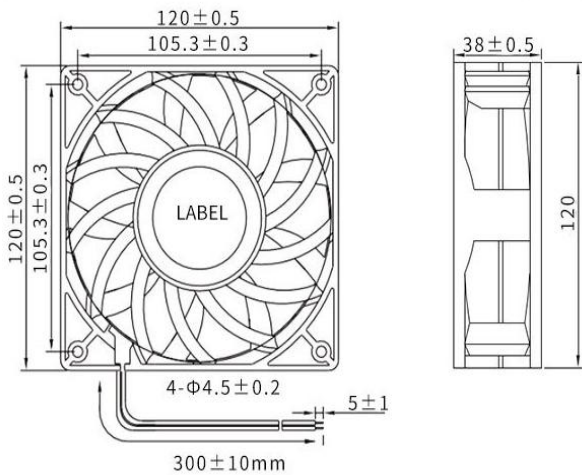
DC BRUSHLESS FAN

AF9D12038B 120*120*38mm

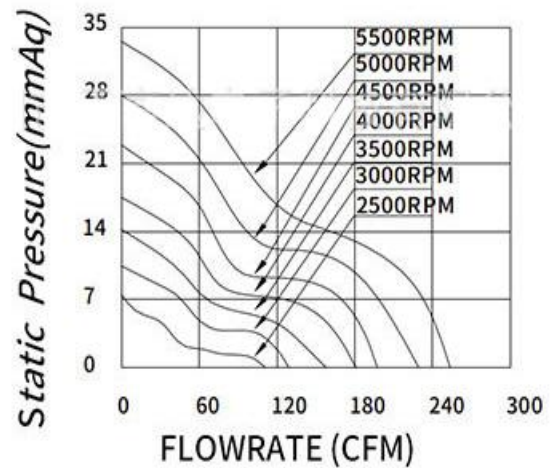
Motor:DC Brushless
 Bearing:Ball、sleeve、Hydraulic
 Shell frame: PBT UL94V-0
 Fan blade: PBT UL94V-0
 Insulation:Class B
 Wire:AWG#26UL1007 (optional)
 PIN1:BLACK WIRE---(-)
 PIN2:RED WIRE---(+)



DIMENSIONS DRAWING(unit:mm)



P@Q CURVE(AT RATED VOLTAGE)



Model	Bearing Mode①	Rated Volt	Operating voltage range	Rated current	Rated input power	Speed	Maximum air Flow		Maximum Air pressure		Noise
		VDC	VDC	Amp	Watt	R. P. M	M3/min	CFM	mmH2O	InH2O	dB-A
PART. NO.											
AF9D12038B12L	B=Ball S=Sleeve H=Hydraulic	12	8~13.5	0.35	4.20	2500	3.067	108.28	7.16	0.282	52.4
AF9D12038B12M		12	8~13.5	0.85	10.20	3000	3.728	131.62	10.43	0.411	56.0
AF9D12038B12VM		12	8~13.5	1.38	16.60	3500	4.458	157.40	14.20	0.559	57.6
AF9D12038B12H		12	8~13.5	1.9	22.80	4000	5.092	179.80	18.15	0.715	62.4
AF9D12038B12HH		12	8~13.5	2.4	28.80	4500	5.686	200.78	22.96	0.904	66.7
AF9D12038B12VH		12	8~13.5	2.8	33.60	5000	6.389	225.59	28.02	1.103	69.8
AF9D12038B12HV		12	8~13.5	3	36.00	5500	7.037	248.46	33.14	1.305	71.9

AF9D12038B24L	B=Ball S=Sleeve H=Hydraulic	24	18~26.5	0.175	4.20	2500	3.067	108.28	7.16	0.282	52.4
AF9D12038B24M		24	18~26.5	0.425	10.20	3000	3.728	131.62	10.43	0.411	56.0
AF9D12038B24VM		24	18~26.5	0.7	16.60	3500	4.458	157.40	14.20	0.559	57.6
AF9D12038B24H		24	18~26.5	0.95	22.80	4000	5.092	179.80	18.15	0.715	62.4
AF9D12038B24HH		24	18~26.5	1.2	28.80	4500	5.686	200.78	22.96	0.904	66.7
AF9D12038B24VH		24	18~26.5	1.4	33.60	5000	6.389	225.59	28.02	1.103	69.8
AF9D12038B24HV		24	18~26.5	1.5	36.00	5500	7.037	248.46	33.14	1.305	71.9
AF9D12038B48L		48	36~54	0.09	4.20	2500	3.067	108.28	7.16	0.282	52.4
AF9D12038B48M		48	36~54	0.21	10.20	3000	3.728	131.62	10.43	0.411	56.0
AF9D12038B48VM		48	36~54	0.345	16.60	3500	4.458	157.40	14.20	0.559	57.6
AF9D12038B48H		48	36~54	0.475	22.80	4000	5.092	179.80	18.15	0.715	62.4
AF9D12038B48HH		48	36~54	0.6	28.80	4500	5.686	200.78	22.96	0.904	66.7
AF9D12038B48VH		48	36~54	0.7	33.60	5000	6.389	225.59	28.02	1.103	69.8
AF9D12038B48HV		48	36~54	0.75	36.00	5500	7.037	248.46	33.14	1.305	71.9

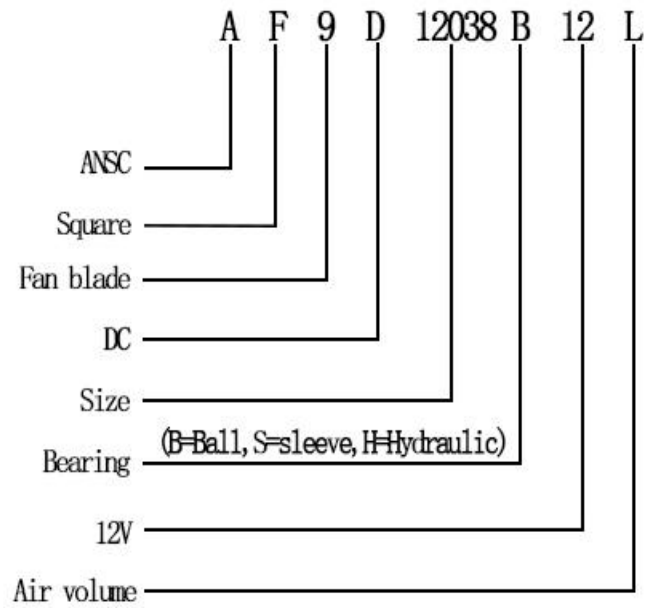
①Bearing Mode:Ball/ Sleeve/Hydraulic/Ball (UL)/Sleeve (UL)Hydraulic (UL)

②X=Function: FG RD RDL LD PWM TP VC RC CS RP SS AS CL IPX5

③A=Plug

④C=Customized by customers: Air volume, Air duct, Movement, Service life, Temperature, Noise, Material, Mold.etc.

导引：编码规则Code Rule



*PROPRIETARY AND CONFIDENTIAL , THE INFORMATION CONTAINED IN THIS DRAWING IS THE SOLE PROPERTY OF <ALL NEW SEMI>.
ANY REPRODUCTION IN PART OR AS A WHOLE WITHOUT THE WRITTEN PERMISSION OF <ALL NEW SEMI> IS PROHIBITED.

<https://allnewsemi.com>
<https://allnewsemi.shop>