



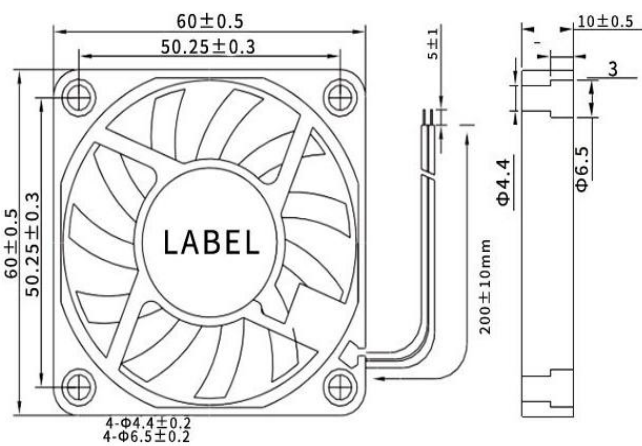
DC BRUSHLESS FAN

AF7D6010B 60*60*10mm

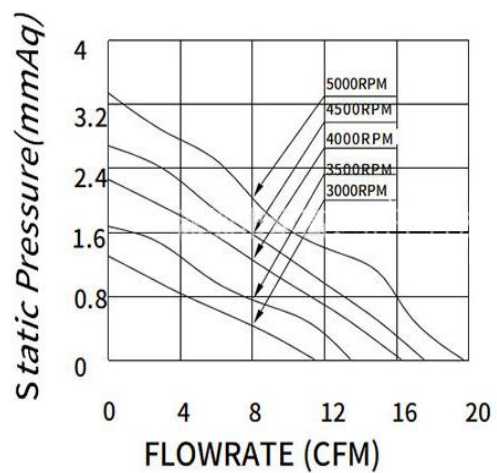
Motor:DC Brushless
 Bearing:Ball、sleeve、Hydraulic
 Shell frame: PBT UL94V-0
 Fan blade: PBT UL94V-0
 Insulation:Class B
 Wire:AWG#26UL1007 (optional)
 PIN1:BLACK WIRE----(-)
 PIN2:RED WIRE----(+)



DIMENSIONS DRAWING(unit:mm)



P@Q CURVE(AT RATED VOLTAGE)



Model	Bearing Mode①	Rate d	Operating	Rated	Rated	Speed	Maximum		Maximum		Noise
		Volt	voltage	current	input		air Flow	Air	pressure	pressure	
PART. NO.		VDC	range	Amp	Watt	R. P. M	M3/min	CFM	mmH2O	InH2O	dB-A
AF7D6010B05L	B=Ball S=Sleeve H=Hydraulic	5	1.8~3~6	0.072	0.36	3000	0.325	11.40	1.30	0.051	25.3
AF7D6010B05M		5	1.8~3~6	0.096	0.48	3500	0.381	13.40	1.67	0.066	29.3
AF7D6010B05H		5	1.8~3~6	0.12	0.60	4000	0.461	16.20	2.29	0.09	32.8
AF7D6010B05HH		5	1.8~3~6	0.144	0.72	4500	0.501	17.70	2.72	0.107	35.9
AF7D6010B05VH		5	1.8~3~6	0.168	0.84	5000	0.550	19.40	3.34	0.131	39.0
AF7D6010B12L		12	8.5~13.5	0.03	0.36	3000	0.325	11.40	1.30	0.051	25.3
AF7D6010B12M		12	8.5~13.5	0.04	0.48	3500	0.381	13.40	1.67	0.066	29.3

AF7D6010B12H	B=Ball S=Sleeve H=Hydraulic	12	8.5~13.5	0.05	0.60	4000	0.461	16.20	2.29	0.09	32.8
AF7D6010B12HH		12	8.5~13.5	0.06	0.72	4500	0.501	17.70	2.72	0.107	35.9
AF7D6010B12VH		12	8.5~13.5	0.07	0.84	5000	0.550	19.40	3.34	0.131	39.0

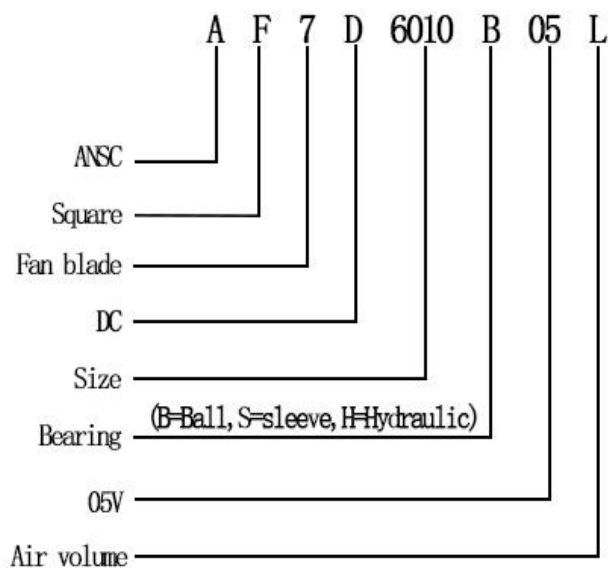
①Bearing Mode:Ball/ Sleeve/Hydraulic/Ball (UL)/Sleeve (UL)Hydraulic (UL)

②X=Function: FG RD RDL LD PWM TP VC RC CS RP SS AS CL IPX5

③A=Plug

④C=Customized by customers: Air volume, Air duct, Movement, Service life, Temperature, Noise, Material, Mold.etc.

导引: 编码规则Code Rule



*PROPRIETARY AND CONFIDENTIAL , THE INFORMATION CONTAINED IN THIS DRAWING IS THE SOLE PROPERTY OF <ALL NEW SEMI>. ANY REPRODUCTION IN PART OR AS A WHOLE WITHOUT THE WRITTEN PERMISSION OF <ALL NEW SEMI> IS PROHIBITED.

<https://allnewsemi.com>
<https://allnewsemi.shop>