



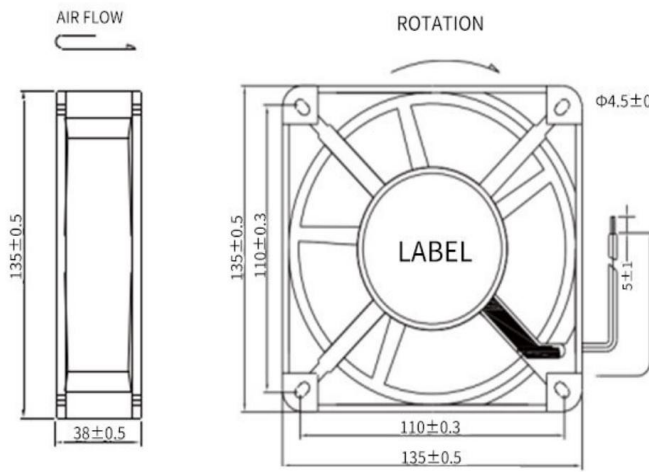
## AC BRUSHLESS FAN

**AF5A13538B 135\*135\*38mm**

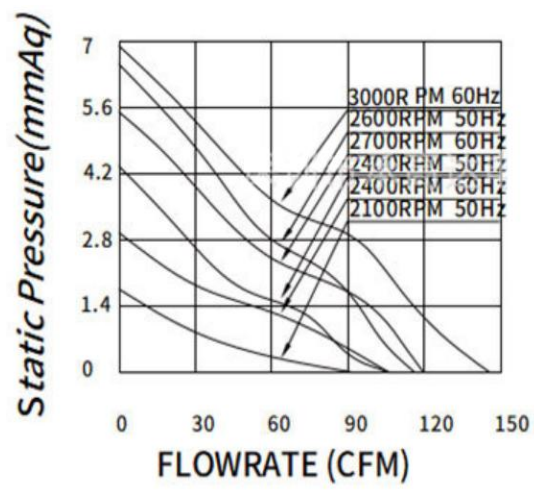
Motor: AC Brushless  
 Bearing: Ball  
 Shell frame: Aluminium Alloy  
 Fan blade: PBT UL 94V\_0  
 Insulation: Class B  
 Wire: AWG#26UL1007 (optional)  
 PIN1: BLACK WIRE---(-)  
 PIN2: RED WIRE---(+)



**DIMENSIONS DRAWING(unit:mm)**



**P@Q CURVE(AT RATED VOLTAGE)**



Model	Bearing Mode①	Rated Vol	Operati ng voltage	Rate d curr	Rated input power	Speed	Maximum air Flow		Maximum Air pressure		Noise
		VDC	VDC	Amp	Watt		M3/min	CFM	mmH2O	InH2O	
PART. NO.		VDC	VDC	Amp	Watt	R. P. M	M3/min	CFM	mmH2O	InH2O	dB-A
AF5A13538B380H	B=Ball S=Sleeve H=Hydraulic	380	360~400	0.06	23/21	2600/3000	3.22/3.95	115/141	6.5/6.8	0.26/0.2	43/45
AF5A13538B220H		220	200~240	0.14	23/21	2600/3000	3.22/3.95	115/141	6.5/6.8	0.26/0.2	43/45
AF5A13538B220M		220	200~240	0.1	15/14	2400/2700	3.00/3.36	107/120	4.3/5.1	0.17/0.2	41/43
AF5A13538B220L		220	200~240	0.07	10/9	2100/2400	2.60/3.00	93/107	1.8/3.0	0.07/0.1	39/41
AF5A13538B110H		110	100~120	0.22	23/21	2600/3000	3.22/3.95	115/141	6.5/6.8	0.26/0.2	43/45
AF5A13538B110M		110	100~120	0.18	15/14	2400/2700	3.00/3.36	107/120	4.3/5.1	0.17/0.2	41/43

AF5A13538B110L	B=Ball S=Sleeve H=Hydraulic	110	100~120	0.12	10/9	2100/2400	2.60/3.00	93/107	1.8/3.0	0.07/0.1	39/41
----------------	-----------------------------------	-----	---------	------	------	-----------	-----------	--------	---------	----------	-------

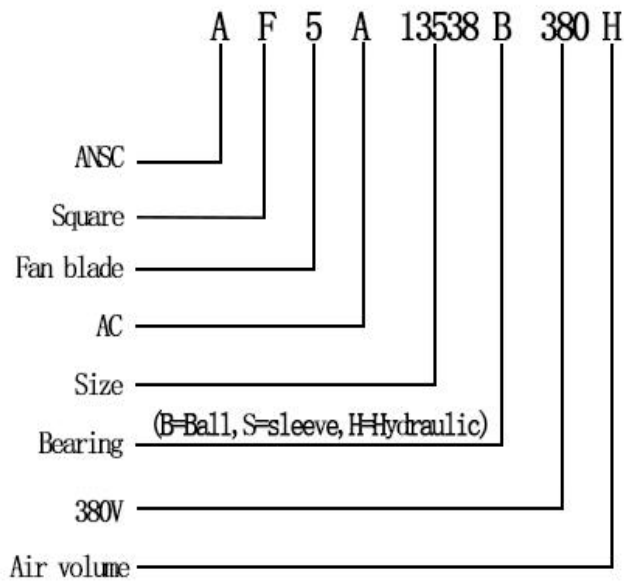
① Bearing Mode: Ball / Sleeve / Hydraulic / Ball (UL) / Sleeve (UL) Hydraulic (UL)

② X=Function: FG RD RDL LD PWM TP VC RC CS RP SS AS CL IPX5

③ A=Plug

④ C=Customized by customers: Air volume, Air duct, Movement, Service life, Temperature, Noise, Material, Mold. etc.

导引：编码规则Code Rule



\*PROPRIETARY AND CONFIDENTIAL , THE INFORMATION CONTAINED IN THIS DRAWING IS THE SOLE PROPERTY OF <ALL NEW SEMI>.

ANY REPRODUCTION IN PART OR AS A WHOLE WITHOUT THE WRITTEN PERMISSION OF <ALL NEW SEMI> IS PROHIBITED.

<https://allnewsemi.com>  
<https://allnewsemi.shop>