



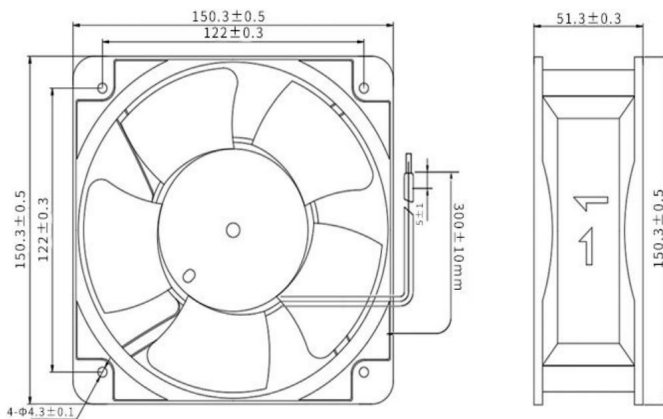
AC BRUSHLESS FAN

AF5A15050B 150*150*50MM

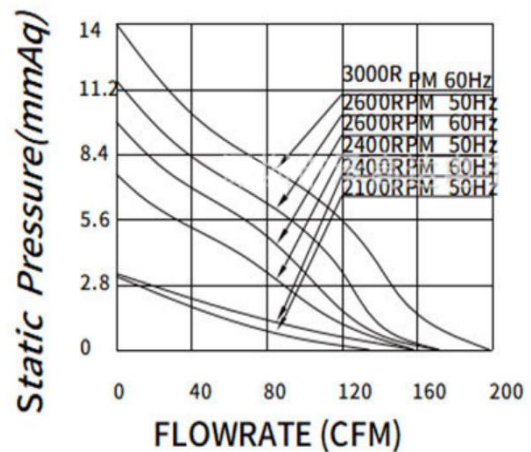
Motor: AC Brushless
 Bearing: Ball
 Shell frame: Aluminium Alloy
 Fan blade: PBT UL 94V_0
 Insulation: Class B
 Wire: AWG#26UL1007 (optional)
 PIN1: BLACK WIRE--- (-)
 PIN2: RED WIRE--- (+)



DIMENSIONS DRAWING(unit:mm)



P@Q CURVE(AT RATED VOLTAGE)



Model	Bearing Mode①	Rated Vol	Operating voltage	Rated curr	Rated input power	Speed	Maximum air Flow		Maximum Air pressure		Noise
		VDC	VDC	Amp	Watt		R. P. M	M3/min	CFM	mmH2O	
PART. NO.		VDC	VDC	Amp	Watt	R. P. M	M3/min	CFM	mmH2O	InH2O	dB-A
AF5A15050B380H	B=Ball S=Sleeve H=Hydraulic	380	360~400	0.13	38/36	2600/3000	4.76/5.4	170/196	11.5/14	0.45/0.5	49/56
AF5A15050B220H		220	200~240	0.23	38/36	2600/3000	4.76/5.4	170/196	11.5/14	0.45/0.5	49/56
AF5A15050B220M		220	200~240	0.18	28/27	2400/2600	4.34/4.7	155/170	7.5/9.7	0.3/0.3	45/49
AF5A15050B220L		220	200~240	0.12	21/20	2100/2400	3.84/4.3	137/155	3/3.9	0.12/0.1	39/45
AF5A15050B110H		110	100~120	0.45	38/36	2600/3000	4.76/5.4	170/196	11.5/14	0.45/0.5	49/56
AF5A15050B110M		110	100~120	0.3	28/27	2400/2600	4.34/4.7	155/170	7.5/9.7	0.3/0.3	45/49

AF5A15050B110L	B=Ball S=Sleeve H=Hydraulic	110	100~120	0.15	21/20	2100/2400	3.84/4.3	137/155	3/3.9	0.12/0.1	39/45
----------------	-----------------------------------	-----	---------	------	-------	-----------	----------	---------	-------	----------	-------

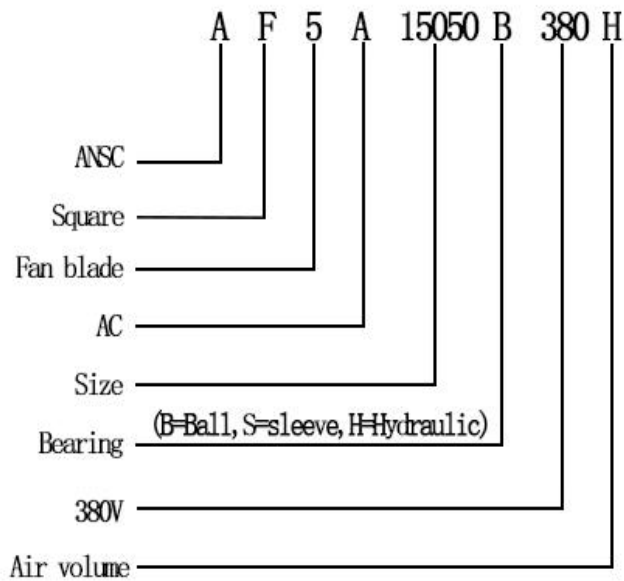
① Bearing Mode: Ball/ Sleeve/ Hydraulic/ Ball (UL)/ Sleeve (UL) Hydraulic (UL)

② X=Function: FG RD RDL LD PWM TP VC RC CS RP SS AS CL IPX5

③ A=Plug

④ C=Customized by customers: Air volume, Air duct, Movement, Service life, Temperature, Noise, Material, Mold. etc.

导引: 编码规则 Code Rule



*PROPRIETARY AND CONFIDENTIAL , THE INFORMATION CONTAINED IN THIS DRAWING IS THE SOLE PROPERTY OF <ALL NEW SEMI>.
 ANY REPRODUCTION IN PART OR AS A WHOLE WITHOUT THE WRITTEN PERMISSION OF <ALL NEW SEMI> IS PROHIBITED.

<https://allnewsemi.com>
<https://allnewsemi.shop>