



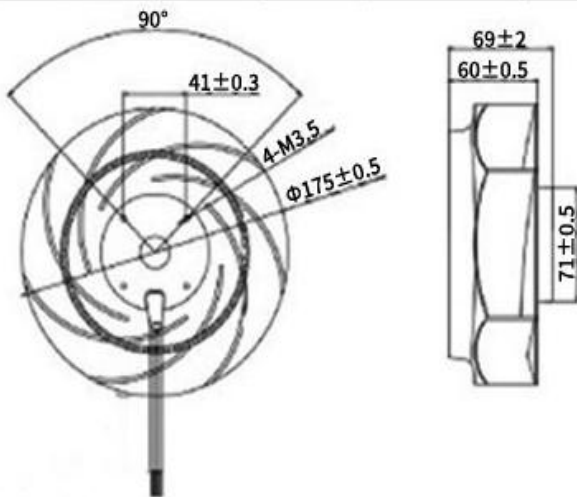
EC Brushless FAN

AQL17569B 175*175*69mm

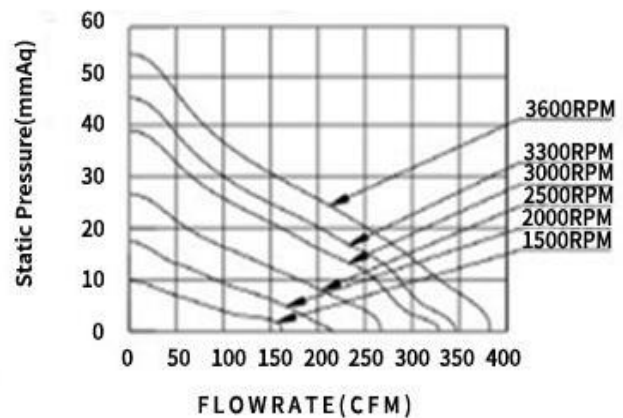
Motor:DC Brushless
 Bearing:Ball
 Shell frame: PBT UL94V_0
 Fan blade: PBT UL94V_0
 Insulation:Class B
 Wire:AWG#26UL1007 (optional)
 PIN1:BLACK WIRE---(-)
 PIN2:RED WIRE---(+)



DIMENSIONS DRAWING(unit:mm)



P@Q CURVE(AT RATED VOLTAGE)



Model	Bearing Mode①	Rated Vol	Freque ncy	Rated current	Rated input power	Speed	Maximum air Flow		Maximum Air pressure		Noise
		VDC	VDC	Amp	Watt		R. P. M	M3/min	CFM	mmH20	
PART. NO.		VDC	VDC	Amp	Watt	R. P. M	M3/min	CFM	mmH20	lnH20	dB-A
AQL17569B12L	B=Ball S=Sleeve H=Hydraulic	12	7.5~13.5	1	12	1500	4.565	161.3	9.87	0.339	51.2
AQL17569B12M		12	7.5~13.5	2	24	2000	6.131	216.64	17.35	0.683	51.8
AQL17569B12H		12	7.5~13.5	3	36	2500	7.538	266.35	26.6	1.047	57.2
AQL17569B12HH		12	7.5~13.5	4	48	3000	9.272	327.6	38.95	1.533	61.2
AQL17569B12VH		12	7.5~13.5	5	60	3300	9.782	345.68	45.28	1.783	64.1
AQL17569B12HV		12	7.5~13.5	6	72	3600	10.83	382.75	53.8	2.118	65.8

AQL17569B24L	B=Ball S=Sleeve H=Hydraulic	24	18~26.5	0.5	12	1500	4.565	161.3	9.87	0.339	51.2
AQL17569B24M		24	18~26.5	1	24	2000	6.131	216.64	17.35	0.683	51.8
AQL17569B24H		24	18~26.5	1.5	36	2500	7.538	266.35	26.6	1.047	57.2
AQL17569B24HH		24	18~26.5	2	48	3000	9.272	327.6	38.95	1.533	61.2
AQL17569B24VH		24	18~26.5	2.5	60	3300	9.782	345.68	45.28	1.783	64.1
AQL17569B24HV		24	18~26.5	3	72	3600	10.83	382.75	53.8	2.118	65.8
AQL17569B48L		48	36~54	0.25	12	1500	4.565	161.3	9.87	0.339	51.2
AQL17569B48M		48	36~54	0.5	24	2000	6.131	216.64	17.35	0.683	51.8
AQL17569B48H		48	36~54	0.75	36	2500	7.538	266.35	26.6	1.047	57.2
AQL17569B48HH		48	36~54	1	48	3000	9.272	327.6	38.95	1.533	61.2
AQL17569B48VH		48	36~54	1.25	60	3300	9.782	345.68	45.28	1.783	64.1
AQL17569B48HV		48	36~54	1.5	72	3600	10.83	382.75	53.8	2.118	65.8

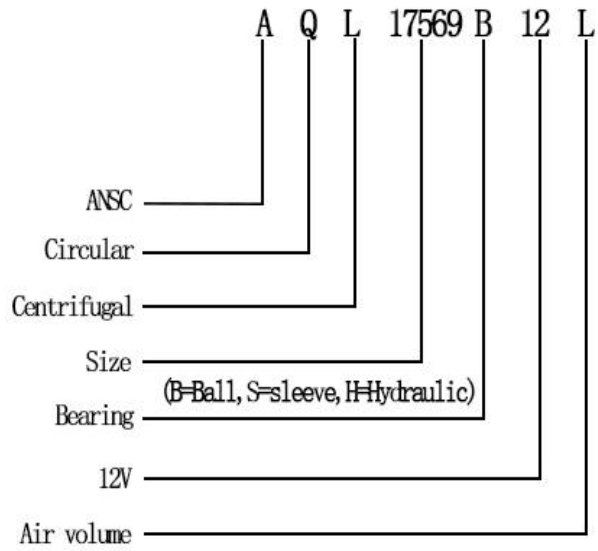
①Bearing Mode:Ball/ Sleeve/Hydraulic/Ball (UL)/Sleeve (UL)Hydraulic (UL)

②X=Function: FG RD RDL LD PWM TP VC RC CS RP SS AS CL IPX5

③A=Plug

④C=Customized by customers: Air volume, Air duct, Movement, Service life, Temperature, Noise, Material, Mold.etc.

导引： 编码规则Code Rule



*PROPRIETARY AND CONFIDENTIAL , THE INFORMATION CONTAINED IN THIS DRAWING IS THE SOLE PROPERTY OF <ALL NEW SEMI>.

ANY REPRODUCTION IN PART OR AS A WHOLE WITHOUT THE WRITTEN PERMISSION OF <ALL NEW SEMI> IS PROHIBITED.

<https://allnewsemi.com>
<https://allnewsemi.shop>