



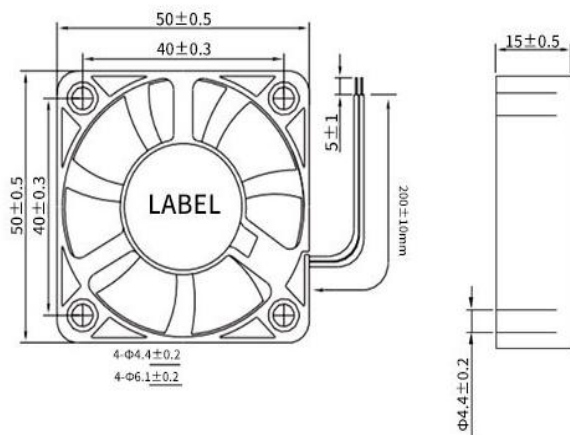
DC BRUSHLESS FAN

AF7D5015B 50*50*15mm

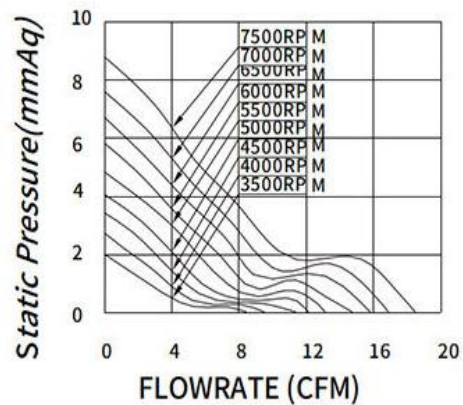
Motor:DC Brushless
 Bearing:Ball、sleeve、Hydraulic
 Shell frame: PBT UL94V-0
 Fan blade: PBT UL94V-0
 Insulation:Class B
 Wire:AWG#26UL1007 (optional)
 PIN1:BLACK WIRE----(-)
 PIN2:RED WIRE----(+)



DIMENSIONS DRAWING(unit:mm)



P@Q CURVE(AT RATED VOLTAGE)



Model	Bearing Mode①	Rate d	Operating	Rated	Rated	Speed	Maximum		Maximum		Noise
		Volt	voltage	current	input		air Flow	Air	pressure	pressure	
PART. NO.		VDC	range	Amp	Walt	R. P. M	M3/min	CFM	mmH20	InH20	dB-A
AF7D5015B05H	B=Ball S=Sleeve H=Hydraulic	5	1.8~3~6	0.12	0.60	3500	0.241	8.52	2.06	0.081	24.1
AF7D5015B05HH		5	1.8~3~6	0.144	0.72	4000	0.277	9.77	2.76	0.109	28.1
AF7D5015B05VH		5	1.8~3~6	0.192	0.96	4500	0.308	10.80	3.37	0.133	31.2
AF7D5015B05HV		5	1.8~3~6	0.24	1.20	5000	0.343	12.10	4.04	0.159	33.9
AF7D5015B12H		12	7~13.5	0.05	0.60	3500	0.241	8.52	2.06	0.081	24.1
AF7D5015B12HH		12	7~13.5	0.06	0.72	4000	0.277	9.77	2.76	0.109	28.1
AF7D5015B12VH		12	7~13.5	0.08	0.96	4500	0.308	10.80	3.37	0.133	31.2

AF7D5015B12HV	B=Ball S=Sleeve H=Hydraulic	12	7~13.5	0.1	1.20	5000	0.343	12.10	4.04	0.159	33.9
AF7D5015B12LH		12	7~13.5	0.14	1.68	5500	0.380	13.40	4.84	0.191	37.7
AF7D5015B12HL		12	7~13.5	0.18	2.16	6000	0.416	14.60	5.76	0.228	39.4
AF7D5015B12MH		12	7~13.5	0.24	2.88	6500	0.449	15.80	6.68	0.263	41.2
AF7D5015B12HM		12	7~13.5	0.3	3.60	7500	0.519	18.30	8.68	0.342	46.1
AF7D5015B24VH		24	18~26.5	0.04	0.96	4500	0.308	10.80	3.37	0.133	31.2
AF7D5015B24HV		24	18~26.5	0.05	1.20	5000	0.343	12.10	4.04	0.159	33.9
AF7D5015B24LH		24	18~26.5	0.07	1.68	5500	0.380	13.40	4.84	0.191	37.7
AF7D5015B24HL		24	18~26.5	0.09	2.16	6000	0.416	14.60	5.76	0.228	39.4
AF7D5015B24MH		24	18~26.5	0.12	2.88	6500	0.449	15.80	6.68	0.263	41.2
AF7D5015B24HM		24	18~26.5	0.15	3.60	7500	0.519	18.30	8.68	0.342	46.1

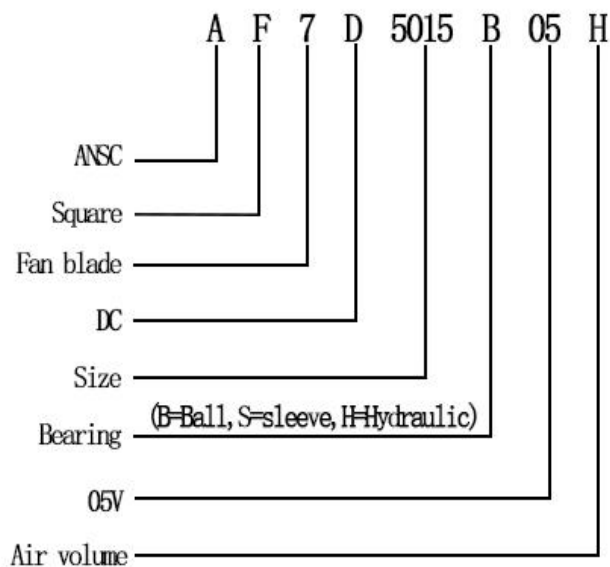
①Bearing Mode:Ball/ Sleeve/Hydraulic/Ball (UL)/Sleeve (UL)Hydraulic (UL)

②X=Function: FG RD RDL LD PWM TP VC RC CS RP SS AS CL IPX5

③A=Plug

④C=Customized by customers: Air volume, Air duct, Movement, Service life, Temperature, Noise, Material, Mold.etc.

导引: 编码规则Code Rule



*PROPRIETARY AND CONFIDENTIAL , THE INFORMATION CONTAINED IN THIS DRAWING IS THE SOLE PROPERTY OF <ALL NEW SEMI>. ANY REPRODUCTION IN PART OR AS A WHOLE WITHOUT THE WRITTEN PERMISSION OF <ALL NEW SEMI> IS PROHIBITED.

<https://allnewsemi.com>
<https://allnewsemi.shop>