



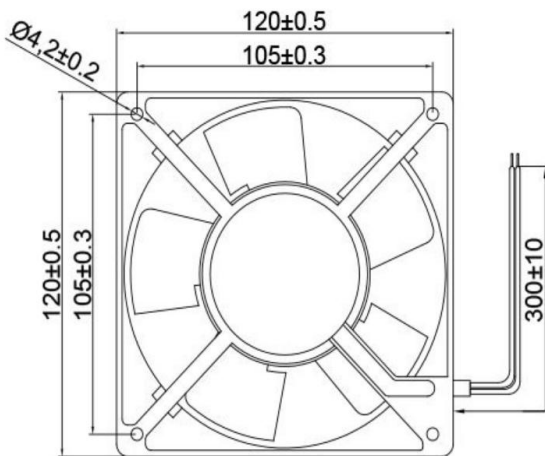
AC BRUSHLESS FAN

AF5A12025B 120*120*25mm

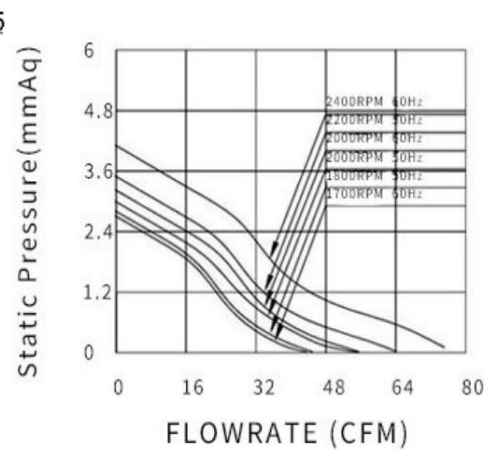
Motor: AC Brushless
 Bearing: Ball
 Shell frame: Aluminium Alloy
 Fan blade: PBT UL94V-0
 Insulation: Class B
 Wire: AWG#26UL1007 (optional)
 PIN1: BLACK WIRE---(-)
 PIN2: RED WIRE---(+)



DIMENSIONS DRAWING(unit:mm)



P@Q CURVE(AT RATED VOLTAGE)



Model	Bearing Mode①	Rated Vol	Operating voltag	Rated current	Rated input power	Speed	Maximum air Flow		Maximum Air pressure		Noise
PART. NO.		VDC	VDC	Amp	Watt	R. P. M	M3/min	CFM	mmH20	InH20	dB-A
AF5A12025B110H	B=Ball S=Sleeve H=Hydraulic	110	100~125	0.19/0.1	19/18	2200/2400	1.86/2.2	66/78	3.56/4.06	0.14/0.1	38/40
AF5A12025B110M		110	100~125	0.16/0.1	16/15	2000/2000	1.64/1.6	58/58	3.0/3.2	0.11/0.1	35/35
AF5A12025B110L		110	100~125	0.13/0.1	14/13	1800/1700	1.41/1.3	50/48	2.78/2.68	0.1/0.1	30/29
AF5A12025B220H		220	220~240	0.09/0.0	19/18	2200/2400	1.86/2.2	66/78	3.56/4.06	0.14/0.1	38/40
AF5A12025B220M		220	220~240	0.07/0.0	16/15	2000/2000	1.64/1.6	58/58	3.0/3.2	0.11/0.1	35/35
AF5A12025B220L		220	220~240	0.05/0.0	14/13	1800/1700	1.41/1.3	50/48	2.78/2.68	0.1/0.1	30/29

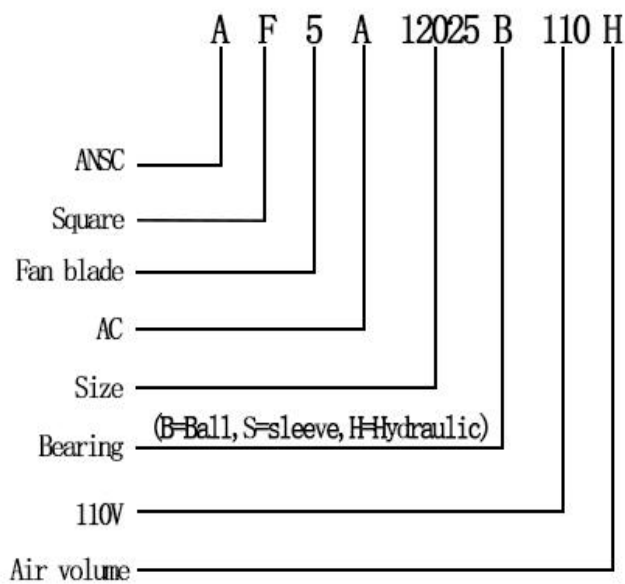
① Bearing Mode: Ball / Sleeve / Hydraulic / Ball (UL) / Sleeve (UL) / Hydraulic (UL)

② X=Function: FG RD RDL LD PWM TP VC RC CS RP SS AS CL IPX5

③ A=Plug

④ C=Customized by customers: Air volume, Air duct, Movement, Service life, Temperature, Noise, Material, Mold. etc.

导引: 编码规则 Code Rule



*PROPRIETARY AND CONFIDENTIAL , THE INFORMATION CONTAINED IN THIS DRAWING IS THE SOLE PROPERTY OF <ALL NEW SEMI>.

ANY REPRODUCTION IN PART OR AS A WHOLE WITHOUT THE WRITTEN PERMISSION OF <ALL NEW SEMI> IS PROHIBITED.

<https://allnewsemi.com>
<https://allnewsemi.shop>