



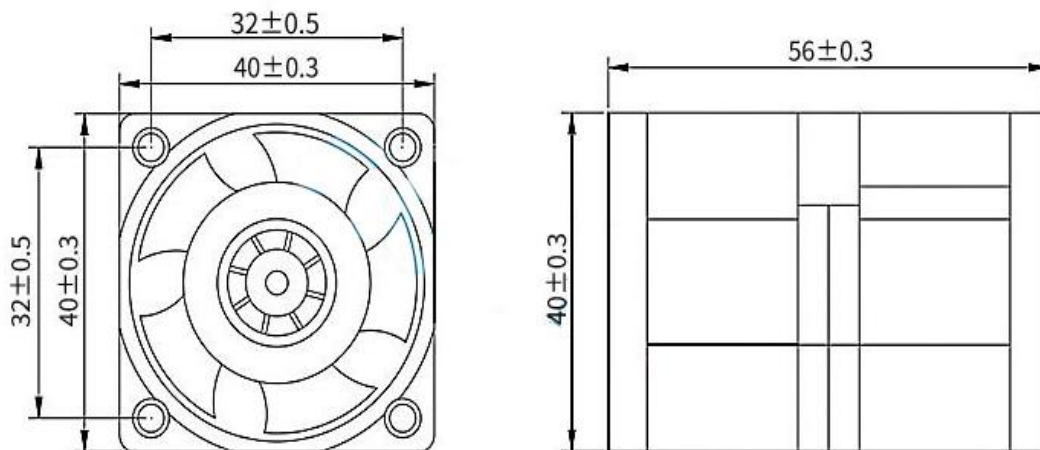
DC BRUSHLESS FAN

AF5D4056B 40*40*56mm

Motor:DC Brushless
 Bearing:Ball、sleeve、Hydraulic
 Shell frame: PBT UL94V-0
 Fan blade: PBT UL94V-0
 Insulation:Class B
 Wire:AWG#26UL1007 (optional)
 PIN1:BLACK WIRE---(-)
 PIN2:RED WIRE---(+)



DIMENSIONS DRAWING(unit:mm)



Model	Bearing Mode①	Rated	Operating	Rated	Rated	Speed	Maximum		Maximum		Noise
		d	voltage	current	input		air	Air	pressure	pressure	
PART. NO.		Volt	range	nt	power	R. P. M	M3/min	CFM	mmH2O	InH2O	dB-A
AF5D4056B12L	B=Ball S=Sleeve H=Hydraulic	12	10.8~13.2	0.52	6.24	14000	0.650	22.95	36.83	1.45	54.0
AF5D4056B12M		12	10.8~13.2	0.6	7.20	15000	0.700	24.72	41.91	1.65	56.0
AF5D4056B12H		12	10.8~13.2	0.9	10.80	16700	0.770	27.19	51.05	2.01	58.0
AF5D4056B12HH		12	10.8~13.2	1.15	13.80	19000	0.870	30.72	64.26	2.53	61.0

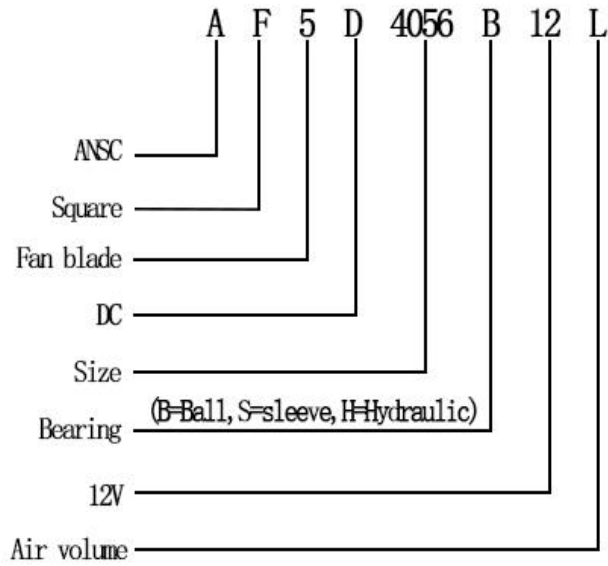
①Bearing Mode:Ball/ Sleeve/Hydraulic/Ball (UL)/Sleeve (UL)Hydraulic (UL)

②X=Function: FG RD RDL LD PWM TP VC RC CS RP SS AS CL IPX5

③A=Plug

④C=Customized by customers: Air volume, Air duct, Movement, Service life, Temperature, Noise, Material, Mold.etc.

导引： 编码规则Code Rule



*PROPRIETARY AND CONFIDENTIAL , THE INFORMATION CONTAINED IN THIS DRAWING IS THE SOLE PROPERTY OF <ALL NEW SEMI>.
ANY REPRODUCTION IN PART OR AS A WHOLE WITHOUT THE WRITTEN PERMISSION OF <ALL NEW SEMI> IS PROHIBITED.

<https://allnewsemi.com>
<https://allnewsemi.shop>