



DC Blower fan

AG4020B 40*40*20mm

Motor:DC

Bearing:Ball、sleeve、Hydraulic

Shell frame: PBT UL94V-0

Fan blade: PBT UL94V-0

Insulation:Class B

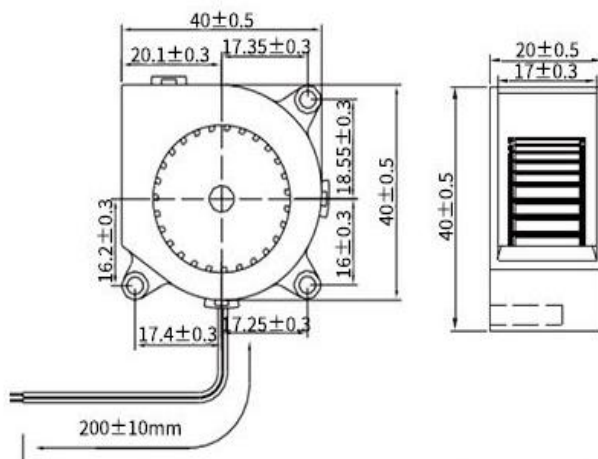
Wire:AWG#26UL1007 (optional)

PIN1:BLACK WIRE---(-)

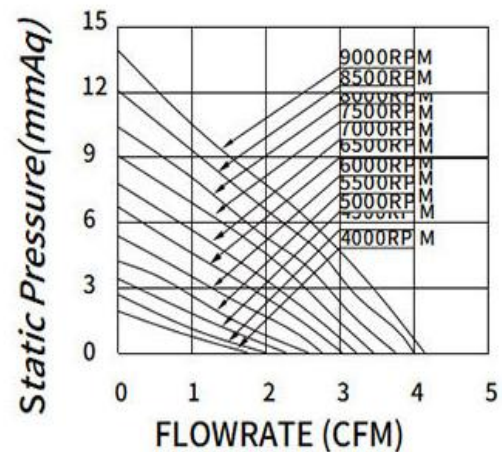
PIN2:RED WIRE---(+)



DIMENSIONS DRAWING(unit:mm)



P@Q CURVE(AT RATED VOLTAGE)



Model	Bearing Mode①	Rated	Operating	Rated	Rated	Speed	Maximum		Maximum		Noise
		Volt	voltage range	current	input power		air Flow	Air pressure	mmH2O	InH2O	
PART. NO.		VDC	VDC	Amp	Watt	R. P. M	M3/min	CFM	mmH2O	InH2O	dB-A
AG4020B05LL	B=Ball S=Sleeve H=Hydraulic	5	1.8~3~6	0.14	0.72	4500	0.057	2.00	2.64	0.104	27.4
AG4020B05L		5	1.8~3~6	0.16	0.80	5000	0.064	2.27	3.35	0.132	30.2
AG4020B05ML		5	1.8~3~6	0.24	1.20	5500	0.073	2.56	4.18	0.165	33.5
AG4020B05LM		5	1.8~3~6	0.29	1.44	6000	0.078	2.75	5.22	0.206	35.7
AG4020B05M		5	1.8~3~6	0.34	1.68	6500	0.087	3.06	6.55	0.258	37.4
AG4020B05H		5	1.8~3~6	0.38	1.92	7500	0.100	3.54	9.13	0.359	40.9

AG4020B12LL	B=Ball S=Sleeve H=Hydraulic	12	7~13.5	0.06	0.72	4500	0.057	2.00	2.64	0.104	27.4
AG4020B12L		12	7~13.5	0.07	0.80	5000	0.064	2.27	3.35	0.132	30.2
AG4020B12ML		12	7~13.5	0.1	1.20	5500	0.073	2.56	4.18	0.165	33.5
AG4020B12LM		12	7~13.5	0.12	1.44	6000	0.078	2.75	5.22	0.206	35.7
AG4020B12M		12	7~13.5	0.14	1.68	6500	0.087	3.06	6.55	0.258	37.4
AG4020B12H		12	7~13.5	0.16	1.92	7500	0.100	3.54	9.13	0.359	40.9
AG4020B12HH		12	7~13.5	0.18	2.16	8500	0.113	4.00	12.16	0.479	44.5
AG4020B24LL		24	18~26.5	0.03	0.72	4500	0.057	2.00	2.64	0.104	27.4
AG4020B24ML		24	18~26.5	0.05	1.20	5500	0.073	2.56	4.18	0.165	33.5
AG4020B24LM		24	18~26.5	0.06	1.44	6000	0.078	2.75	5.22	0.206	35.7
AG4020B24M		24	18~26.5	0.07	1.68	6500	0.087	3.06	6.55	0.258	37.4
AG4020B24H		24	18~26.5	0.08	1.92	7500	0.100	3.54	9.13	0.359	40.9
AG4020B24HH		24	18~26.5	0.09	2.16	8500	0.113	4.00	12.16	0.479	44.5

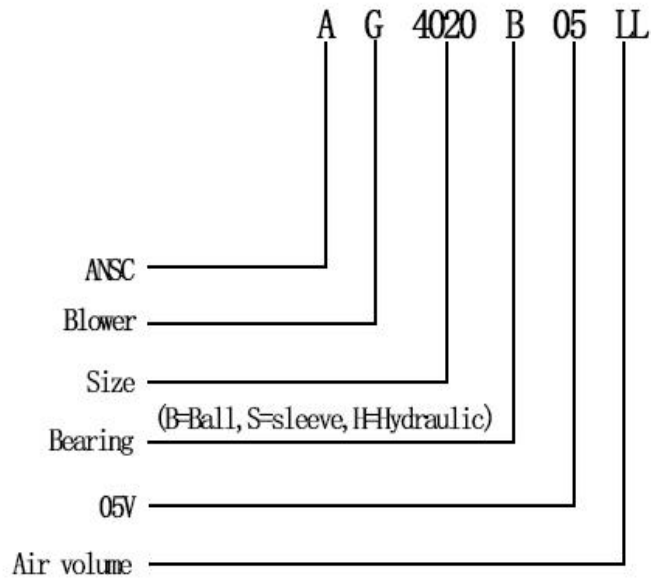
①Bearing Mode:Ball/ Sleeve/Hydraulic/Ball (UL)/Sleeve (UL)Hydraulic (UL)

②X=Function: FG RD RDL LD PWM TP VC RC CS RP SS AS CL IPX5

③A=Plug

④C=Customized by customers: Air volume, Air duct, Movement, Service life, Temperature, Noise, Material, Mold.etc.

导引：编码规则Code Rule



*PROPRIETARY AND CONFIDENTIAL , THE INFORMATION CONTAINED IN THIS DRAWING IS THE SOLE PROPERTY OF <ALL NEW SEMI>. ANY REPRODUCTION IN PART OR AS A WHOLE WITHOUT THE WRITTEN PERMISSION OF <ALL NEW SEMI> IS PROHIBITED.

<https://allnewsemi.com>
<https://allnewsemi.shop>