



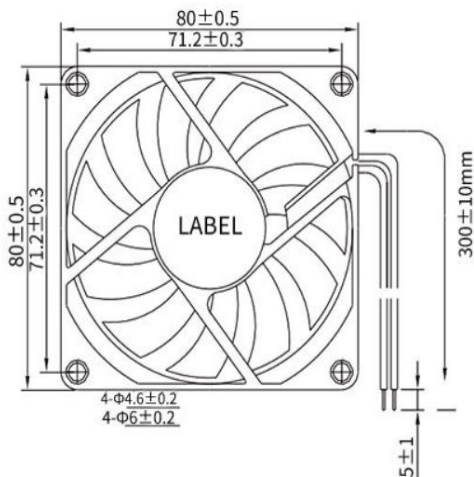
DC BRUSHLESS FAN

AF11D8010B 80*80*10mm

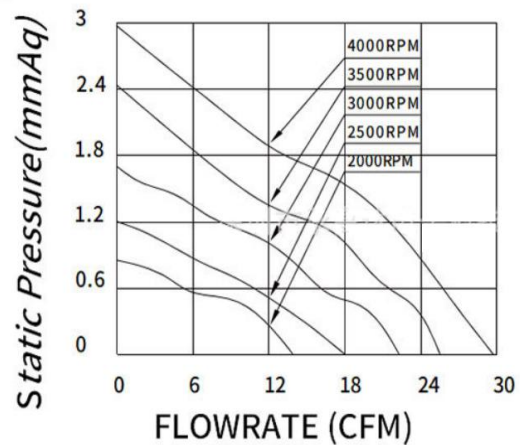
Motor:DC Brushless
 Bearing:Ball、sleeve、Hydraulic
 Shell frame: PBT UL94V-0
 Fan blade: PBT UL94V-0
 Insulation:Class B
 Wire:AWG#26UL1007 (optional)
 PIN1:BLACK WIRE----(-)
 PIN2:RED WIRE----(+)



DIMENSIONS DRAWING(unit:mm)



P@Q CURVE(AT RATED VOLTAGE)



Model	Bearing Mode①	Rate d	Operating	Rated	Rated	Speed	Maximum		Maximum		Noise
		Volt	voltage	current	input		air Flow	Air	pressure	pressure	
PART. NO.		VDC	range	Amp	Walt	R. P. M	M3/min	CFM	mmH2O	InH2O	dB-A
AF11D8010B05VL	B=Ball S=Sleeve H=Hydraulic	5	1.8~3~6	0.144	0.72	2000	0.395	13.90	0.89	0.035	22.9
AF11D8010B12VL		12	1.8~3~13.5	0.06	0.72	2000	0.395	13.90	0.89	0.035	22.9
AF11D8010B12L		12	1.8~3~13.5	0.1	1.20	2500	0.506	17.80	1.20	0.047	26.5
AF11D8010B12M		12	1.8~3~13.5	0.16	1.92	3000	0.619	21.80	1.71	0.067	30.7
AF11D8010B12H		12	1.8~3~13.5	0.22	2.64	3500	0.725	25.60	2.44	0.096	34.9
AF11D8010B24VL		24	18~26.5	0.03	0.72	2000	0.395	13.90	0.89	0.035	22.9
AF11D8010B24L		24	18~26.5	0.05	1.20	2500	0.506	17.80	1.20	0.047	26.5

AF11D8010B24M	B=Ball	24	18~26.5	0.05	1.92	3000	0.619	21.80	1.71	0.067	30.7
AF11D8010B24H	S=Sleeve H=Hydraulic	24	18~26.5	0.11	2.64	3500	0.725	25.60	2.44	0.096	34.9

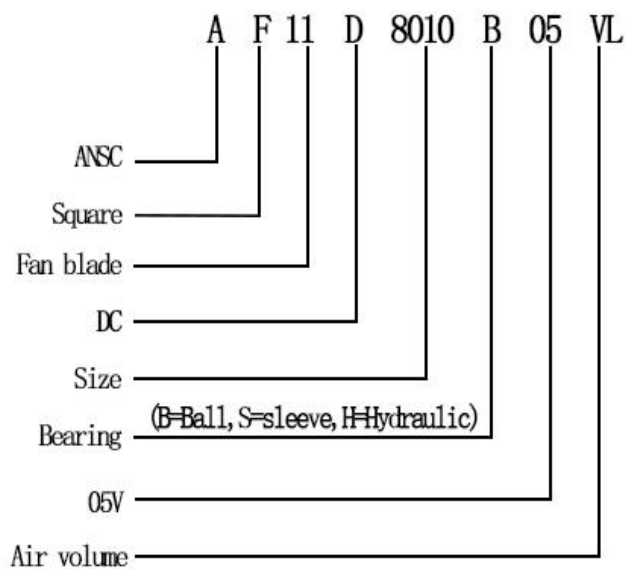
① Bearing Mode: Ball / Sleeve / Hydraulic / Ball (UL) / Sleeve (UL) Hydraulic (UL)

② X=Function: FG RD RDL LD PWM TP VC RC CS RP SS AS CL IPX5

③ A=Plug

④ C=Customized by customers: Air volume, Air duct, Movement, Service life, Temperature, Noise, Material, Mold. etc.

导引: 编码规则 Code Rule



*PROPRIETARY AND CONFIDENTIAL , THE INFORMATION CONTAINED IN THIS DRAWING IS THE SOLE PROPERTY OF <ALL NEW SEMI>.

ANY REPRODUCTION IN PART OR AS A WHOLE WITHOUT THE WRITTEN PERMISSION OF <ALL NEW SEMI> IS PROHIBITED.

<https://allnewsemi.com>
<https://allnewsemi.shop>