



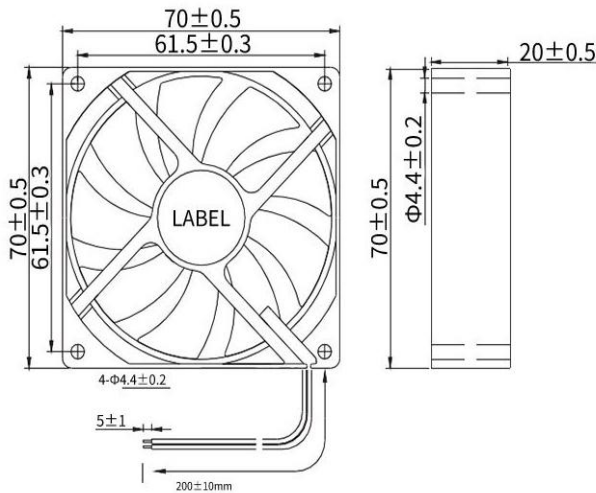
DC BRUSHLESS FAN

AF9D7020B 70*70*20mm

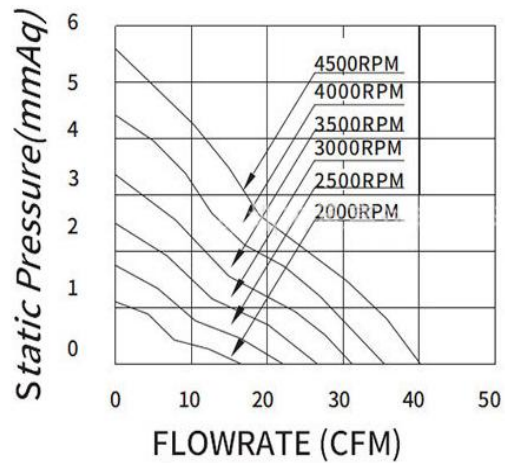
Motor:DC Brushless
 Bearing:Ball、sleeve、Hydraulic
 Shell frame: PBT UL94V-0
 Fan blade: PBT UL94V-0
 Insulation:Class B
 Wire:AWG#26UL1007 (optional)
 PIN1:BLACK WIRE---(-)
 PIN2:RED WIRE---(+)



DIMENSIONS DRAWING(unit:mm)



P@Q CURVE(AT RATED VOLTAGE)



Model	Bearing Mode①	Rate d	Operating	Rated	Rated	Speed	Maximum		Maximum		Noise
		Volt	voltage	current	input		air Flow	Air	pressure	pressure	
PART. NO.		VDC	range	Amp	Walt	R. P. M	M3/min	CFM	mmH2O	InH2O	dB-A
AF9D7020B12LL	B=Ball S=Sleeve H=Hydraulic	12	7~13.5	0.1	1.20	2000	0.472	16.60	1.07	0.042	24.2
AF9D7020B12L		12	7~13.5	0.18	2.16	2500	0.620	21.80	1.78	0.07	25.8
AF9D7020B12M		12	7~13.5	0.27	3.24	3000	0.738	26.00	2.44	0.096	30.4
AF9D7020B12H		12	7~13.5	0.35	4.20	3500	0.882	31.10	3.33	0.131	34.5
AF9D7020B12HH		12	7~13.5	0.42	5.04	4000	1.001	35.30	4.41	0.174	38.3
AF9D7020B12VH		12	7~13.5	0.48	5.76	4500	1.144	40.40	5.69	0.224	42.2
AF9D7020B24LL		24	18~26.5	0.05	1.20	2000	0.472	16.60	1.07	0.042	24.2

AF9D7020B24L	B=Ball S=Sleeve H=Hydraulic	24	18~26.5	0.09	2.16	2500	0.620	21.80	1.78	0.07	25.8
AF9D7020B24M		24	18~26.5	0.135	3.24	3000	0.738	26.00	2.44	0.096	30.4
AF9D7020B24H		24	18~26.5	0.175	4.20	3500	0.882	31.10	3.33	0.131	34.5
AF9D7020B24HH		24	18~26.5	0.21	5.04	4000	1.001	35.30	4.41	0.174	38.3
AF9D7020B24VH		24	18~26.5	0.24	5.76	4500	1.144	40.40	5.69	0.224	42.2

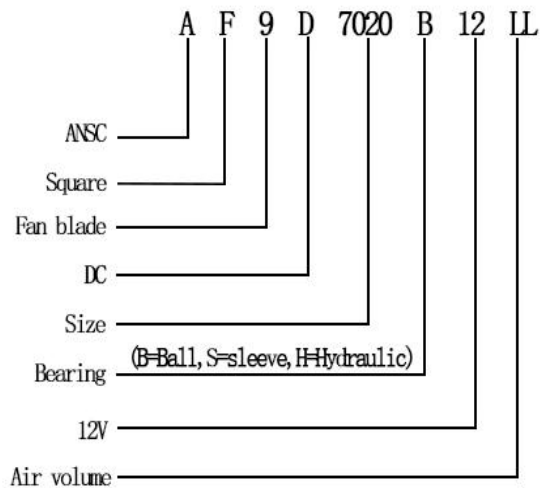
①Bearing Mode:Ball/ Sleeve/Hydraulic/Ball (UL)/Sleeve (UL)Hydraulic (UL)

②X=Function: FG RD RDL LD PWM TP VC RC CS RP SS AS CL IPX5

③A=Plug

④C=Customized by customers: Air volume, Air duct, Movement, Service life, Temperature, Noise, Material, Mold.etc.

导引: 编码规则Code Rule



*PROPRIETARY AND CONFIDENTIAL , THE INFORMATION CONTAINED IN THIS DRAWING IS THE SOLE PROPERTY OF <ALL NEW SEMI>.
ANY REPRODUCTION IN PART OR AS A WHOLE WITHOUT THE WRITTEN PERMISSION OF <ALL NEW SEMI> IS PROHIBITED.

<https://allnewsemi.com>
<https://allnewsemi.shop>