



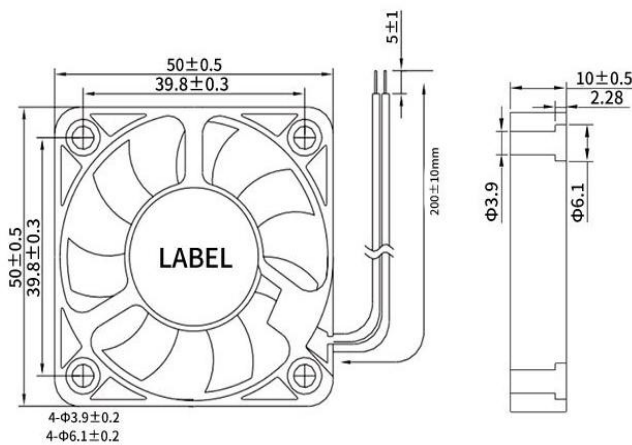
## DC BRUSHLESS FAN

AF7D5010B 50\*50\*10mm

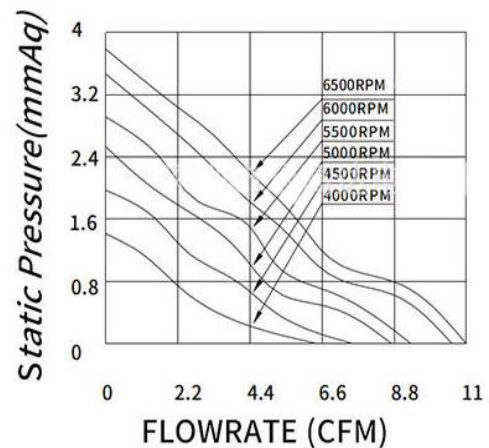
Motor:DC Brushless  
 Bearing:Ball、sleeve、Hydraulic  
 Shell frame: PBT UL94V-0  
 Fan blade: PBT UL94V-0  
 Insulation:Class B  
 Wire:AWG#26UL1007 (optional)  
 PIN1:BLACK WIRE----(-)  
 PIN2:RED WIRE----(+)



DIMENSIONS DRAWING(unit:mm)



P@Q CURVE(AT RATED VOLTAGE)



Model	Bearing Mode①	Rate d	Operating	Rated	Rated	Speed	Maximum		Maximum		Noise
		Volt	voltage	current	input		air Flow	Air	pressure	pressure	
PART. NO.		VDC	range	Amp	Walt	R. P. M	M3/min	CFM	mmH2O	InH2O	dB-A
AF7D5010B05L	B=Ball S=Sleeve H=Hydraulic	5	1.8~3~6	0.072	0.36	4000	0.180	6.34	1.37	0.054	22.1
AF7D5010B05LM		5	1.8~3~6	0.096	0.48	4500	0.216	7.62	1.98	0.078	27.1
AF7D5010B05M		5	1.8~3~6	0.12	0.60	5000	0.245	8.65	2.53	0.099	31.8
AF7D5010B05LH		5	1.8~3~6	0.144	0.72	5500	0.258	9.12	2.92	0.115	35.1
AF7D5010B05H		5	1.8~3~6	0.168	0.84	6000	0.301	10.60	3.45	0.136	37.6
AF7D5010B05HH		5	1.8~3~6	0.19	0.96	6500	0.309	10.90	3.77	0.148	40.0
AF7D5010B12L		12	8.5~13.5	0.03	0.36	4000	0.180	6.34	1.37	0.054	22.1

AF7D5010B12LM	B=Ball S=Sleeve H=Hydraulic	12	8.5~13.5	0.04	0.48	4500	0.216	7.62	1.98	0.078	27.1
AF7D5010B12M		12	8.5~13.5	0.05	0.60	5000	0.245	8.65	2.53	0.099	31.8
AF7D5010B12LH		12	8.5~13.5	0.06	0.72	5500	0.258	9.12	2.92	0.115	35.1
AF7D5010B12H		12	8.5~13.5	0.07	0.84	6000	0.301	10.60	3.45	0.136	37.6
AF7D5010B12HH		12	8.5~13.5	0.08	0.96	6500	0.309	10.90	3.77	0.148	40.0

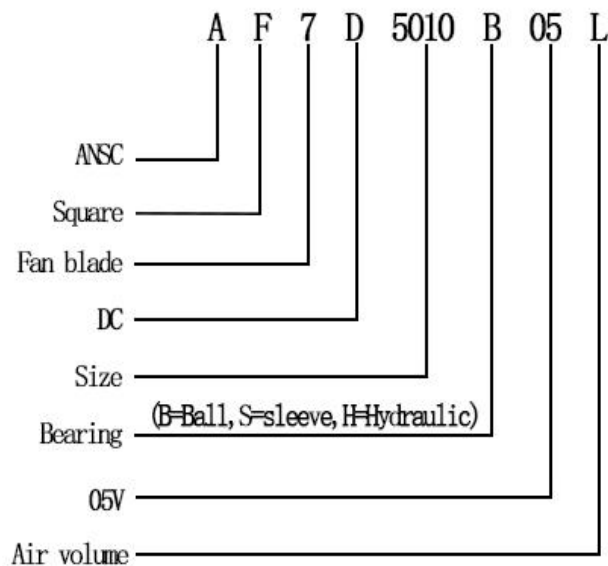
①Bearing Mode:Ball/ Sleeve/Hydraulic/Ball (UL)/Sleeve (UL)Hydraulic (UL)

②X=Function: FG RD RDL LD PWM TP VC RC CS RP SS AS CL IPX5

③A=Plug

④C=Customized by customers: Air volume, Air duct, Movement, Service life, Temperature, Noise, Material, Mold.etc.

导引: 编码规则Code Rule



**\*PROPRIETARY AND CONFIDENTIAL , THE INFORMATION CONTAINED IN THIS DRAWING IS THE SOLE PROPERTY OF <ALL NEW SEMI>.**  
**ANY REPRODUCTION IN PART OR AS A WHOLE WITHOUT THE WRITTEN PERMISSION OF <ALL NEW SEMI> IS PROHIBITED.**

<https://allnewsemi.com>  
<https://allnewsemi.shop>