



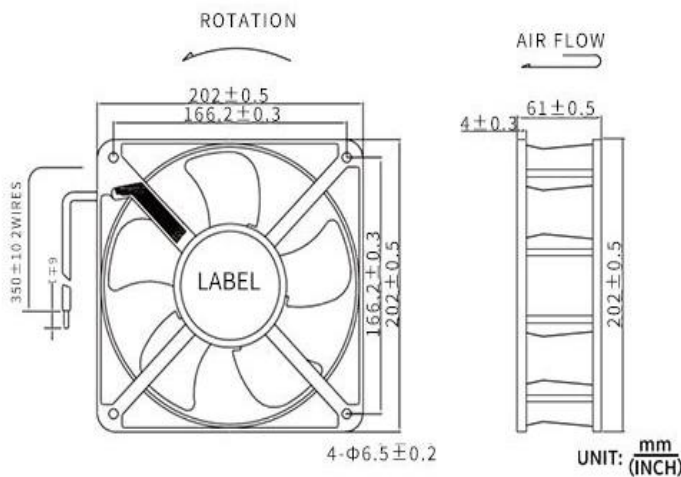
## EC Brushless FAN

AF5E20060B 200\*200\*60mm

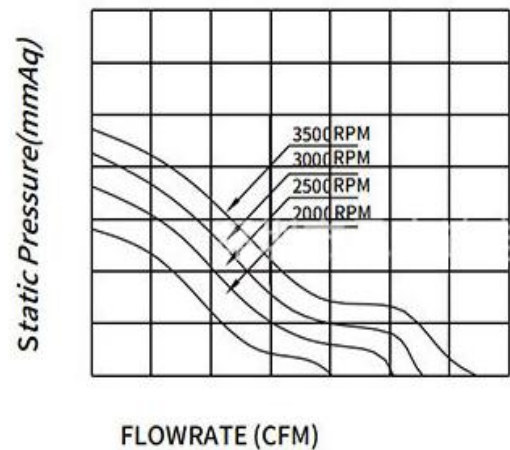
Motor: EC Brushless  
 Bearing: Ball, sleeve, Hydraulic  
 Shell frame: PBT UL94V\_0  
 Fan blade: PBT UL94V\_0  
 Insulation: Class B  
 Wire: AWG#26UL1007 (optional)  
 PIN1: BLACK WIRE---(-)  
 PIN2: RED WIRE---(+)



**DIMENSIONS DRAWING(unit:mm)**



**P@Q CURVE(AT RATED VOLTAGE)**



Model	Bearing Mode①	Rated Vol	Freque ncy	Rated current	Rated input power	Speed	Maximum air Flow		Maximum Air pressure		Noise
		VDC	VDC	Amp	Watt		R. P. M	M3/min	CFM	mmH2O	
PART. NO.		VDC	VDC	Amp	Watt	R. P. M	M3/min	CFM	mmH2O	InH2O	dB-A
AF5E20060B220M	B=Ball S=Sleeve H=Hydraulic	220	80~230	0.2	44	2000	11.38	400.58	6.65	0.262	54.6
AF5E20060B220H		220	80~230	0.3	66	2500	14.585	513.39	12.15	0.478	60
AF5E20060B220H		220	80~230	0.37	81.4	3000	16.673	586.69	17.28	0.68	63.6

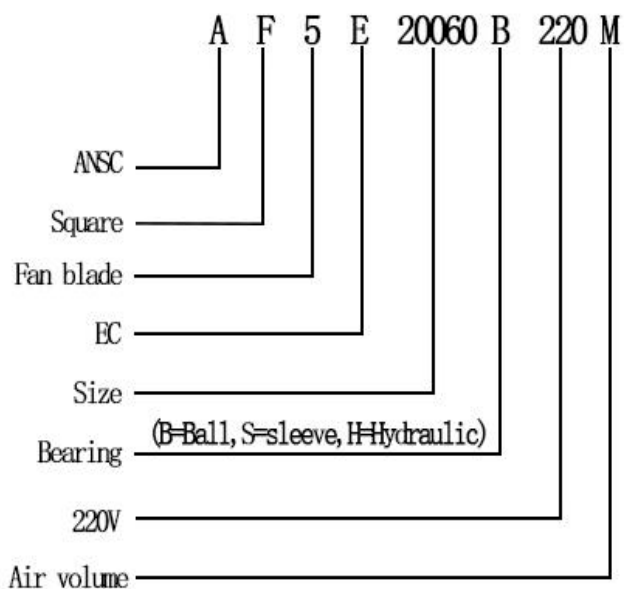
①Bearing Mode: Ball/ Sleeve/Hydraulic/Ball (UL)/Sleeve (UL)/Hydraulic (UL)

②X=Function: FG RD RDL LD PWM TP VC RC CS RP SS AS CL IPX5

③A=Plug

④C=Customized by customers: Air volume, Air duct, Movement, Service life, Temperature, Noise, Material, Mold. etc.

导引：编码规则Code Rule



\*PROPRIETARY AND CONFIDENTIAL , THE INFORMATION CONTAINED IN THIS DRAWING IS THE SOLE PROPERTY OF <ALL NEW SEMI>. ANY REPRODUCTION IN PART OR AS A WHOLE WITHOUT THE WRITTEN PERMISSION OF <ALL NEW SEMI> IS PROHIBITED.

<https://allnewsemi.com>  
<https://allnewsemi.shop>