



DC Blower fan

AG5025B 50*50*25mm

Motor:DC

Bearing:Ball、sleeve、Hydraulic

Shell frame: PBT UL94V-0

Fan blade: PBT UL94V-0

Insulation:Class B

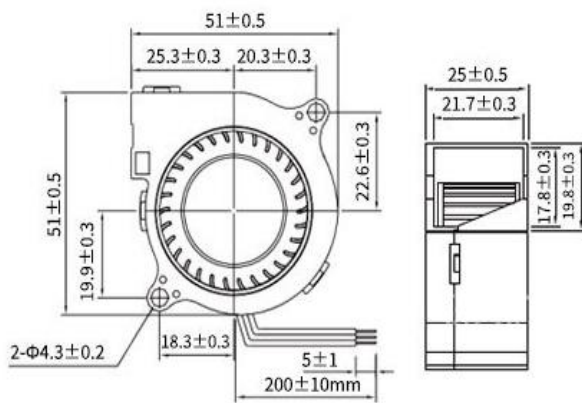
Wire:AWG#26UL1007 (optional)

PIN1:BLACK WIRE---(-)

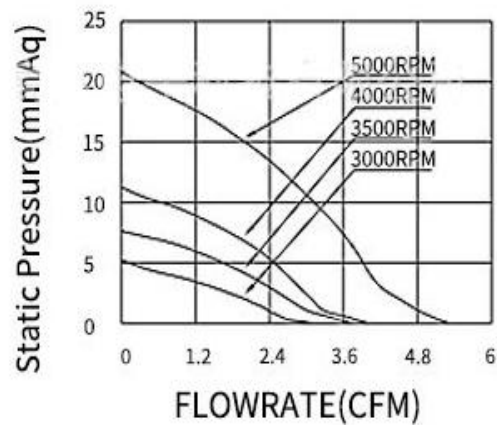
PIN2:RED WIRE---(+)



DIMENSIONS DRAWING(unit:mm)



P@Q CURVE(AT RATED VOLTAGE)



Model	Bearing Mode①	Rated	Operating	Rated	Rated	Speed	Maximum		Maximum		Noise
		Volt	voltage range	current	input power		air Flow	Air pressure	mmH2O	InH2O	
PART. NO.		VDC	VDC	Amp	Watt	R. P. M	M3/min	CFM	mmH2O	InH2O	dB-A
AG5025B05L	B=Ball S=Sleeve H=Hydraulic	5	3.6~6.8	0.16	0.80	3000	0.087	3.09	5.22	0.599	34.5
AG5025B05M		5	3.6~6.8	0.22	1.10	3500	0.105	3.73	7.62	0.301	37.5
AG5025B05H		5	3.6~6.8	0.35	1.75	4000	0.113	3.99	11.24	0.442	40.3
AG5025B05HH		5	3.6~6.8	0.63	3.15	5000	0.151	5.30	20.80	0.819	46.2
AG5025B12L		12	7.5~13.5	0.07	0.84	3000	0.087	3.09	5.22	0.599	34.5
AG5025B12M		12	7.5~13.5	0.1	1.20	3500	0.105	3.73	7.62	0.301	37.5

AG5025B12H	B=Ball S=Sleeve H=Hydraulic	12	7.5~13.5	0.15	1.80	4000	0.113	3.99	11.24	0.442	40.3
AG5025B12HH		12	7.5~13.5	0.26	3.12	5000	0.151	5.30	20.80	0.819	46.2
AG5025B24L		24	18~26.5	0.035	0.84	3000	0.087	3.09	5.22	0.599	34.5
AG5025B24M		24	18~26.5	0.05	1.20	3500	0.105	3.73	7.62	0.301	37.5
AG5025B24H		24	18~26.5	0.075	1.80	4000	0.113	3.99	11.24	0.442	40.3
AG5025B24HH		24	18~26.5	0.13	3.12	5000	0.151	5.30	20.80	0.819	46.2

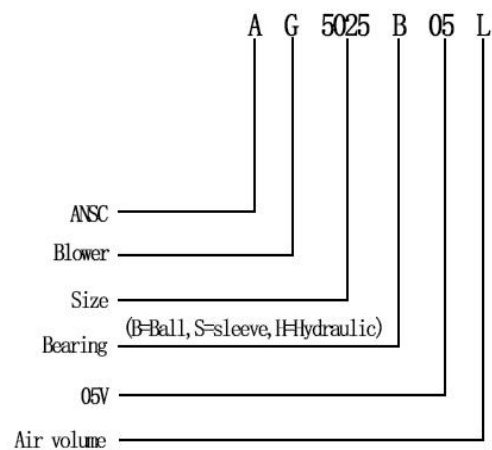
①Bearing Mode:Ball/ Sleeve/Hydraulic/Ball (UL)/Sleeve (UL)Hydraulic (UL)

②X=Function: FG RD RDL LD PWM TP VC RC CS RP SS AS CL IPX5

③A=Plug

④C=Customized by customers: Air volume, Air duct, Movement, Service life, Temperature, Noise, Material, Mold.etc.

导引: 编码规则Code Rule



*PROPRIETARY AND CONFIDENTIAL , THE INFORMATION CONTAINED IN THIS DRAWING IS THE SOLE PROPERTY OF <ALL NEW SEMI>. ANY REPRODUCTION IN PART OR AS A WHOLE WITHOUT THE WRITTEN PERMISSION OF <ALL NEW SEMI> IS PROHIBITED.

<https://allnewsemi.com>
<https://allnewsemi.shop>